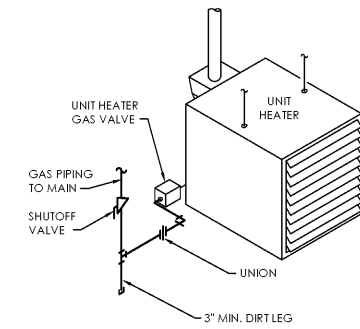
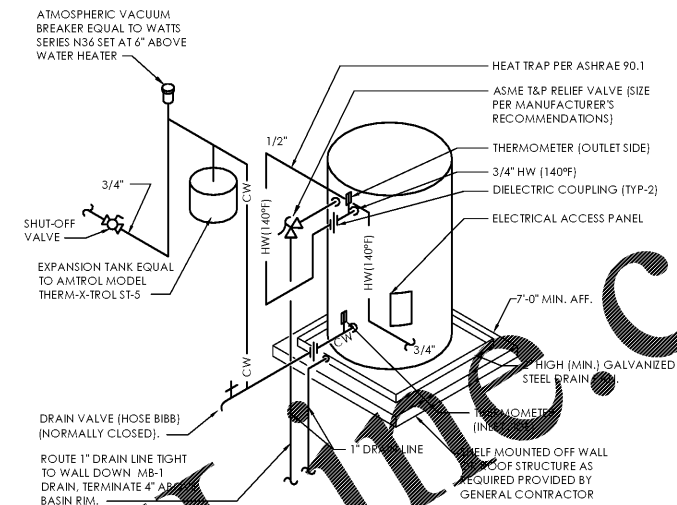


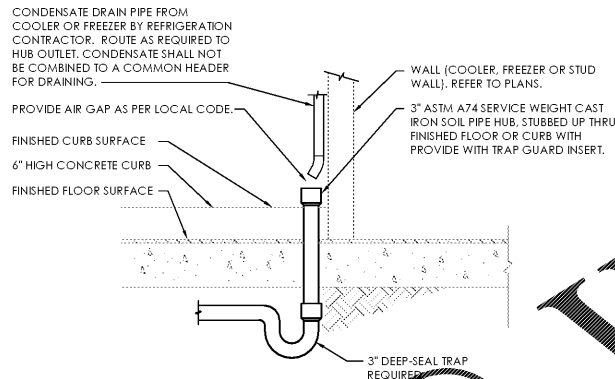
C3 Sump Pit and Pump Detail
SCALE: NONE



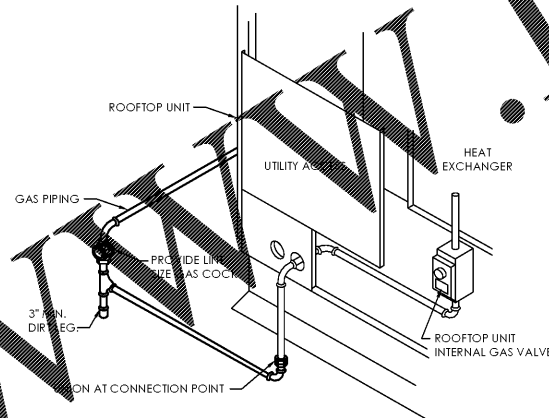
B3 Unit Heater Gas Piping Detail
SCALE: NONE



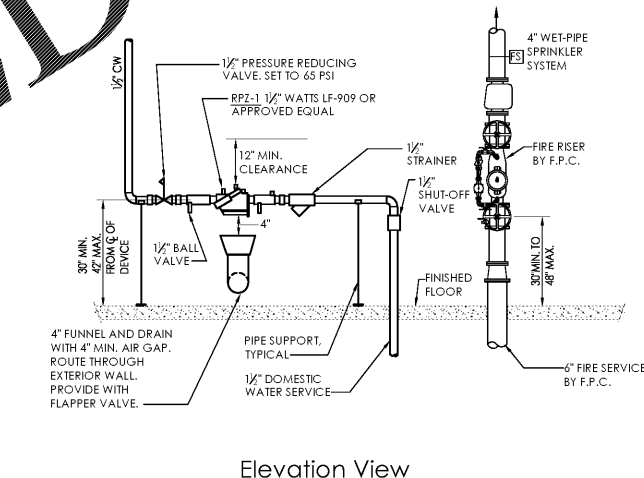
A3 Water Heater Piping Diagram
SCALE: NONE



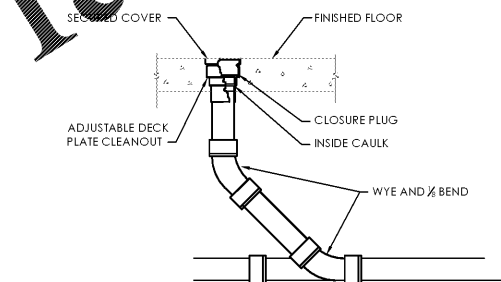
C2 Back Room Condensate Drain Connection Detail
SCALE: NONE



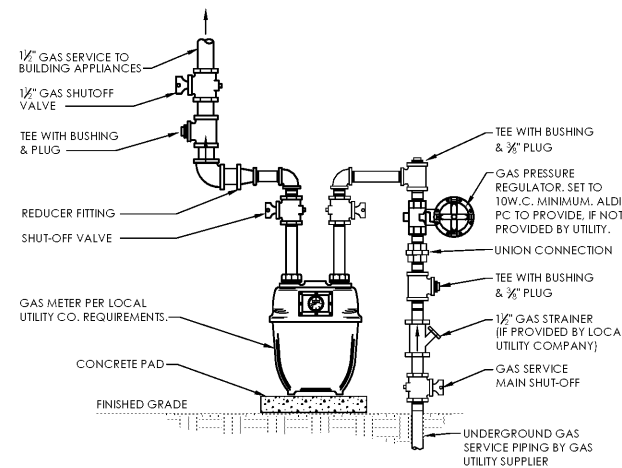
B2 Rooftop Unit Gas Piping Detail
SCALE: NONE



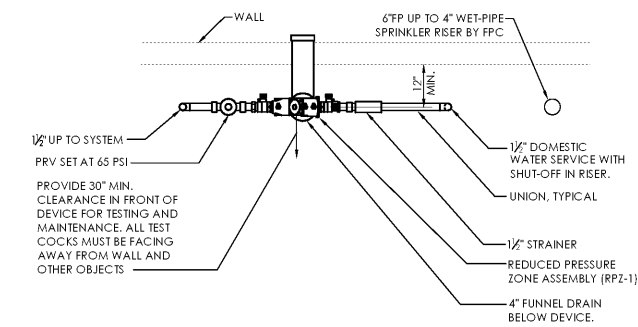
Elevation View



C1 Deck Plate Cleanout Detail
SCALE: NONE



B1 Gas Service Detail
SCALE: N.T.S.



Plan View

Detail Notes

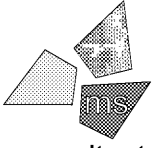
1. RPZ SHALL BE ADEQUATELY SUPPORTED TO PREVENT LATERAL MOVEMENT. PIPE HANGERS, BRACES, SADDLES, PIERS, ECT., SHOULD BE USED TO SUPPORT THE RPZ AND SHOULD BE PLACED IN A MANNER THAT WILL NOT OBSTRUCT THE FUNCTION OF, OR INTERFERE WITH ACCESS TO THE RPZ.
2. LOCATION OF RPZ SHALL BE HEATED AND WELL LIGHTED.
3. PROVIDE THE FOLLOWING CLEARANCES AROUND THE BACKFLOW PREVENTION DEVICE:
12\"/>

A1 Water Service Detail
SCALE: N.T.S.

Issued:	Date:
A Client Review Set	04/07/17
B Permit Set	04/07/17
C Bid Set	09/05/17
D	

Revisions:	Date:
1	
2	
3	
4	
5	
6	
7	
8	
9	

DO NOT SCALE PLANS
Copying, Printing, Software and other processes required to produce these prints on stretch or shrink the actual paper or layout. Therefore, scaling of this drawing may be inaccurate. Contact us consultants with any need for additional dimensions or clarifications.



ms consultants, inc.
engineers, architects, planners
2221 Schrock Road
Columbus, Ohio 43229-1547
phone 614.898.7100
fax 614.898.7570

DRAWN BY: ZRD
REVIEWED BY: KFF/DED

PROFESSIONAL OF RECORD:
DANIEL E. DOWLER No 0402054658
EXP. DATE: 02/28/2019



ALDI Inc. Store #: 161
VA Beach Blvd & Thalia
4220 Virginia Beach Blvd
Virginia Beach, VA 23452
Willis Wayside
Project Name & Location:

Plumbing Details	
Drawing Name:	
Prototype Rls. 02/08/17	Project No. 40320-40
Type: RHSD-V7	
	P-401
Scale: As Noted	Drawing No.

Order Plans