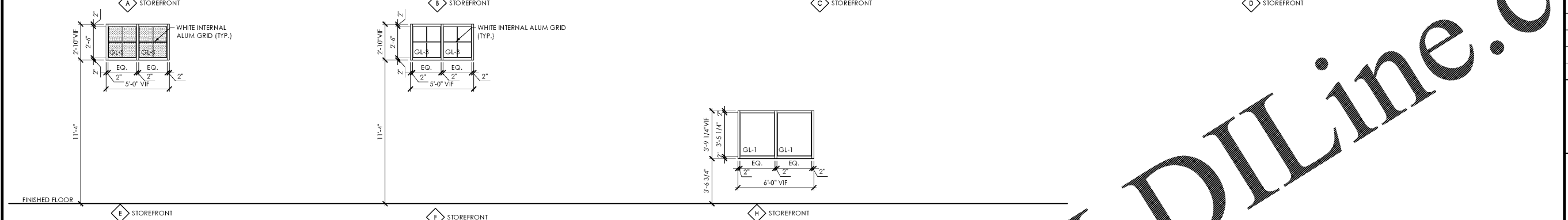
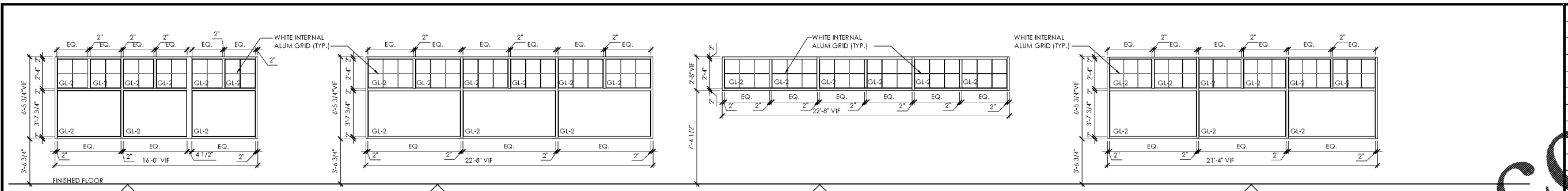
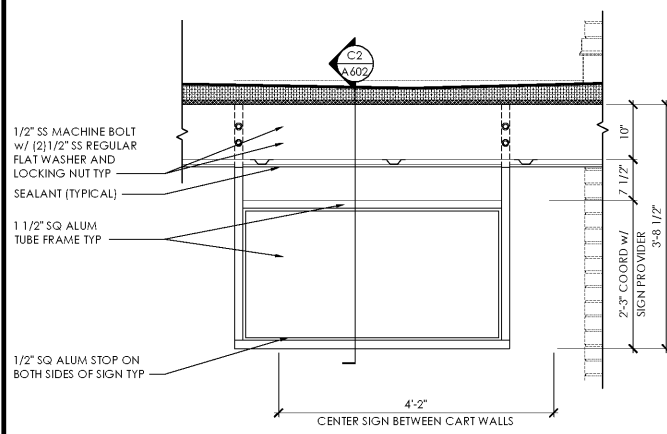


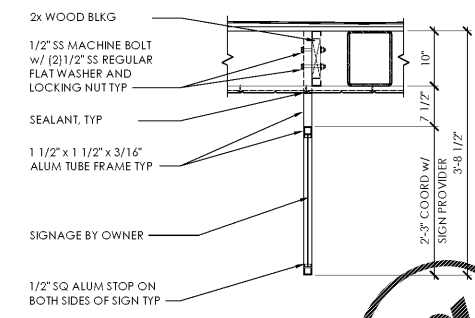
PLOTTED: 9/1/2017 1:31 PM



D3 Window Types
SCALE: 1/4" = 1'-0"

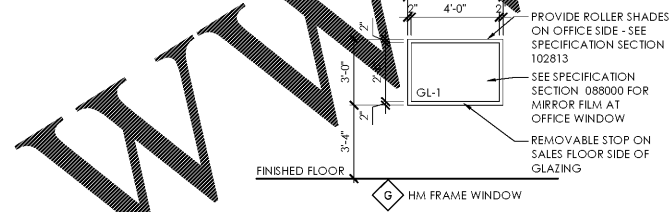


D2 Quarter Cart Sign Frame
SCALE: 1/4" = 1'-0"



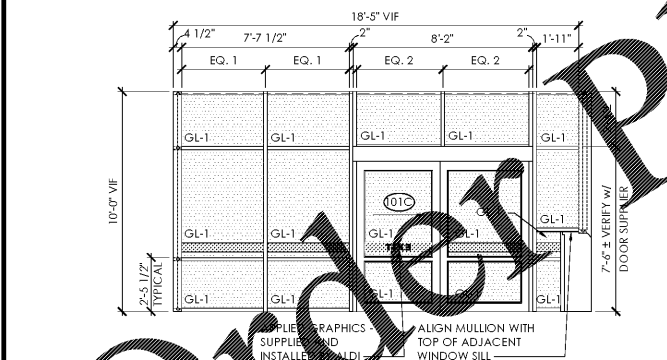
C2 Quarter Cart Sign Frame
SCALE: 1/4" = 1'-0"

B2 Office
SCALE: 1/4" = 1'-0"

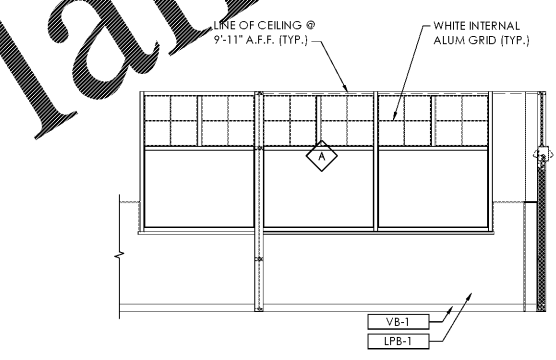


NOTE:
1. ALUMINUM FRAMING 1 3/4" (2" INSULATED) X 4 1/2" AND 4 1/2" X 4 1/2" (SEE PLAN).
2. SEE SPEC FOR GLASS TYPES
3. ALL STOREFRONT DIMENSIONS TO BE VERIFIED IN FIELD AND ADJUSTED AS NEEDED
4. SHADED GLAZED PANES TO BE SAFETY (TEMPERED) GLASS - SEE SPEC SECTION 088000.

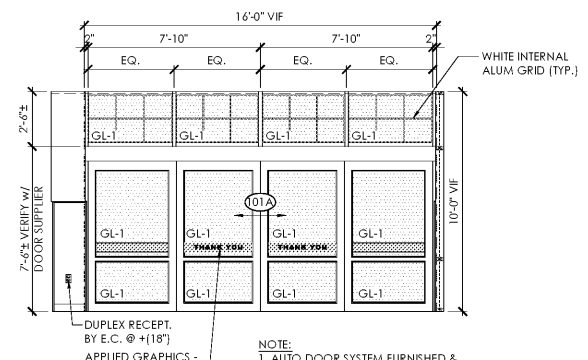
| GLAZING SCHEDULE: | | | |
|-------------------|-------------------------------------|-------------------------|-------------------------------------|
| MAT. KEY | KEY DESCRIPTION | DESCRIPTION - COLOR | REMARKS |
| GL-1 | FULLY TEMPERED FLOAT GLASS | CLEAR | SEE PROJECT MANUAL - SECTION 088000 |
| GL-2 | LOW E. INSULATING GLASS | CLEAR | SEE PROJECT MANUAL - SECTION 088000 |
| GL-3 | LOW E. INSULATING GLASS (1ST AISLE) | TINTED | SEE PROJECT MANUAL - SECTION 088000 |
| GL-5 | SILICONE-COATED SPANDREL GLASS | COLOR SELECTED BY OWNER | SEE PROJECT MANUAL - SECTION 088000 |



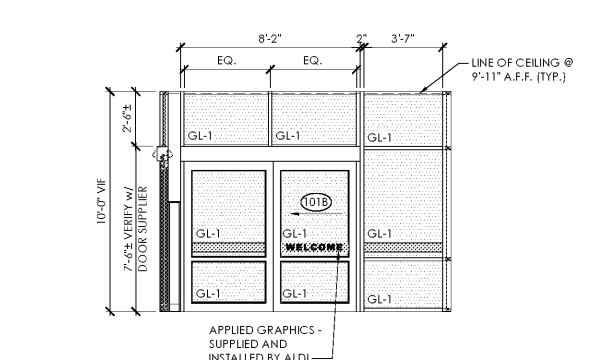
D1 Vestibule
SCALE: 1/4" = 1'-0"



C1 Vestibule
SCALE: 1/4" = 1'-0"



B1 Vestibule
SCALE: 1/4" = 1'-0"



A1 Vestibule
SCALE: 1/4" = 1'-0"

WWW.LDILine.com

| Issued: | Date: |
|---------------------|----------|
| A Client Review Set | 04/07/17 |
| B Permit Set | 04/07/17 |
| C Bid Set | 09/05/17 |
| D | |

| Revisions: | Date: |
|------------|-------|
| 1 | |
| 2 | |
| 3 | |
| 4 | |
| 5 | |
| 6 | |
| 7 | |
| 8 | |
| 9 | |

DO NOT SCALE PLANS
Copying, Printing, Software and other processes required to produce these prints on stretch or shrink the actual paper or layout. Therefore, scaling of this drawing may be inaccurate. Contact us consultants with any need for additional dimensions or clarifications.

ms consultants, inc.
engineers, architects, planners
2221 Schrock Road
Columbus, Ohio 43229-1547
phone 614.898.7100
fax 614.898.7570

DRAWN BY: MYG
REVIEWED BY: MJB/CLR

Seal

PROFESSIONAL OF RECORD:
ERIC ELIZONDO No. 0401016074
EXP. DATE: 06/30/2018

ALDI Inc.
1985 Old Union Church Road
Salisbury, NC 28146
(704) 642-0023
(704) 642-0078 fax

ALDI Inc. Store #: 161
VA Beach Blvd & Thalia
4220 Virginia Beach Blvd
Virginia Beach, VA 23452
Willis Wayside
Project Name & Location:

| Window Elevations & Details | |
|-----------------------------|----------------------|
| Drawing Name: | |
| Prototype Rls. 02/08/17 | Project No. 40320-40 |
| Type: RHSD-V7 | |
| | A-602 |
| Scale: As Noted | Drawing No. |