

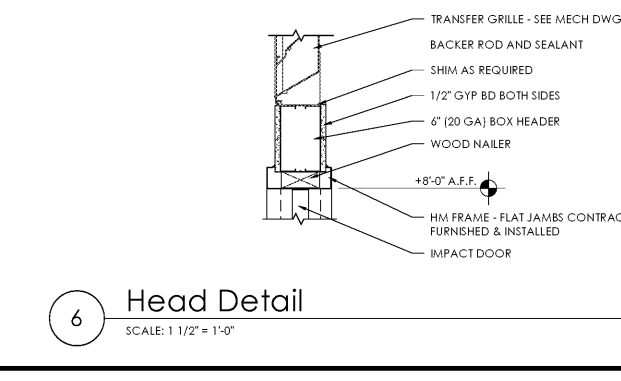
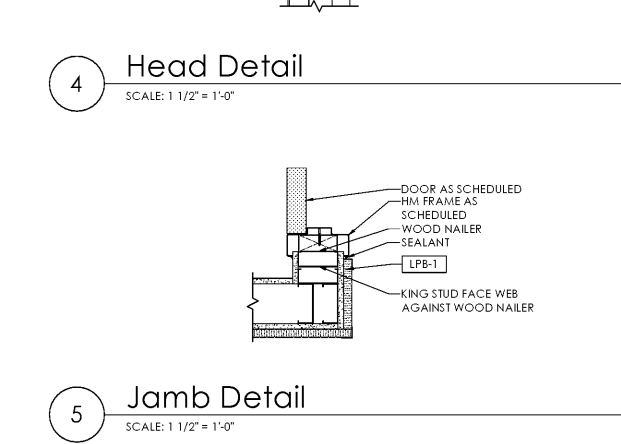
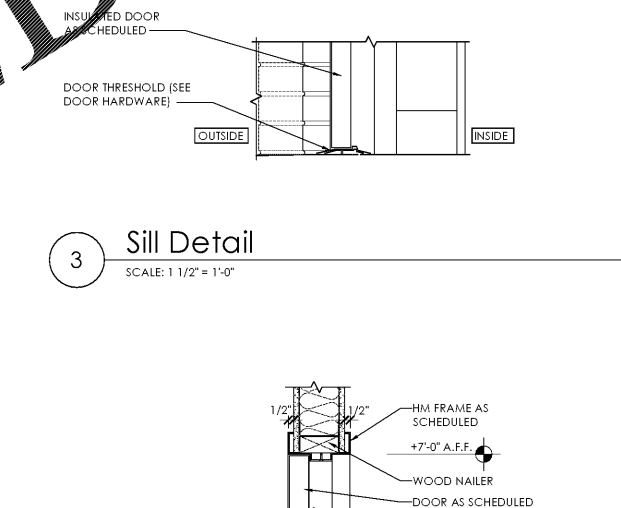
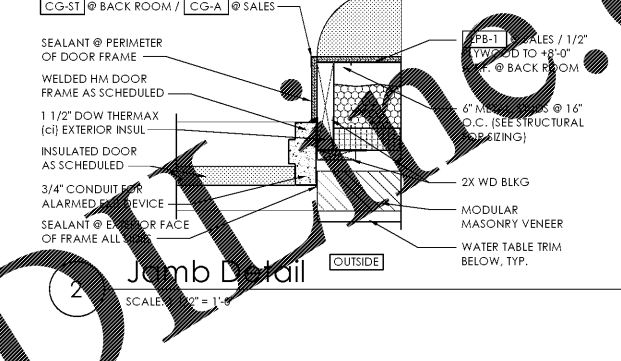
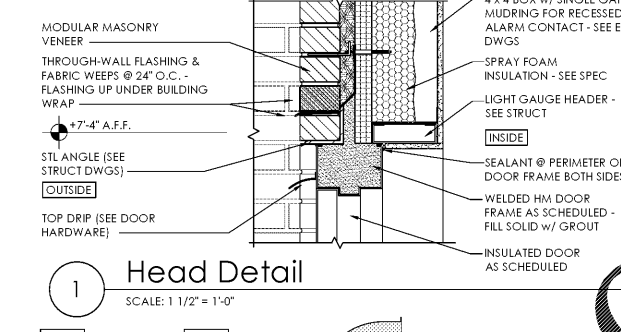
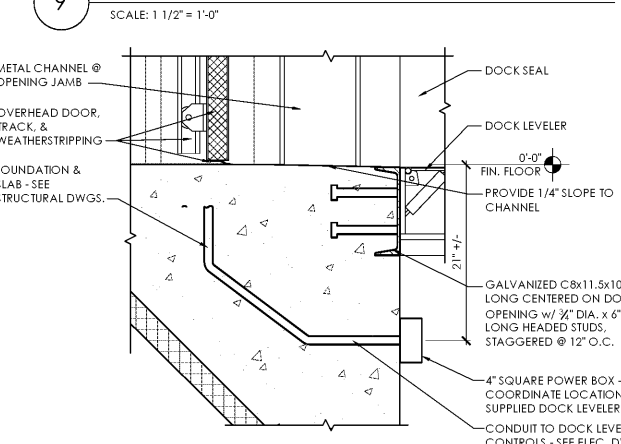
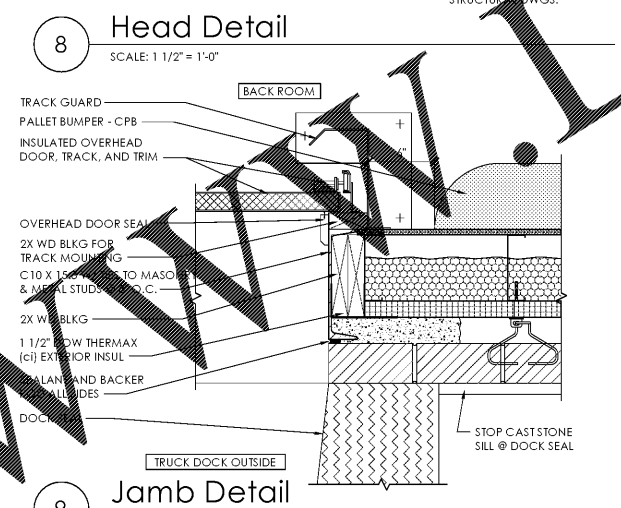
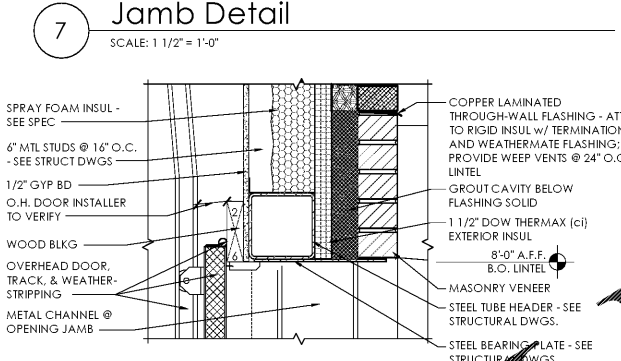
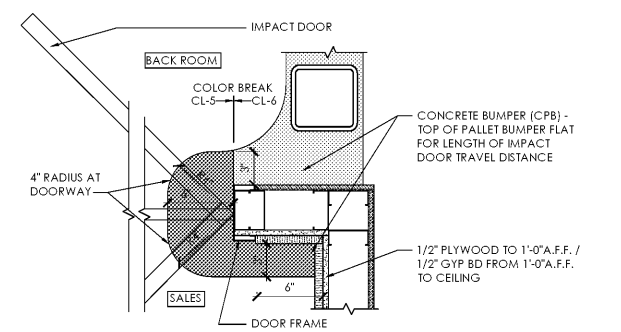
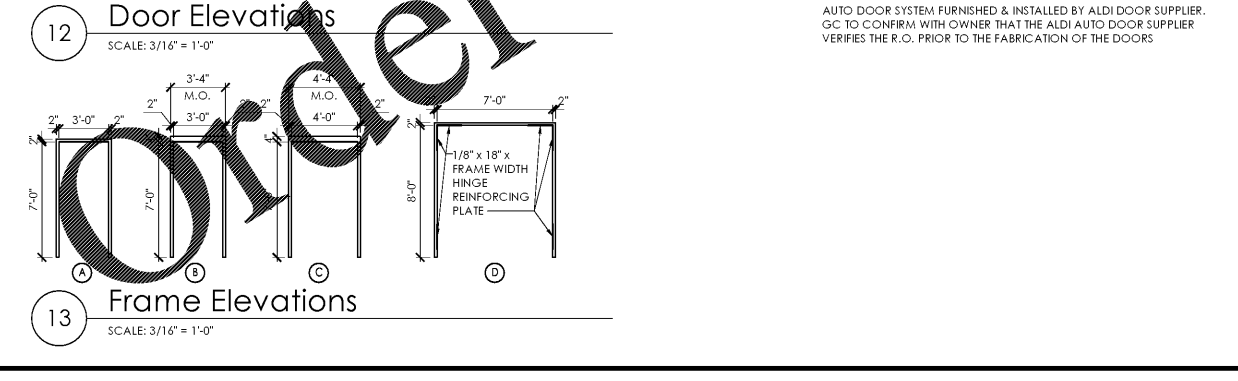
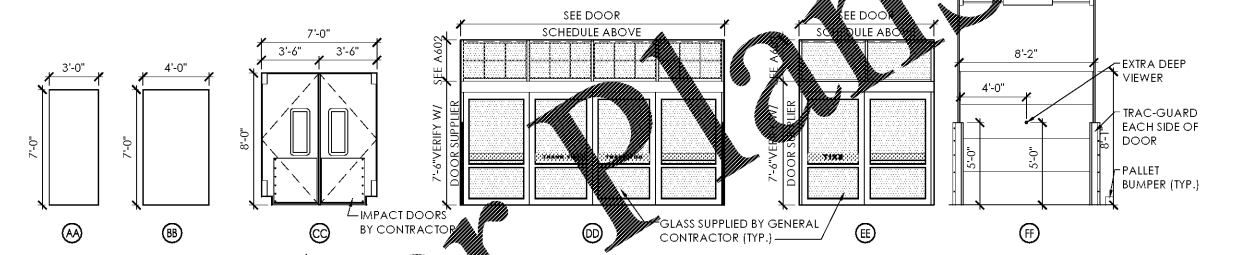
DOOR NO.	DOOR			FRAME				H.D.W. GROUP	DETAIL			REMARK	DOOR NO.	ROOM NAME			
	WIDTH	HEIGHT	THICK.	ELEV.	MAT.	FIN.	FIRE LABEL		ELEV.	MAT.	FIN.				FIRE LABEL	HEAD	JAMB
101A	+/- 16'-0" V.I.F.	7'-6"	--	DD	ALUM.	--	--	ALUM.	--	--	100	--	--	C1/A501	DOOR ELEVATIONS ON THIS SHEET. SEE SHEET A504 FOR JAMB DETAILS - FIXED SIDELIGHT PANEL SHALL MAKE UP DIFFERENCE IN MASONRY OPENINGS; DOORS WILL HAVE 1/2" THRESHOLD TO COMPENSATE FOR THICKNESS OF ENTRY MAT.	101A	VESTIBULE
101B	+/- 8'-2" V.I.F.	7'-6"	--	EE	ALUM.	--	--	ALUM.	--	--	100	--	--	C1/A501		101B	VESTIBULE
101C	+/- 8'-2" V.I.F.	7'-6"	--	EE	ALUM.	--	--	ALUM.	--	--	100	--	--	C1/A501		101C	VESTIBULE
102A	7'-0"	8'-0"	1 1/2"	CC	POLY	--	--	D	H.M.	1	--	SEE REMARK	6/A601	7/A601	A2/A513	102A	SALES
102B	4'-0"	7'-0"	1 3/4"	BB	H.M.	1/2	--	C	H.M.	1/2	--	500	1/A601	2/A601	3/A601	102B	SALES
103	3'-0"	7'-0"	1 3/4"	AA	H.M.	1	--	A	H.M.	1	--	200	4/A601	5/A601	--	103	WOMENS
105	3'-0"	7'-0"	1 3/4"	AA	H.M.	1	--	A	H.M.	1	--	200	4/A601	5/A601	--	105	MENS
106	3'-0"	7'-0"	1 3/4"	AA	H.M.	1	--	A	H.M.	1	--	401	4/A601	5/A601	--	106	BREAK ROOM
107	3'-0"	7'-0"	1 3/4"	AA	H.M.	1	--	A	H.M.	1	--	400	4/A601	5/A601	--	107	OFFICE
109A	3'-0"	7'-0"	1 3/4"	AA	H.M.	1/2	--	B	H.M.	1/2	--	600	1/A601	2/A601	3/A601	109A	BACK ROOM
109B	8'-2"	8'-1"	--	FF	STL.	3/2	--	--	--	3/2	--	SEE REMARK	8/A601	9/A601	10/A601	109B	BACK ROOM
109C	3'-0"	7'-0"	1 3/4"	AA	H.M.	1/2	--	B	H.M.	1/2	--	500	1/A601	2/A601	3/A601	109C	BACK ROOM
109D	3'-0"	7'-0"	1 3/4"	AA	H.M.	1	--	A	H.M.	1	--	300	4/A601	5/A601	--	109D	BACK ROOM

LEGEND	
H.M.	HOLLOW METAL
ALUM.	ANODIZED ALUMINUM
POLY	POLYETHYLENE

KEYNOTES - FINISHES (SEE A-603 COLOR/MATERIAL SCHEDULE)		
1	PF-3 / CL-5	SEMIGLOSS - INTERIOR SIDE
2	PF-19 / CL-5	SEMIGLOSS - EXTERIOR SIDE
3	PREFINISHED	WHITE - INTERIOR SIDE

DOOR HARDWARE SET NO. 100				
DOOR NO. 101A, 101B, 101C; PROVIDED BY OWNER.				
DOOR HARDWARE SET NO. 200				
DOOR NO. 103, 105; MENS & WOMENS; EACH TO HAVE THE FOLLOWING:				
No.	Item	Description	Manufacturer	Finish
3	HINGES	FBB179-NRP	STANLEY HARDWARE (STH)	626
1	PRIVACY LOCK	ND405	SCHLAGE (SCH)	626
1	CLOSER	8501-BF-AL	NORTON DOOR (NDC)	AL
1	WALL STOP	402-1/2	IVES (IVS)	AL
1	12"H. PROTECTIVE PLATE	8400	IVES (IVS)	630
DOOR HARDWARE SET NO. 300				
DOOR NO. 109D; UTILITY AREA TO HAVE THE FOLLOWING:				
No.	Item	Description	Manufacturer	Finish
4	HINGES	FBB179-NRP	STANLEY HARDWARE (STH)	626
1	STOREROOM LOCK	ND80BDC	SCHLAGE (SCH)	626
1	CLOSER W/ HOLD OPEN	1601H	NORTON DOOR (NDC)	AL
1	WALL STOP	402-1/2	IVES (IVS)	AL
1	42"H. PROTECTIVE PLATE	8400	IVES (IVS)	630
DOOR HARDWARE SET NO. 400				
DOOR NO. 107; OFFICE TO HAVE THE FOLLOWING:				
No.	Item	Description	Manufacturer	Finish
3	HINGES	FBB179-NRP	STANLEY HARDWARE (STH)	626
1	STOREROOM LOCK	ND80BDC	SCHLAGE (SCH)	626
1	CLOSER	8501-BF-AL	NORTON DOOR (NDC)	AL
1	WALL STOP	402-1/2	IVES (IVS)	AL
1	DOOR VIEWER	698	IVES (IVS)	-
1	42"H. PROTECTIVE PLATE	8400	IVES (IVS)	630
DOOR HARDWARE SET NO. 401				
DOOR NO. 106; BREAK ROOM TO HAVE THE FOLLOWING:				
No.	Item	Description	Manufacturer	Finish
3	HINGES	FBB179-NRP	STANLEY HARDWARE (STH)	626
1	PRIVACY LOCK	SCHLAGE L9485P 06A X L283-722 X 2	SCHLAGE (SCH)	626
1	CLOSER	8501-BF-AL	NORTON DOOR (NDC)	AL
1	WALL STOP	402-1/2	IVES (IVS)	AL
1	DOOR VIEWER	698	IVES (IVS)	-
1	42"H. PROTECTIVE PLATE	8400	IVES (IVS)	630

DOOR HARDWARE SET NO. 500				
DOOR NO. 102B & 109C; EGRESS TO HAVE THE FOLLOWING:				
No.	Item	Description	Manufacturer	Finish
2	HINGES	FBB191(32D)-NRP	STANLEY HARDWARE (STH)	630
1	HINGE	EW8-626	DETEX	626
1	THRESHOLD	896N	NATIONAL GUARD (NGP)	AL
1	EXIT/PANIC	V40XEALDXIC7x KS(36"or48") - INCLUDES TRANSFORMER PP-S152-3	DETEX	628
1	REMOTE SOUNDER	CS-29405	DETEX	GREY
1	CLOSER	8501-BF-AL	NORTON DOOR (NDC)	AL
1	DRIP STRIP	16A	NATIONAL GUARD (NGP)	CLEAR ANOD AL
1	STICK-ON GASKET	5060B	NATIONAL GUARD (NGP)	CLEAR ANOD AL
1	DOOR SWEEP	9605A	NATIONAL GUARD (NGP)	CLEAR ANOD AL
DOOR HARDWARE SET NO. 600				
DOOR NO. 109A; BACKROOM EGRESS TO HAVE THE FOLLOWING:				
No.	Item	Description	Manufacturer	Finish
2	HINGES	FBB191(32D)-NRP	STANLEY HARDWARE (STH)	630
1	HINGE	EW8-626	DETEX	626
1	THRESHOLD	896N	NATIONAL GUARD (NGP)	AL
1	EXIT/PANIC	V4009D2W428xR HR(L)R/VEAX LDxL7XC7xK5x (36"or48") - INCLUDES TRANSFORMER PP-S152-3	DETEX	628
-	REMOTE SOUNDER	CONNECT TO SOUNDER FOR DOOR 109C	DETEX	GREY
1	CLOSER W/ HOLD OPEN	1601H	NORTON DOOR (NDC)	AL
1	DRIP STRIP	16A	NATIONAL GUARD (NGP)	CLEAR ANOD AL
1	STICK-ON GASKET	5060B	NATIONAL GUARD (NGP)	CLEAR ANOD AL
1	DOOR SWEEP	9605A	NATIONAL GUARD (NGP)	CLEAR ANOD AL
1	DOOR VIEWER	698	IVES (IVS)	-



Issued:		Date:
A	Client Review Set	04/07/17
B	Permit Set	04/07/17
C	Bid Set	09/05/17
D		

Revisions:		Date:
1		
2		
3		
4		
5		
6		
7		
8		
9		

**ms consultants, inc.**  
 engineers, architects, planners  
 2221 Schrock Road  
 Columbus, Ohio 43229-1547  
 phone 614.898.7100  
 fax 614.898.7570

DRAWN BY:	MYG
REVIEWED BY:	MJB/CLR

Seal

PROFESSIONAL OF RECORD:  
 ERIC ELIZONDO No. 0401016074  
 EXP. DATE: 06/30/2018

**ALDI Inc.**  
 1985 Old Union Church Road  
 Salisbury, NC 28146  
 (704) 642-0023  
 (704) 642-0078 fax

ALDI Inc. Store #: 161  
 VA Beach Blvd & Thalia  
 4220 Virginia Beach Blvd  
 Virginia Beach, VA 23452

Willis Wayside  
 Project Name & Location:

Door Schedules & Details  
 Drawing Name:

Prototype Rls. 02/08/17	Project No. 40320-40
Type: RHSD-V7	
	A-601

Scale: As Noted Drawing No.