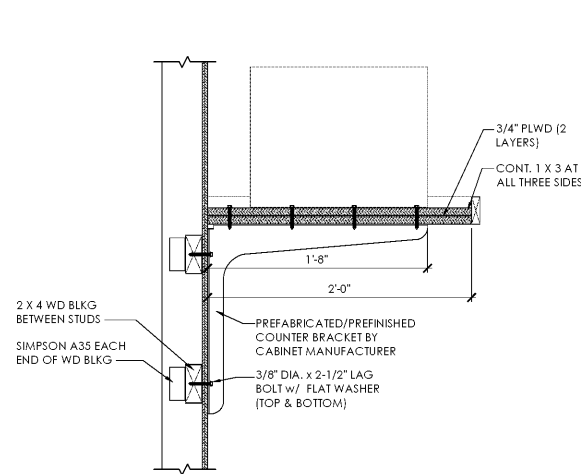


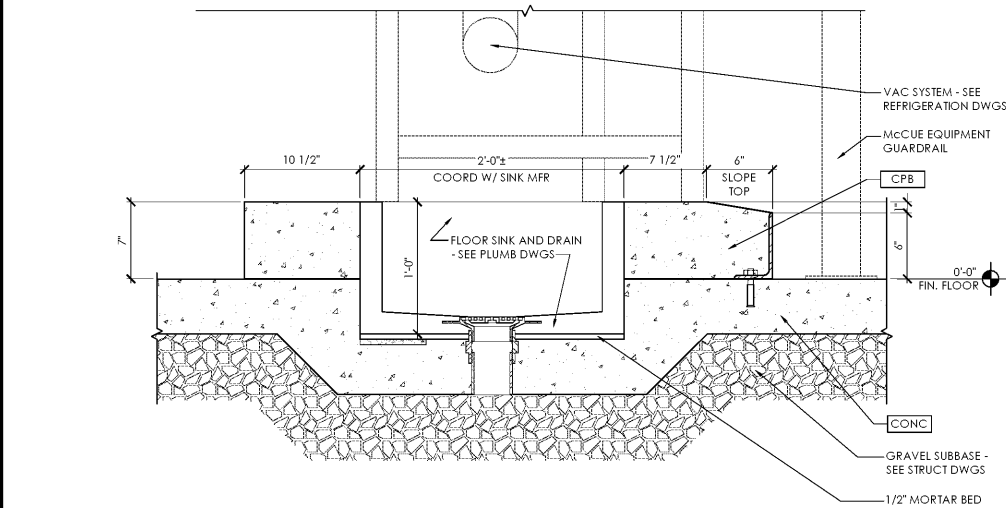
Interior Section Detail - VAC System

SCALE: 3/4" = 1'-0"



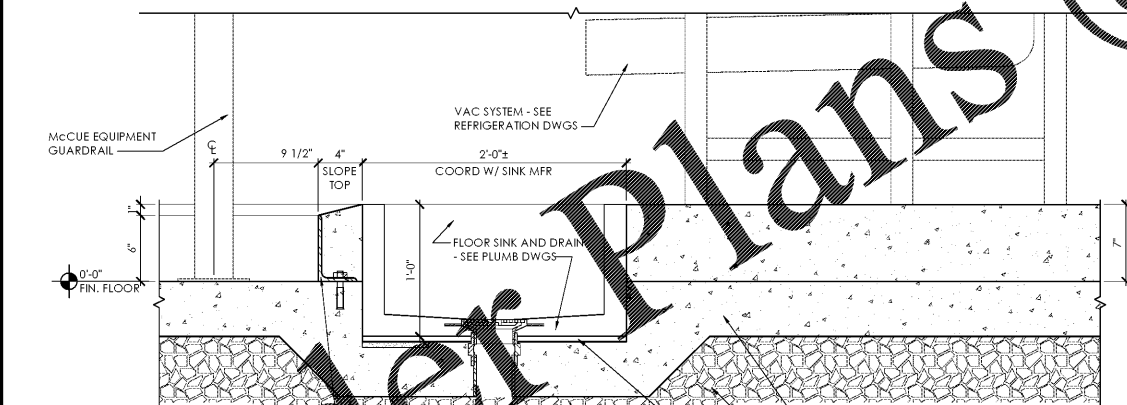
Interior Section Detail - UPS Shelf

SCALE: 1 1/2" = 1'-0"



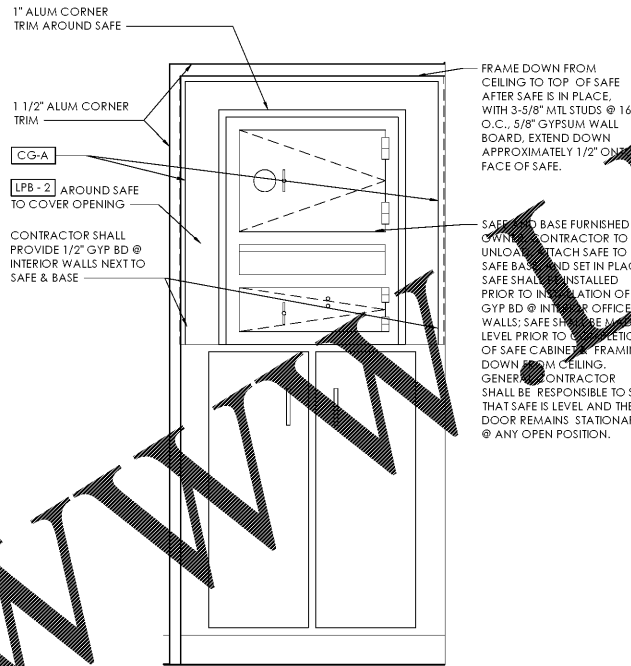
Interior Plan Detail - VAC Floor Sink (Side)

SCALE: 1 1/2" = 1'-0"



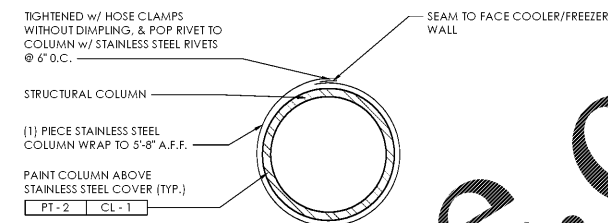
Interior Plan Detail - VAC Floor Sink (Front)

SCALE: 1 1/2" = 1'-0"



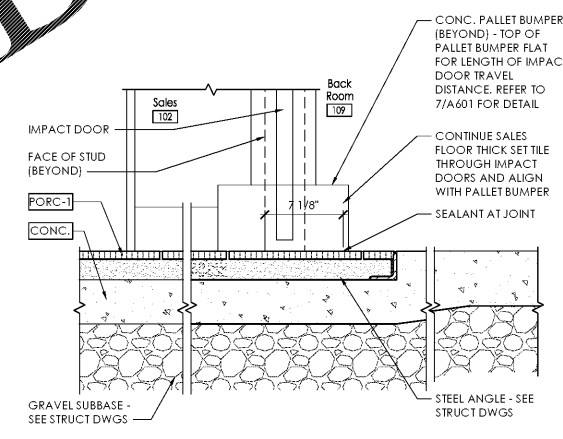
Interior Elevation Detail - Office Safe

SCALE: 1" = 1'-0"



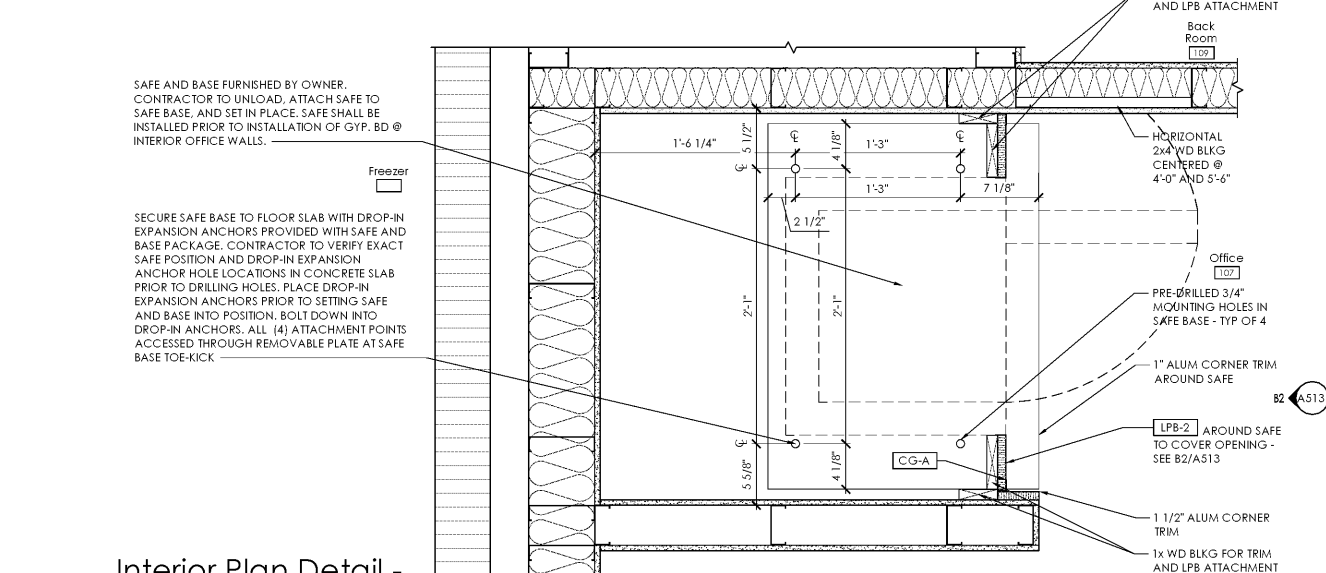
Interior Plan Detail - Sales Area Column Wrap

SCALE: 1/2" = 1'-0"



Interior Section Detail - Slab at Impact Door

SCALE: 1 1/2" = 1'-0"



Interior Plan Detail - Office Safe

SCALE: 1 1/2" = 1'-0"

Issued:	Date:
A Client Review Set	04/07/17
B Permit Set	04/07/17
C Bid Set	09/05/17
D	

Revisions:	Date:
1	
2	
3	
4	
5	
6	
7	
8	
9	

DO NOT SCALE PLANS
 Copying, Printing, Software and other processes required to produce these prints on stretch or shrink the actual paper or layout. Therefore, scaling of this drawing may be inaccurate. Contact us consultants with any need for additional dimensions or clarifications.

ms consultants, inc.
 engineers, architects, planners
 2221 Schrock Road
 Columbus, Ohio 43229-1547
 phone 614.898.7100
 fax 614.898.7570

DRAWN BY: MYG
 REVIEWED BY: MJB/CLR

Seal
 PROFESSIONAL OF RECORD:
 ERIC ELIZONDO No. 0401016074
 EXP. DATE: 06/30/2018

ALDI Inc.
 1985 Old Union Church Road
 Salisbury, NC 28146
 (704) 642-0023
 (704) 642-0078 fax

ALDI Inc. Store #: 161
 VA Beach Blvd & Thalia
 4220 Virginia Beach Blvd
 Virginia Beach, VA 23452
 Willis Wayside
 Project Name & Location:

Interior Details	
Drawing Name:	
Prototype Rls. 02/08/17	Project No. 40320-40
Type: RHSD-V7	
	A-513
Scale: As Noted	Drawing No.

Order Plans @ WWW.WillisWayside.com