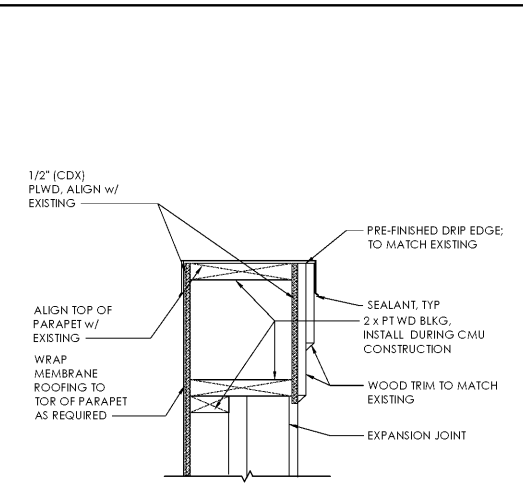
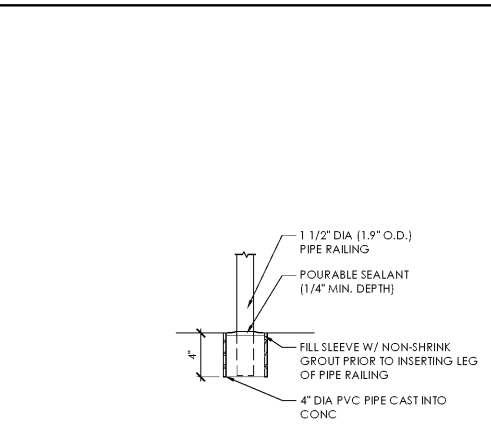


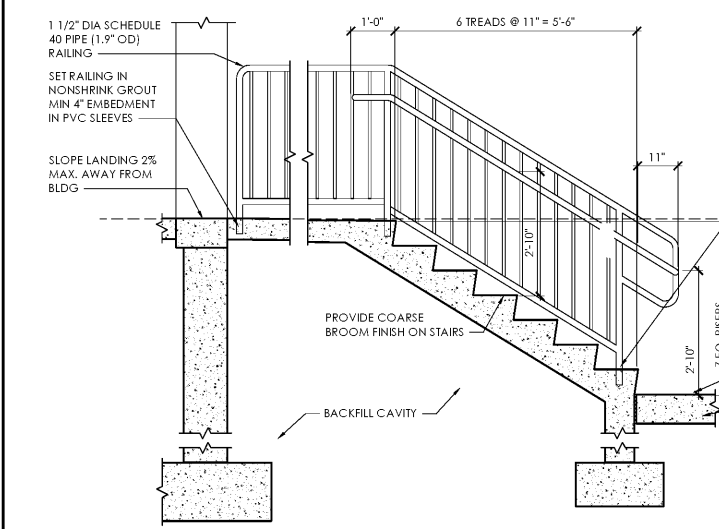
D3 Exterior Section Detail - Roof Hatch
SCALE: 1 1/2" = 1'-0"



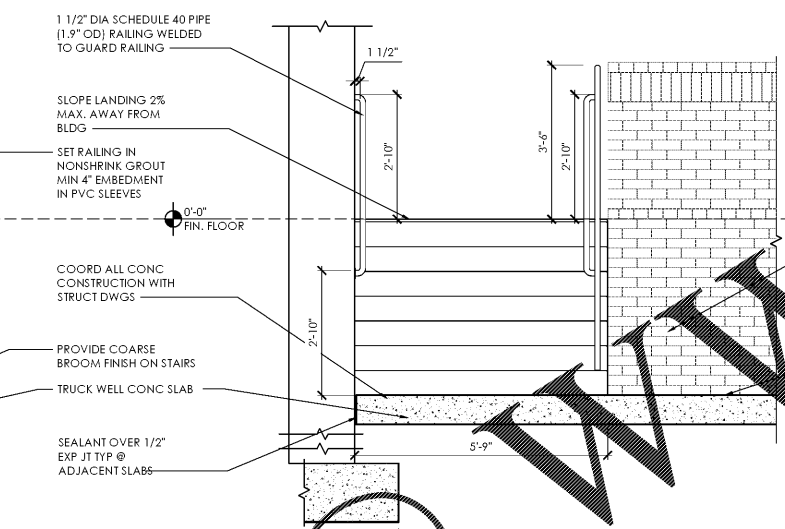
C3 Exterior Detail - Top of Expansion Joint
SCALE: 1 1/2" = 1'-0"



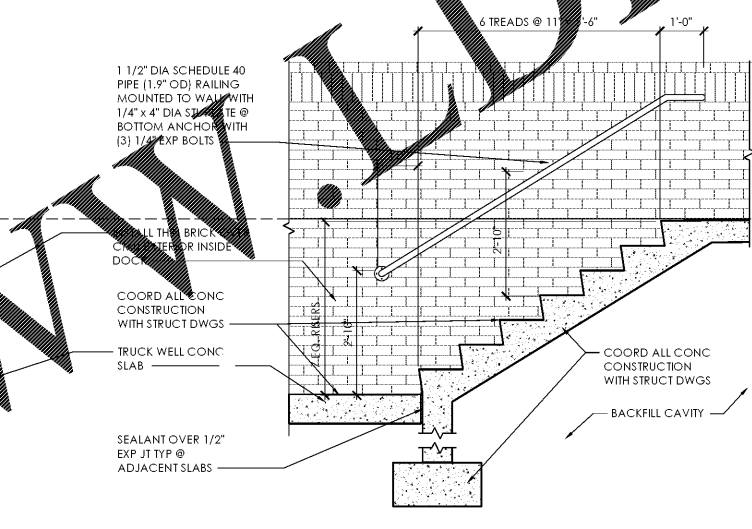
B3 Exterior Detail - Railing Post Base
SCALE: 1 1/2" = 1'-0"



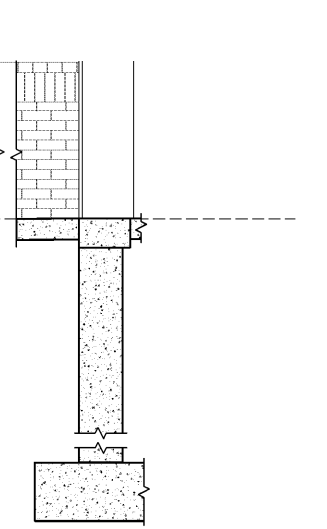
D2 Exterior Section Detail - Loading Dock Stair
SCALE: 1/2" = 1'-0"



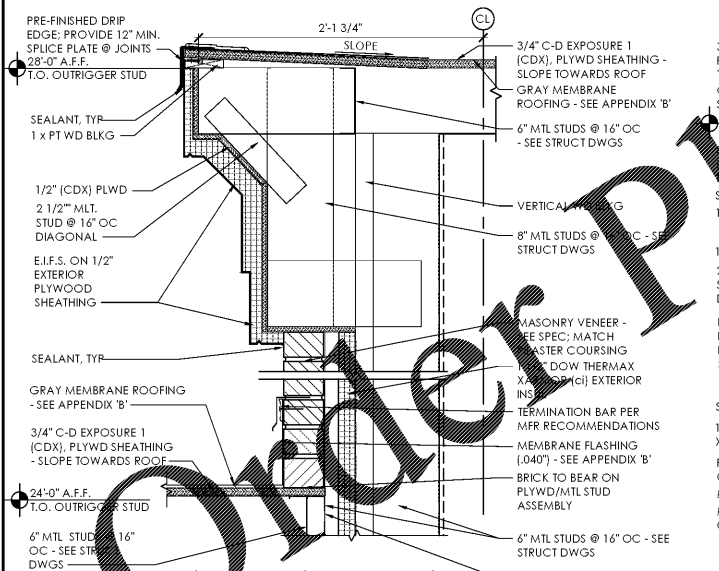
C1 Exterior Section Detail - Primary Tower Side at Entry Pilaster
SCALE: 1 1/2" = 1'-0"



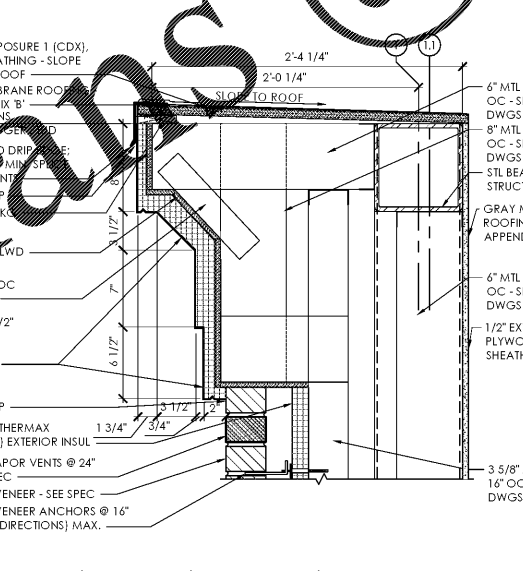
B1 Exterior Section Detail - Wall Assembly at Entry Pilaster
SCALE: 1 1/2" = 1'-0"



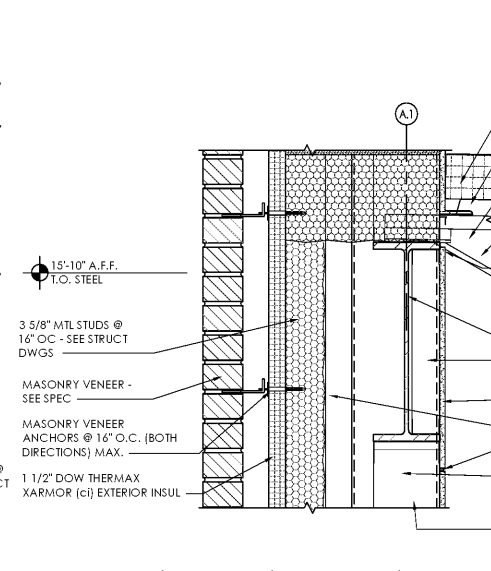
A1 Exterior Section Detail - Canopy Return to Entry Pilaster
SCALE: 1 1/2" = 1'-0"



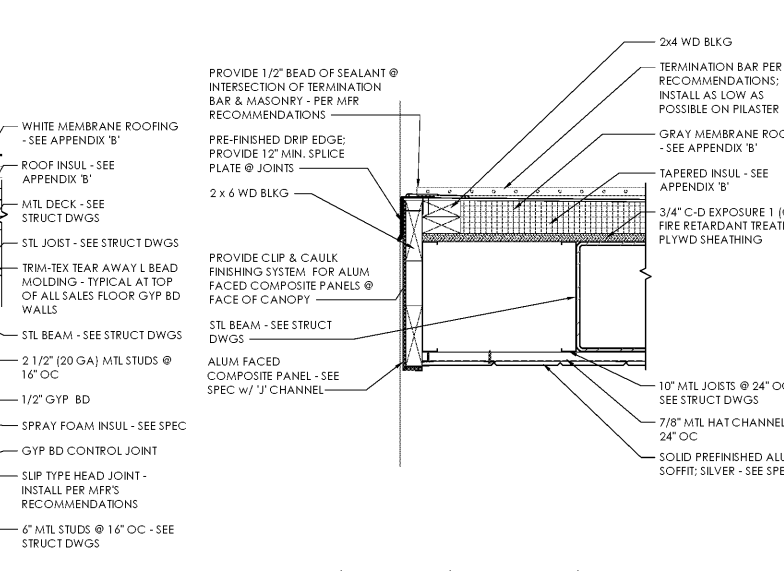
D1 Exterior Section Detail - Top of Connection
SCALE: 1 1/2" = 1'-0"



C1 Exterior Section Detail - Primary Tower Side at Entry Pilaster
SCALE: 1 1/2" = 1'-0"



B1 Exterior Section Detail - Wall Assembly at Entry Pilaster
SCALE: 1 1/2" = 1'-0"



A1 Exterior Section Detail - Canopy Return to Entry Pilaster
SCALE: 1 1/2" = 1'-0"

Issued:		Date:
A	Client Review Set	04/07/17
B	Permit Set	04/07/17
C	Bid Set	09/05/17
D		
Revisions:		Date:
1		
2		
3		
4		
5		
6		
7		
8		
9		

DO NOT SCALE PLANS
Copying, Printing, Software and other processes required to produce these prints can stretch or shrink the actual paper or layout. Therefore, scaling of this drawing may be inaccurate. Contact us consultants with any need for additional dimensions or clarifications.

ms consultants, inc.
engineers, architects, planners
2221 Schrock Road
Columbus, Ohio 43229-1547
phone 614.898.7100
fax 614.898.7570

DRAWN BY: MYG
REVIEWED BY: MJB/CLR

Seal
PROFESSIONAL OF RECORD:
ERIC ELIZONDO No. 040106074
EXP. DATE: 06/30/2018

ALDI Inc.
1985 Old Union Church Road
Salisbury, NC 28146
(704) 642-0229
(704) 642-0278 fax

ALDI Inc. Store #: 161
VA Beach Blvd & Thalia
4220 Virginia Beach Blvd
Virginia Beach, VA 23452
Willis Wayside
Project Name & Location:

Exterior Details Drawing Name:	
Prototype Rls. 02/08/17	Project No. 40320-40
Type: RHSD-V7	
	A-503
Scale: As Noted	Drawing No.