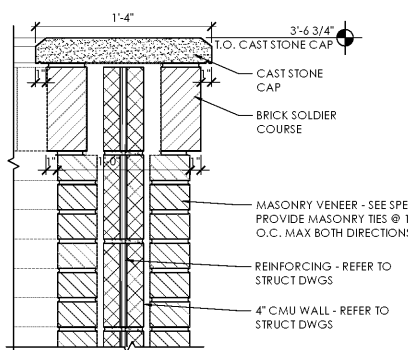
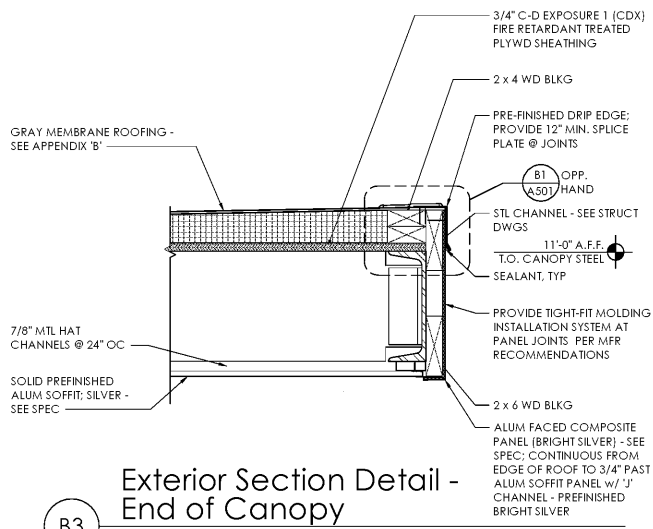


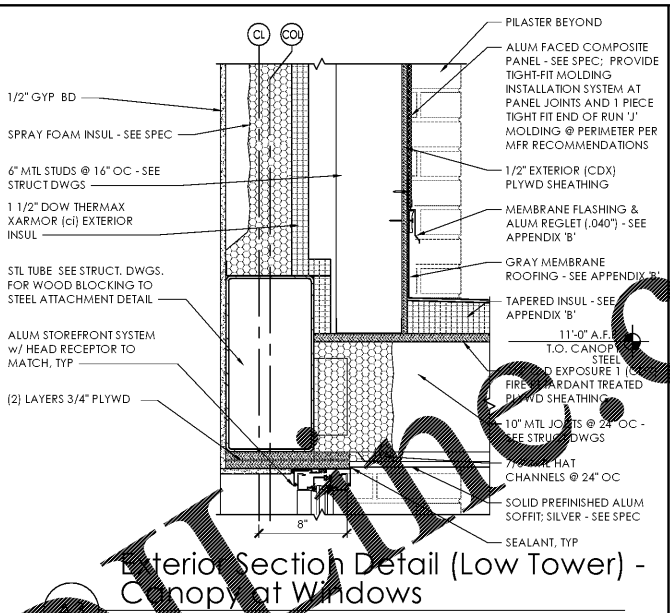
D3 Exterior Section Detail -
Cart Bumper @ Cart Wall
SCALE: 1 1/2" = 1'-0"



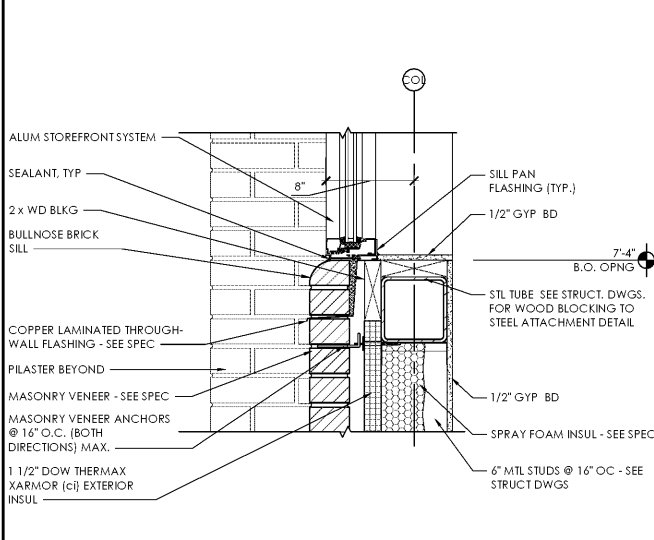
C3 Exterior Section Detail -
Storefront System @ Cart Wall
SCALE: 1 1/2" = 1'-0"



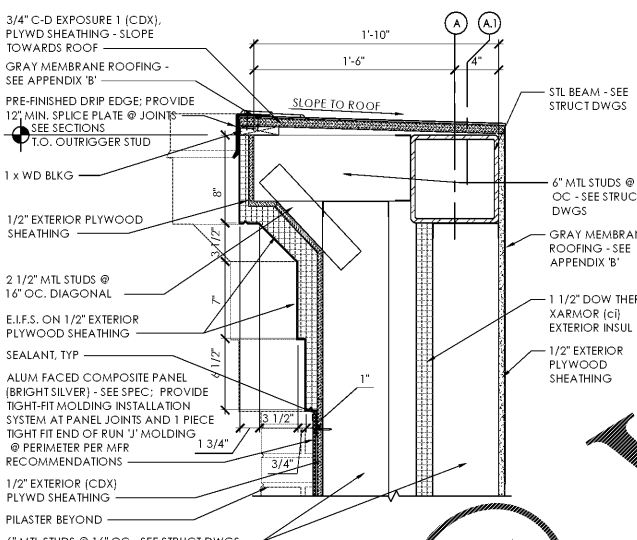
B3 Exterior Section Detail -
End of Canopy
SCALE: 1 1/2" = 1'-0"



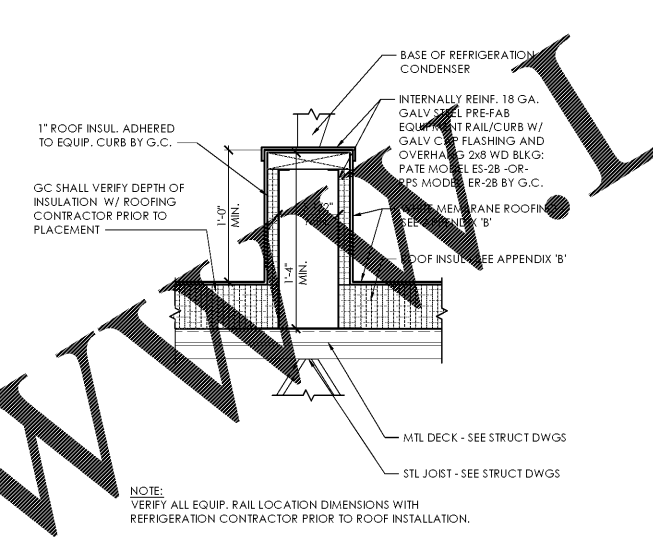
A3 Exterior Section Detail (Low Tower) -
Canopy at Windows
SCALE: 1 1/2" = 1'-0"



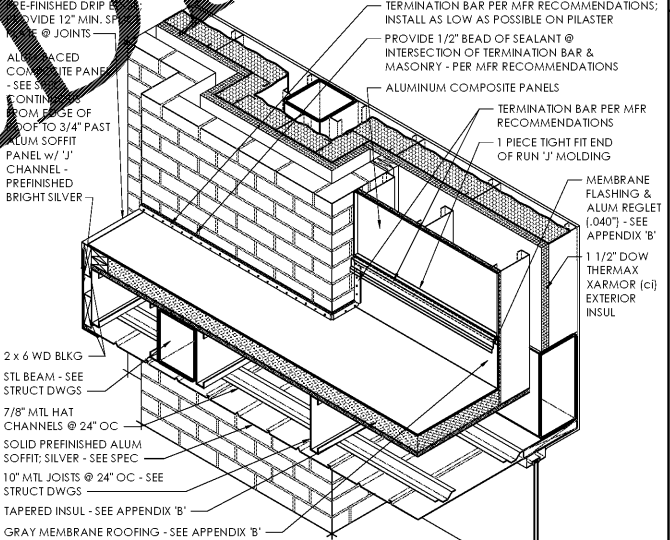
D2 Exterior Section Detail -
B.O. Transom Opening
SCALE: 1 1/2" = 1'-0"



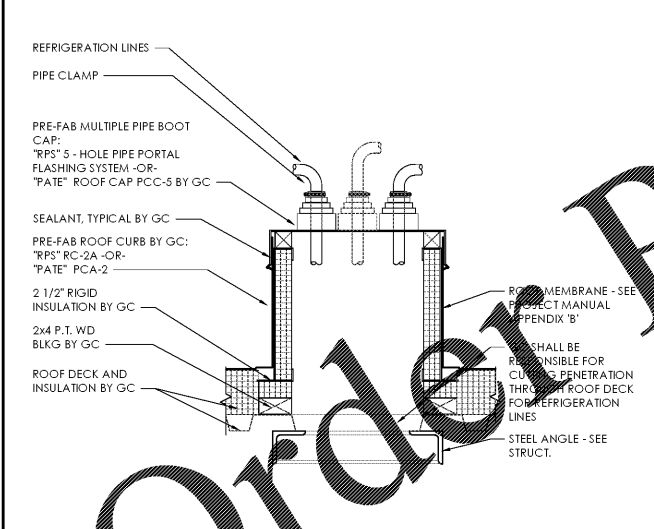
C2 Exterior Section Detail -
Parapet at Towers
SCALE: 1 1/2" = 1'-0"



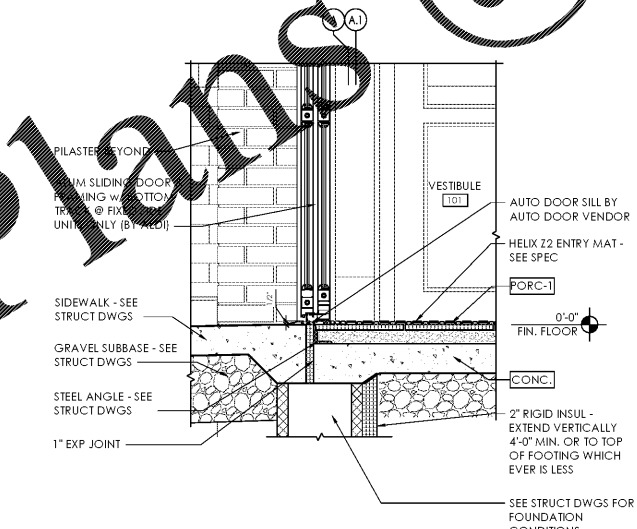
B2 Exterior Section Detail -
Roof Curb
SCALE: 1" = 1'-0"



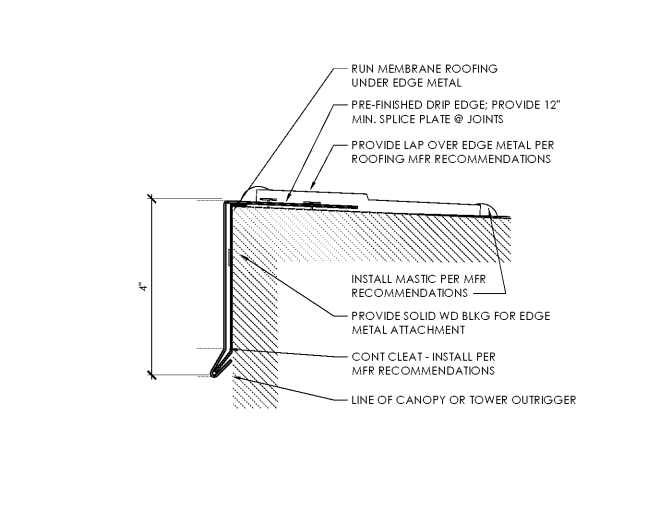
A2 Exterior Section Detail -
Canopy Assembly
SCALE: 3/4" = 1'-0"



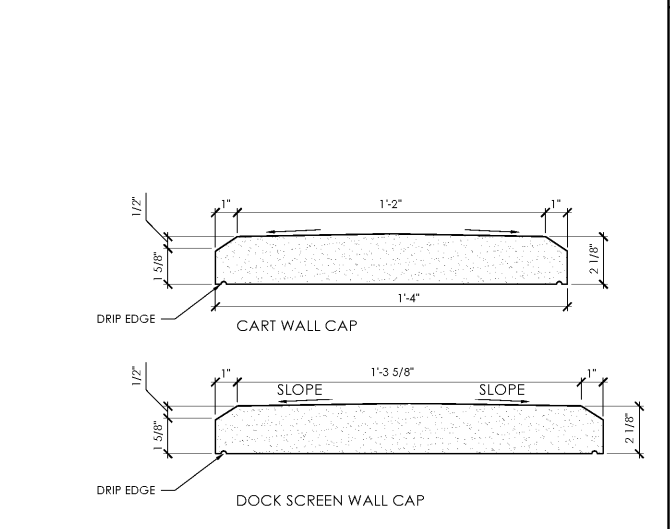
D1 Exterior Section Detail -
Roof Penetration curb
SCALE: 1 1/2" = 1'-0"



C1 Exterior Section Detail -
Slab at Entry / Exit Door
SCALE: 1" = 1'-0"



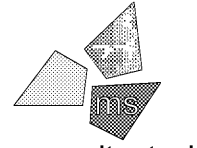
B1 Exterior Section Detail -
Flashing at Canopy
SCALE: 6" = 1'-0"



A1 Exterior Section Detail -
Water Table Trim
SCALE: 3" = 1'-0"

Issued:	Date:
A Client Review Set	04/07/17
B Permit Set	04/07/17
C Bid Set	09/05/17
D	
Revisions:	Date:
1	
2	
3	
4	
5	
6	
7	
8	
9	

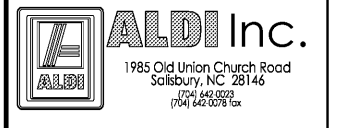
DO NOT SCALE PLANS
Copying, Printing, Software and other processes required to produce these prints can stretch or shrink the actual paper or layout. Therefore, scaling of this drawing may be inaccurate. Contact us consultants with any need for additional dimensions or clarifications.



ms consultants, inc.
engineers, architects, planners
2221 Schrock Road
Columbus, Ohio 43229-1547
phone 614.898.7100
fax 614.898.7570

DRAWN BY: MYG
REVIEWED BY: MJB/CLR

Seal
PROFESSIONAL OF RECORD:
ERIC ELIZONDO No. 0401016074
EXP. DATE: 06/30/2018



ALDI Inc. Store #: 161
VA Beach Blvd & Thalia
4220 Virginia Beach Blvd
Virginia Beach, VA 23452
Willis Wayside
Project Name & Location:

Exterior Details - Section Drawing Name:	
Prototype Rls. 02/08/17	Project No. 40320-40
Type: RHSD-V7	
	A-501
Scale: As Noted	Drawing No.

Order Plans

WWW.LDMLINE.COM