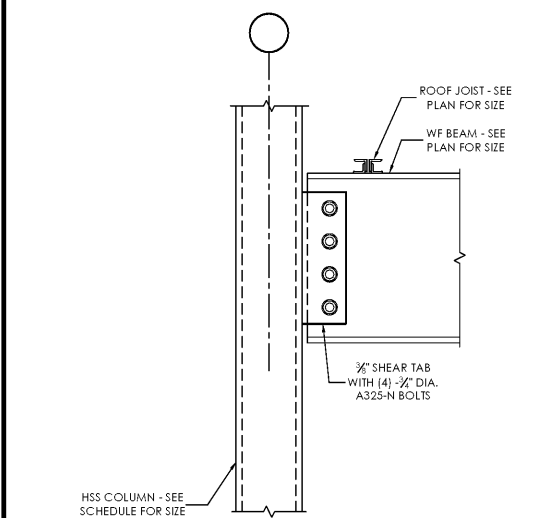
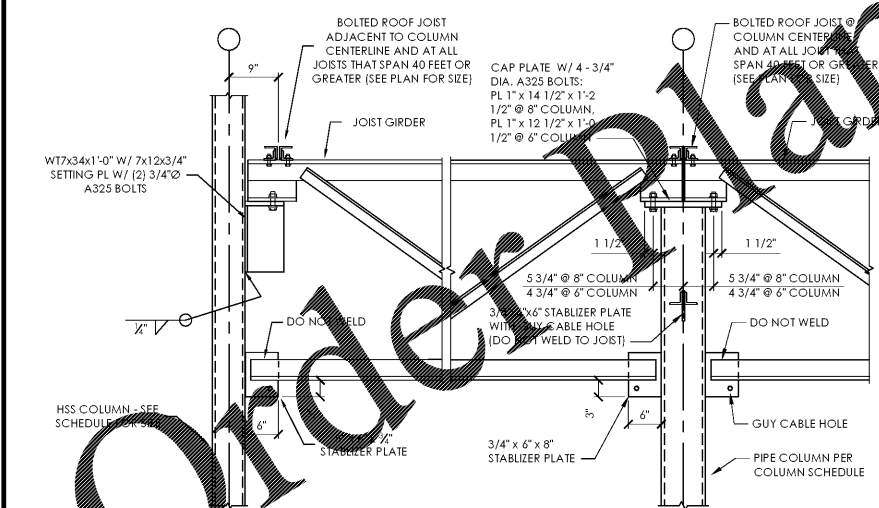


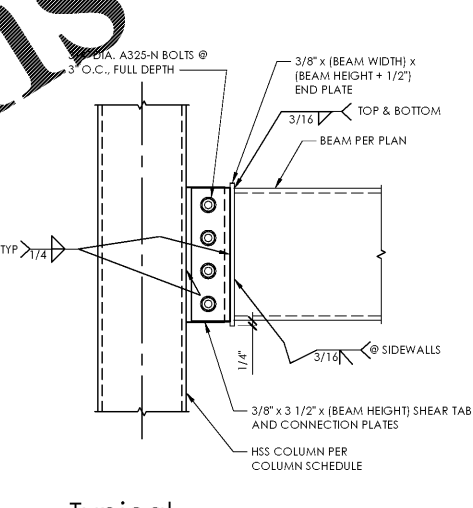
**D3** Typical HSS Girt Connection Detail  
SCALE: 1-1/2" = 1'-0"



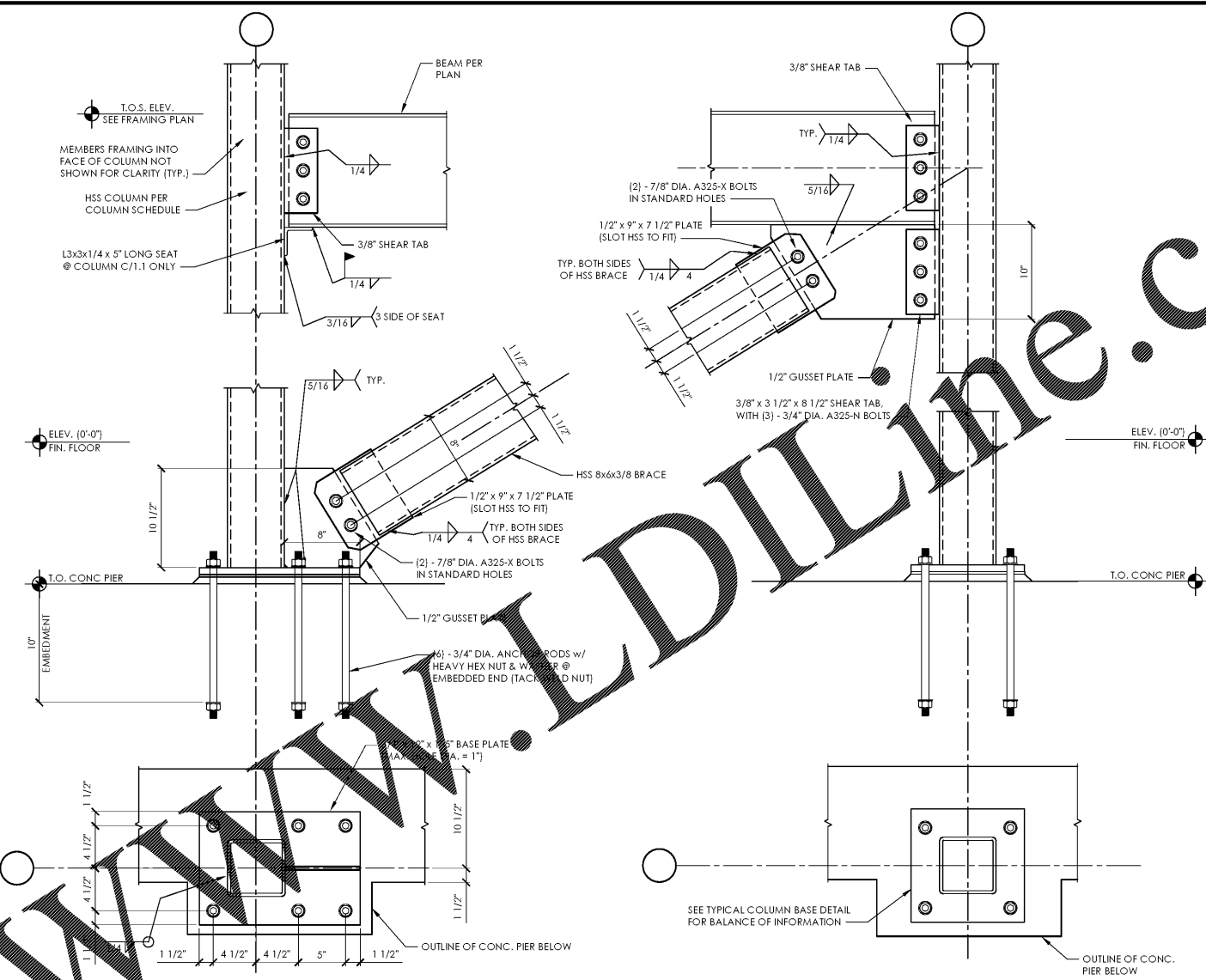
**D2** Typical Beam-To-Column Detail  
SCALE: 1-1/2" = 1'-0"



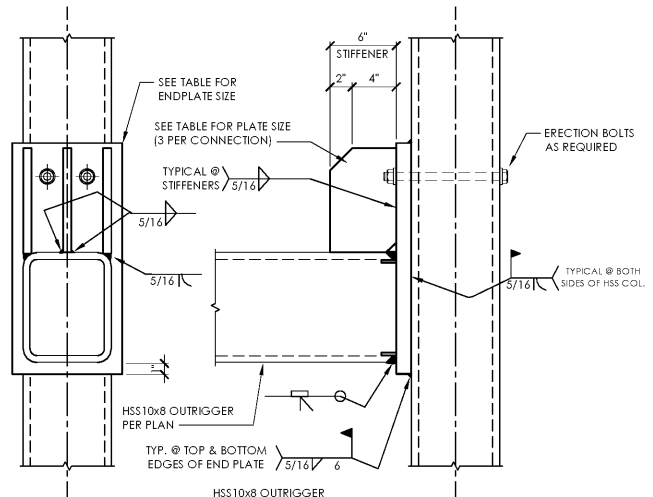
**D1** Typical Joist Girder-Over-Column Detail  
SCALE: 3/4" = 1'-0"



**C1** Typical HSS Header Connection Detail  
SCALE: 1-1/2" = 1'-0"

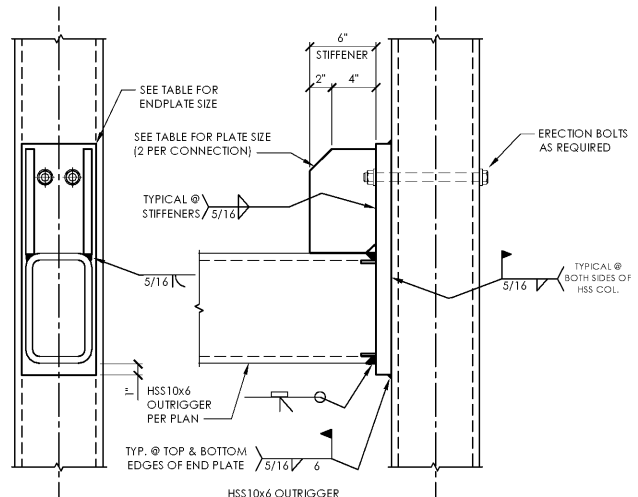


**A2** Braced Bay Elevation & Details  
SCALE: 1-1/2" = 1'-0"



OUTRIGGER SIZE	ENDPLATE DIMENSIONS	STIFFENER DIMENSIONS
HSS 10 x 8 x 5/8	1 3/8" x 10" x 1'-9"	1 1/8" x 6" x 9 1/2"
HSS 10 x 8 x 1/2	1 1/4" x 10" x 1'-7"	7/8" x 6" x 7 1/2"
HSS 10 x 8 x 3/8	1 1/4" x 10" x 1'-6"	3/4" x 6" x 6 1/2"
HSS 10 x 8 x 5/16	1 1/4" x 10" x 1'-5"	5/8" x 6" x 5 1/2"

**B1** Connection Detail For HSS 10x8 Canopy Outrigger  
SCALE: 1-1/2" = 1'-0"



OUTRIGGER SIZE	ENDPLATE DIMENSIONS	STIFFENER DIMENSIONS
HSS 10 x 6 x 5/8	1 1/2" x 6 3/4" x 2'-0"	1" x 6" x 1'-0 1/2"
HSS 10 x 6 x 1/2	1 1/2" x 6 3/4" x 1'-9"	7/8" x 6" x 9 1/2"
HSS 10 x 6 x 3/8	1 5/8" x 6 3/4" x 1'-7"	5/8" x 6" x 7 1/2"
HSS 10 x 6 x 5/16	1 5/8" x 6 3/4" x 1'-7"	1/2" x 6" x 7 1/2"

**A1** Connection Detail For HSS 10x6 Canopy Outrigger  
SCALE: 1-1/2" = 1'-0"

Issued:	Date:
A Client Review Set	04/07/17
B Permit Set	04/07/17
C Bid Set	09/05/17
D	

Revisions:	Date:
1	
2	
3	
4	
5	
6	
7	
8	
9	

**DO NOT SCALE PLANS**  
Copying, Printing, Software and other processes required to produce these prints on e-trace or other electronic devices may be inaccurate. Therefore, scaling of this drawing may be inaccurate. Contact the consultant with any need for additional dimensions or clarifications.

**ms consultants, inc.**  
engineers, architects, planners  
2221 Schrock Road  
Columbus, Ohio 43229-1547  
phone 614.898.7100  
fax 614.898.7570

DRAWN BY: C.JH  
REVIEWED BY: CEM

Seal  
PROFESSIONAL OF RECORD:  
CRAIG E. METZGER No. 0402057475  
EXP. DATE: 03/31/2019

**ALDI Inc.**  
1985 Old Union Church Road  
Salisbury, NC 28146  
(704) 642-0023  
(704) 642-0078 fax

ALDI Inc. Store #: 161  
VA Beach Blvd & Thalia  
4220 Virginia Beach Blvd  
Virginia Beach, VA 23452  
Willis Wayside  
Project Name & Location:

Steel Framing Section & Details	
Prototype Rls. 02/08/17	Project No. 40320-40
Type: RHSD-V7	
	S-402
Scale: As Noted	Drawing No.

PLOTTED: 9/1/2017 12:53 PM