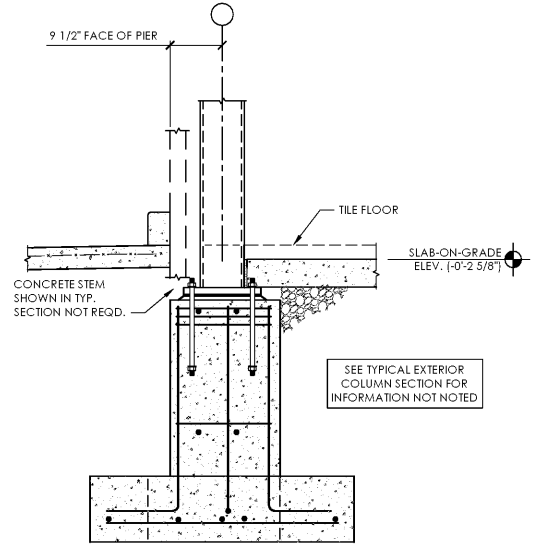
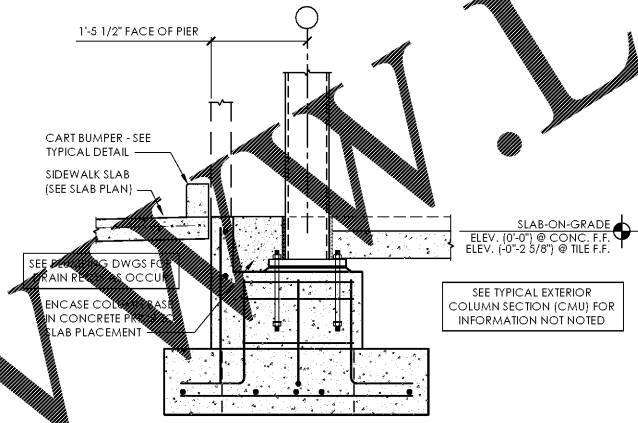


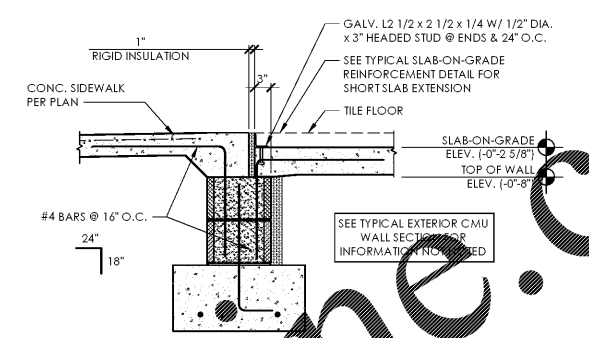
D2 Section
SCALE: 3/4" = 1'-0"



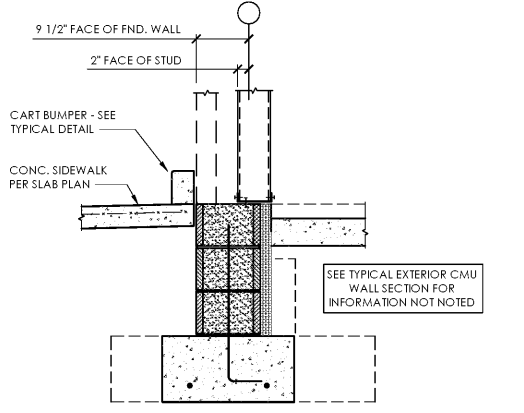
B3 Section
SCALE: 3/4" = 1'-0"



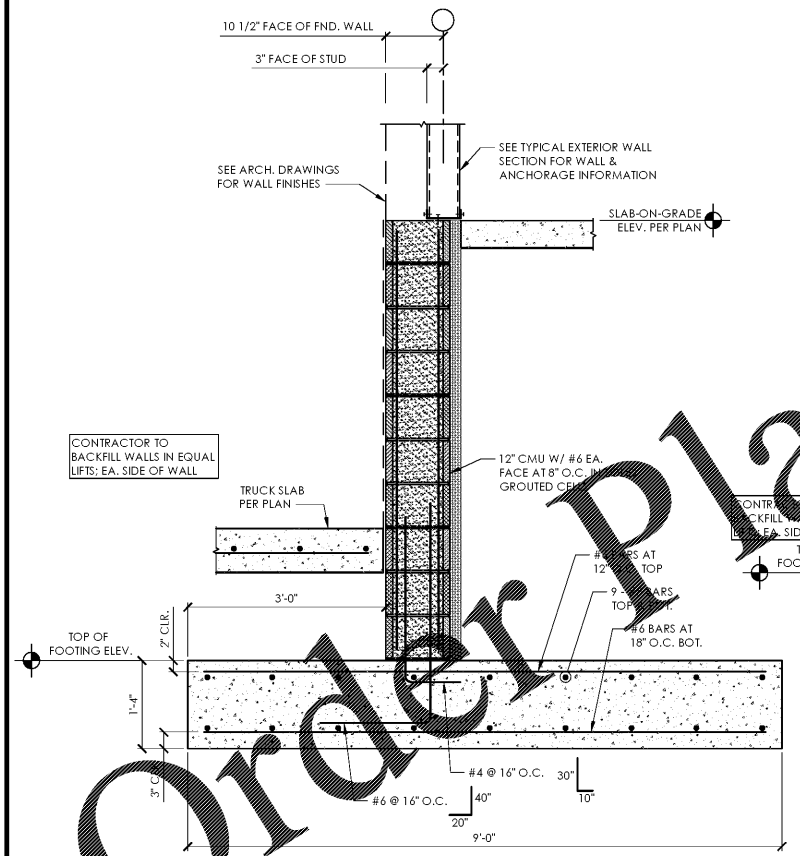
B2 Section
SCALE: 3/4" = 1'-0"



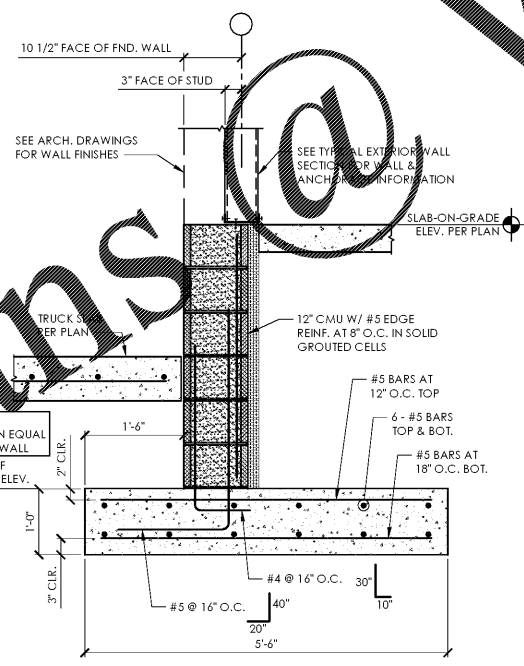
A3 Section
SCALE: 3/4" = 1'-0"



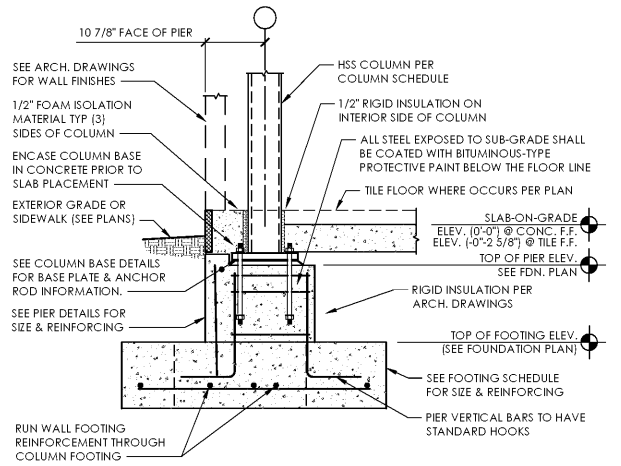
A2 Section
SCALE: 3/4" = 1'-0"



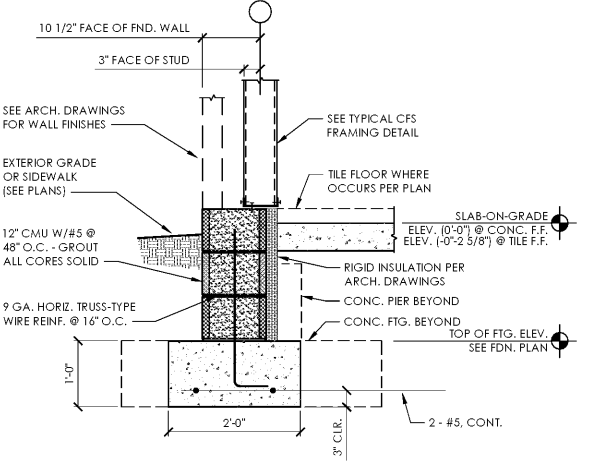
D1 Section
SCALE: 3/4" = 1'-0"



C1 Section
SCALE: 3/4" = 1'-0"



B1 Typical Exterior Column Section
SCALE: 3/4" = 1'-0"

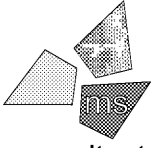


A1 Typical Exterior Wall Section
SCALE: 3/4" = 1'-0"

Issued:	Date:
A Client Review Set	04/07/17
B Permit Set	04/07/17
C Bid Set	09/05/17
D	

Revisions:	Date:
1	
2	
3	
4	
5	
6	
7	
8	
9	

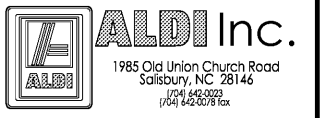
DO NOT SCALE PLANS
Copying, Printing, Software and other processes required to produce these prints on a screen or shrink the actual paper or layout. Therefore, scaling of this drawing may be inaccurate. Contact us consultants with any need for additional dimensions or clarifications.



ms consultants, inc.
engineers, architects, planners
2221 Schrock Road
Columbus, Ohio 43229-1547
phone 614.898.7100
fax 614.898.7570

DRAWN BY: C.JH
REVIEWED BY: CEM

Seal
Professional Engineer Seal
CRAIG E. METZGER No. 0402057475
EXP. DATE: 03/31/2019



ALDI Inc. Store #: 161
VA Beach Blvd & Thalia
4220 Virginia Beach Blvd
Virginia Beach, VA 23452
Willis Wayside
Project Name & Location:

Foundation Details	
Drawing Name:	
Prototype Rls. 02/08/17	Project No. 40320-40
Type: RHSD-V7	
	S-303
Scale: As Noted	Drawing No.

PLOTTED: 9/1/2017 12:44 PM