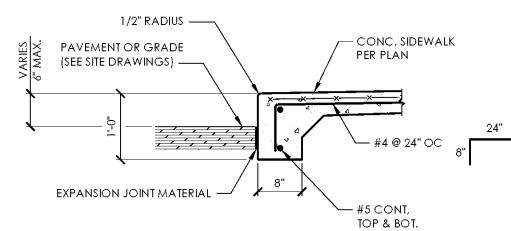
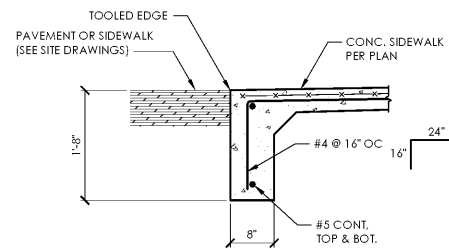


REFER TO MECHANICAL DRAWINGS FOR SIZE AND LOCATION OF ALL PIPES RUNNING THROUGH WALLS.

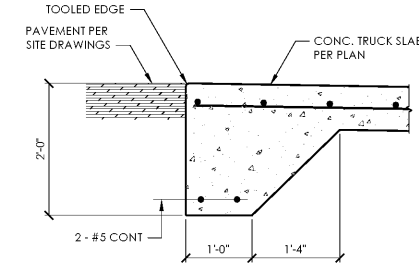
D3 Typical Foundation Wall Reinforcement Detail At Mechanical Penetrations
NO SCALE



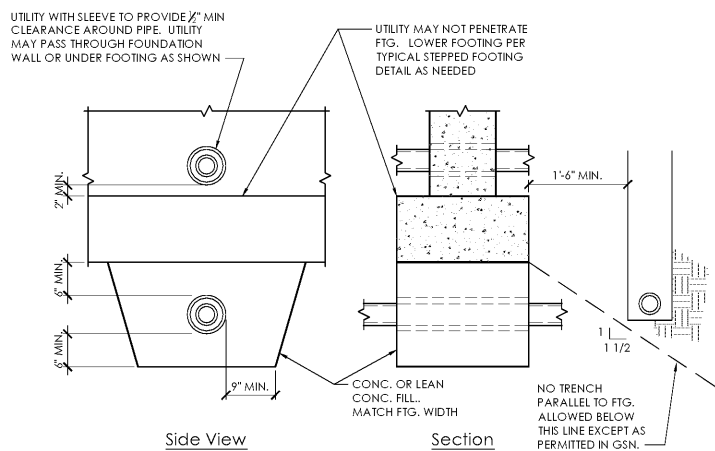
C3 Section
SCALE: 3/4" = 1'-0"



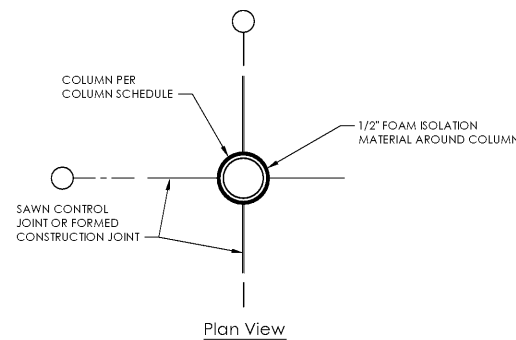
B3 Section
SCALE: 3/4" = 1'-0"



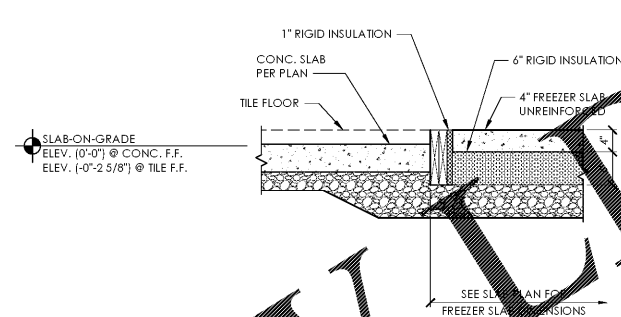
A3 Section
SCALE: 3/4" = 1'-0"



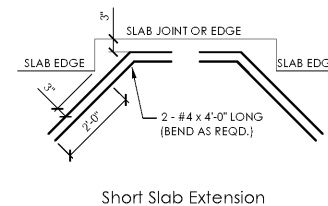
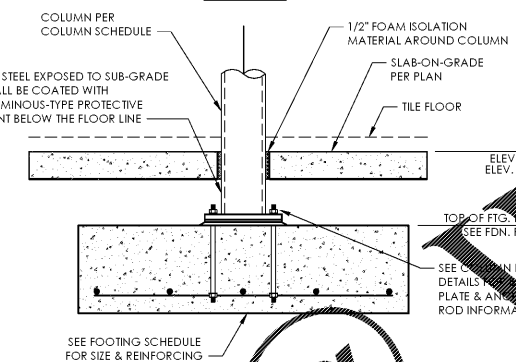
D2 Typical Utility Detail @ Continuous Footing
NO SCALE



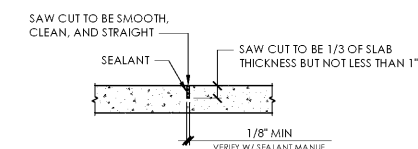
C2 Typical Interior Column Detail
NO SCALE



B3 Section @ Freezer Slab
SCALE: 3/4" = 1'-0"

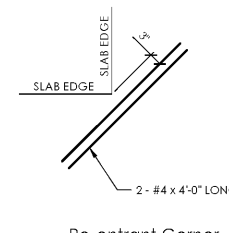


Short Slab Extension

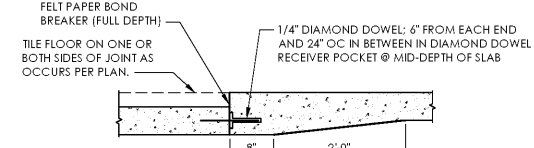


Control Joint

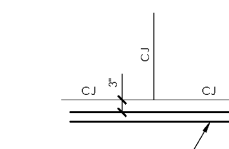
SAW CUTS ARE TO BE MADE IMMEDIATELY UPON COMPLETION OF FINAL TROWELLING. FOR BROOMED FINISHES, CUTS ARE TO BE MADE AFTER THE FINAL FINISH IS COMPLETED, AS SOON AS THE CUTTING OPERATION DOES NOT RAVEL THE JOINT EDGE OR OTHERWISE DISTURB THE FINISH.



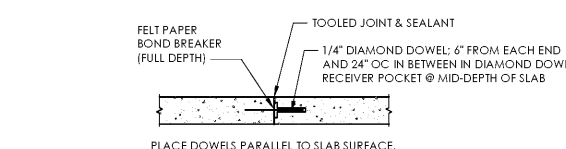
Re-entrant Corner



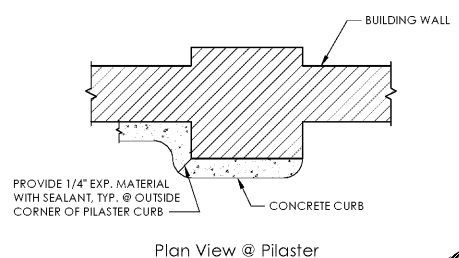
Construction Joint @ Concrete Step



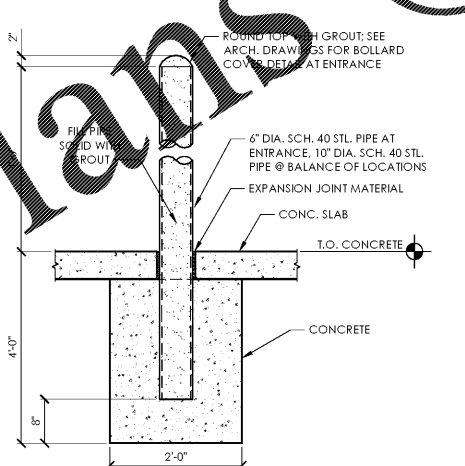
Discontinuous Control Joint



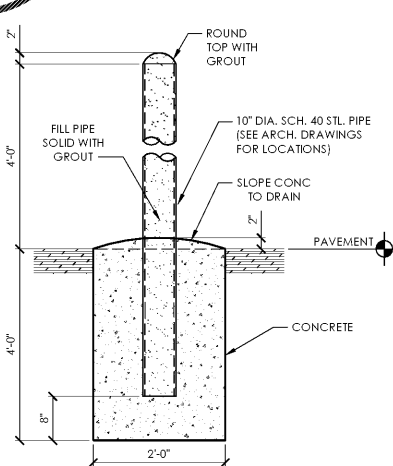
Construction Joint



D1 Typical Concrete Cart Bumper Detail
NO SCALE



C1 Typical Steel Bollard Detail
SCALE: 3/4" = 1'-0"



Bollard @ Pavement Detail

B1 Typical Slab-on-Grade Reinforcement
NO SCALE

A1 Typical Joint Details for Slabs-on-Grade
NO SCALE

Issued:	Date:
A Client Review Set	04/07/17
B Permit Set	04/07/17
C Bid Set	09/05/17
D	

Revisions:	Date:
1	
2	
3	
4	
5	
6	
7	
8	
9	

DO NOT SCALE PLANS
Copying, Printing, Software and other processes required to produce these prints on stretch or shrink the actual paper or layout. Therefore, scaling of this drawing may be inaccurate. Contact us consultants with any need for additional dimensions or clarifications.

ms consultants, inc.
engineers, architects, planners
2221 Schrock Road
Columbus, Ohio 43229-1547
phone 614.898.7100
fax 614.898.7570

DRAWN BY: C.J.H.
REVIEWED BY: CEM

Seal
PROFESSIONAL OF RECORD:
CRAIG E. METZGER No. 0402057475
EXP. DATE: 03/31/2019

ALDI Inc.
1985 Old Union Church Road
Salisbury, NC 28146
(704) 642-0023
(704) 642-0078 fax

ALDI Inc. Store #: 161
VA Beach Blvd & Thalia
4220 Virginia Beach Blvd
Virginia Beach, VA 23452
Willis Wayside
Project Name & Location:

Foundation Details	
Drawing Name:	Project No.
Prototype Rls. 02/08/17	40320-40
Type: RHSD-V7	
	S-301
Scale: As Noted	Drawing No.

PLOTTED: 9/1/2017 12:43 PM

Order Plans @

D C B A