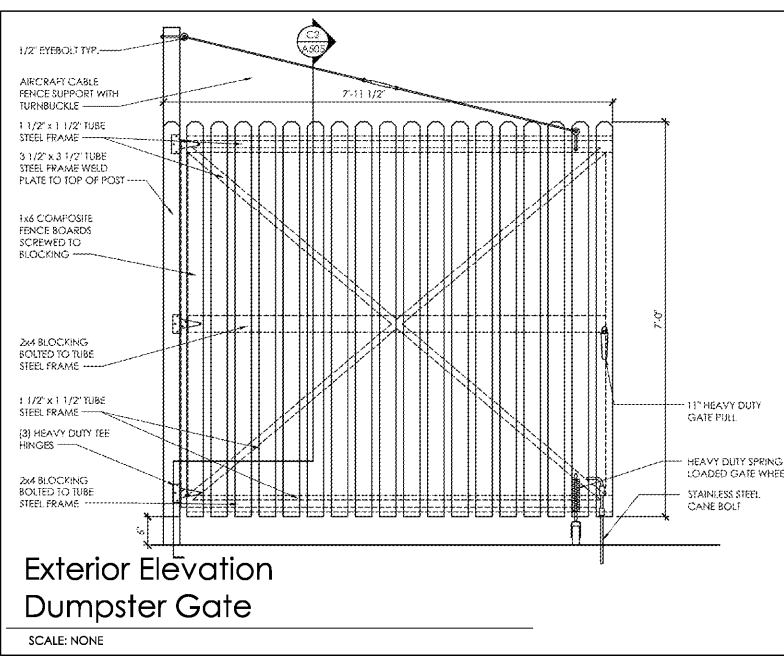


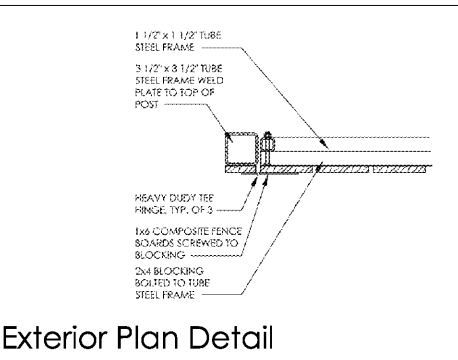
Exterior Section Detail
Dumpster Post

SCALE: NONE



Exterior Elevation
Dumpster Gate

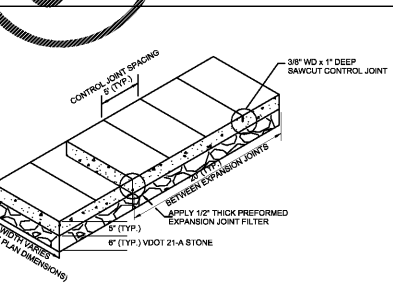
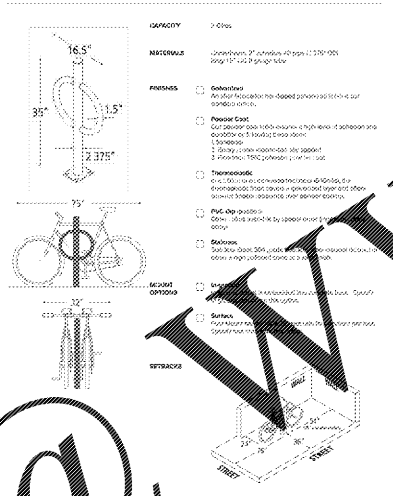
SCALE: NONE



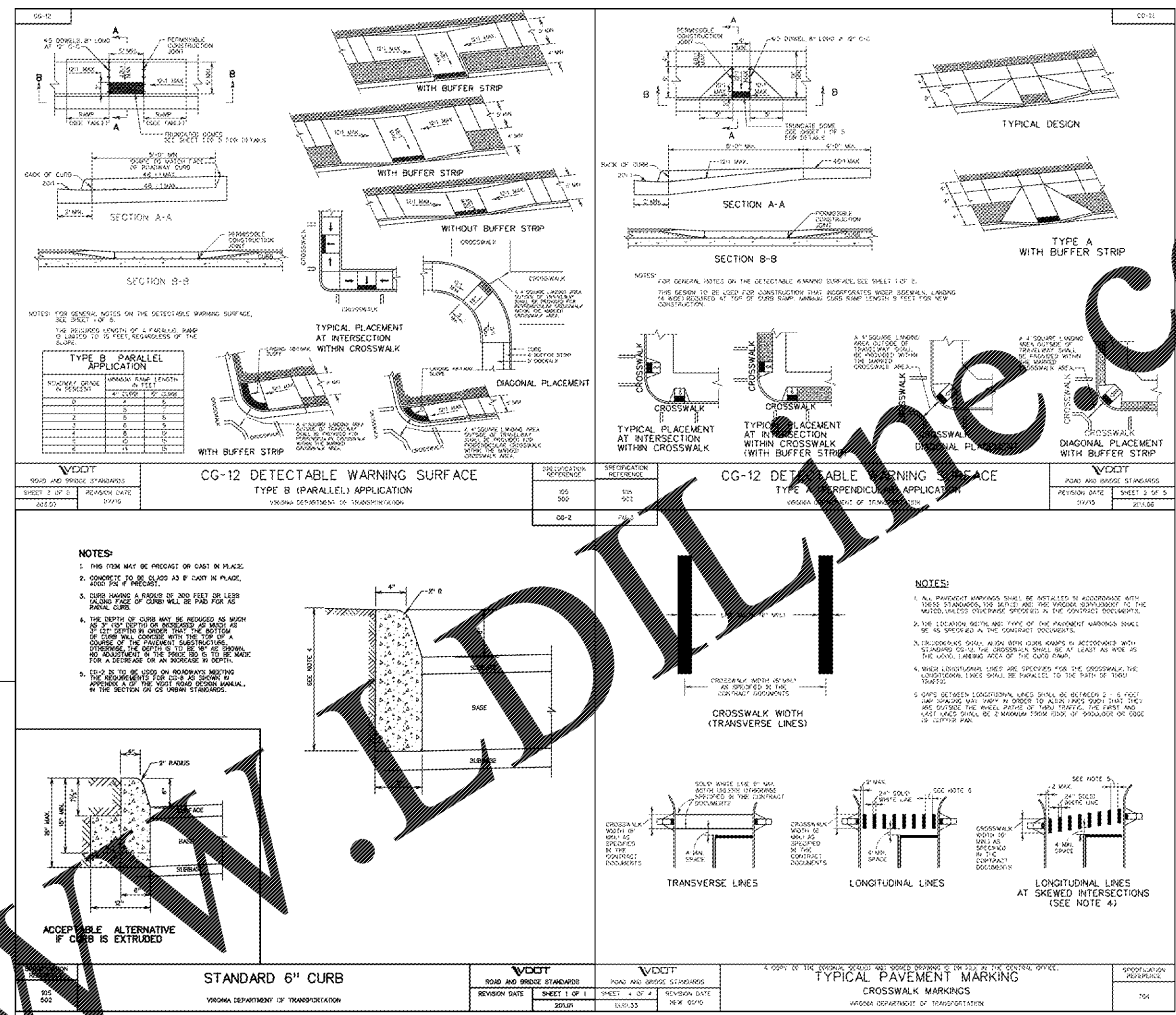
Exterior Plan Detail
Dumpster Post

SCALE: NONE

BIKE HITCH
Submittal Sheet



TYPICAL SIDEWALK DETAIL
NOT TO SCALE



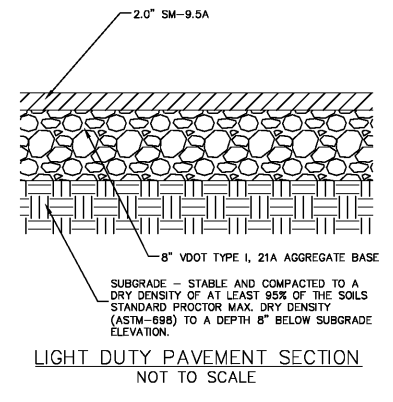
CG-12 DETECTABLE WARNING SURFACE
TYPE B (PARALLEL) APPLICATION
TYPE B (PERPENDICULAR) APPLICATION



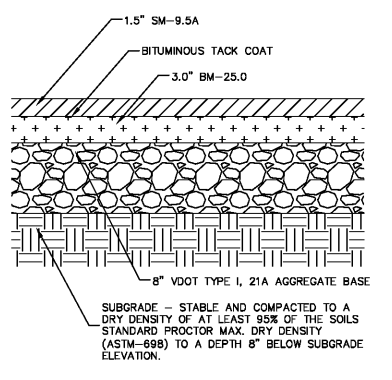
STANDARD 6" CURB
ROAD AND BRIDGE STANDARDS
ROAD AND BRIDGE STANDARDS

PAVEMENT SECTION DETAILS
TO BE VERIFIED WITH
GEOTECHNICAL REPORT
PRIOR TO CONSTRUCTION

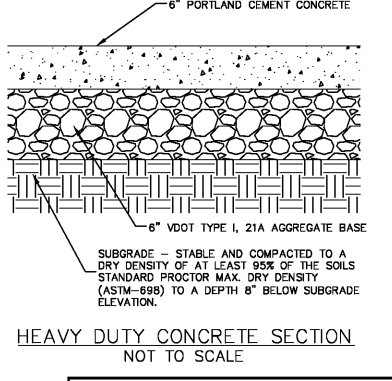
- UNLESS OTHERWISE NOTED, ALL SECTION REFERENCES ARE TO THE VIRGINIA DEPARTMENT OF TRANSPORTATION - ROAD AND BRIDGE SPECIFICATIONS, 2008 STANDARDS.
- PORTLAND CEMENT CONCRETE SHALL BE CLASS A3 CONCRETE CONFORMING TO THE REQUIREMENTS OF SECTION 217.
 - REINFORCING STEEL SHALL CONFORM TO THE REQUIREMENTS OF SECTION 223.
 - CURING MATERIALS SHALL CONFORM TO THE REQUIREMENTS OF SECTION 220.
 - PREFORMED JOINT FILLER SHALL CONFORM TO THE APPLICABLE REQUIREMENTS OF SECTION 212. MATERIAL SHALL BE APPROXIMATELY 1/2 INCH IN THICKNESS AND SHALL HAVE A WIDTH AND DEPTH EQUAL TO THOSE OF THE STRUCTURE.
 - ASPHALT CONCRETE SHALL CONFORM TO THE REQUIREMENTS OF SECTION 211.
 - GEOTEXTILE DRAINAGE FABRIC SHALL CONFORM TO THE REQUIREMENTS OF SECTION 245.



LIGHT DUTY PAVEMENT SECTION
NOT TO SCALE



HEAVY DUTY PAVEMENT SECTION
NOT TO SCALE



HEAVY DUTY CONCRETE SECTION
NOT TO SCALE

Issued:	Date:
A BID SET	08/23/17
B	
C	
D	
Revisions:	Date:
1 ADDRESS CITY COMMENTS	05/11/2017
2 ADDRESS CITY COMMENTS	07/11/2017
3	
4	
5	



Seal	DATE
PROJECT ARCHITECT/ENGINEER	
PROJECT LEAD	DATE
PROJECT DESIGNER	DATE

Kimley»Horn
Kimley-Horn
and Associates, Inc.
1700 Willow Lawn Drive, Suite 200
Richmond, Virginia 23230
(804) 673-3882



ALDI Inc.
Virginia Beach Blvd &
Thalia Road
Virginia Beach, VA
Project Name & Location:

SITE DETAILS	
Drawing Name:	Project No.
Date: 02/08/17	113180024
Type:	
Drawn By: SMP	CS-503
Scale: As Noted	Drawing No.

DSC FILE #F07-004902-SP