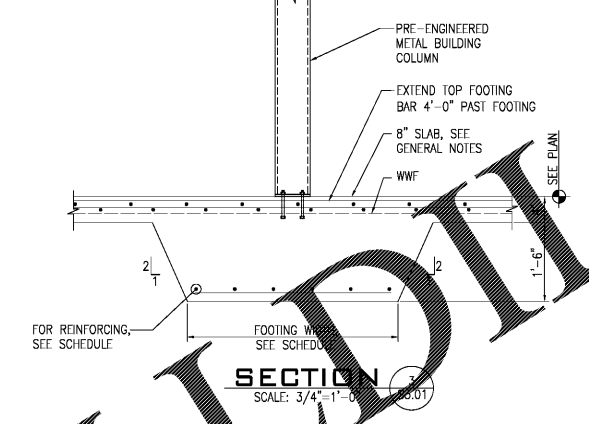
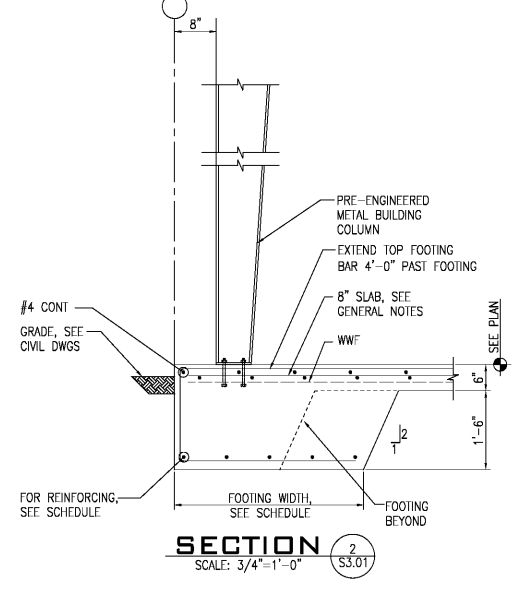
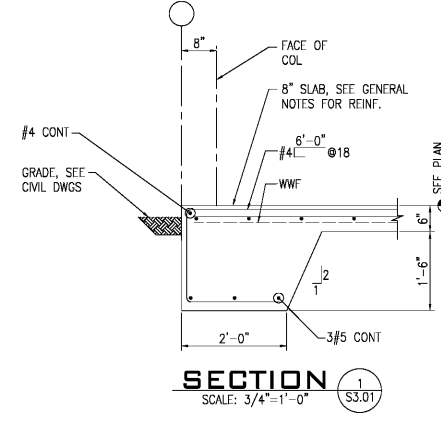




TJ
TUCKER-JONES
 ENGINEERING ARCHITECTS, P.C.
 3300 CAHABA ROAD, SUITE 210
 BIRMINGHAM, ALABAMA 35223
 PHONE 205.879.5600
 FAX 205.879.5606
 JOB# 16139



Order Plans @ www.LDMLine.com

SECTIONS S3.01 sheet of	BATTLING CAGES FOR LEEDS CITY SCHOOLS LEEDS BOARD OF EDUCATION GMC # ABHM16000	ISSUE DATE CONSTRUCTION DOCUMENTS 4/17/17 drawn by: JJA checked by: GLL		 GOODYRN MILLS CAWOOD 2700 1st Avenue S, Suite 100 Birmingham, AL 35233 Tel 205.879.4444 GMCNETWORK.COM
--	---	---	---	---