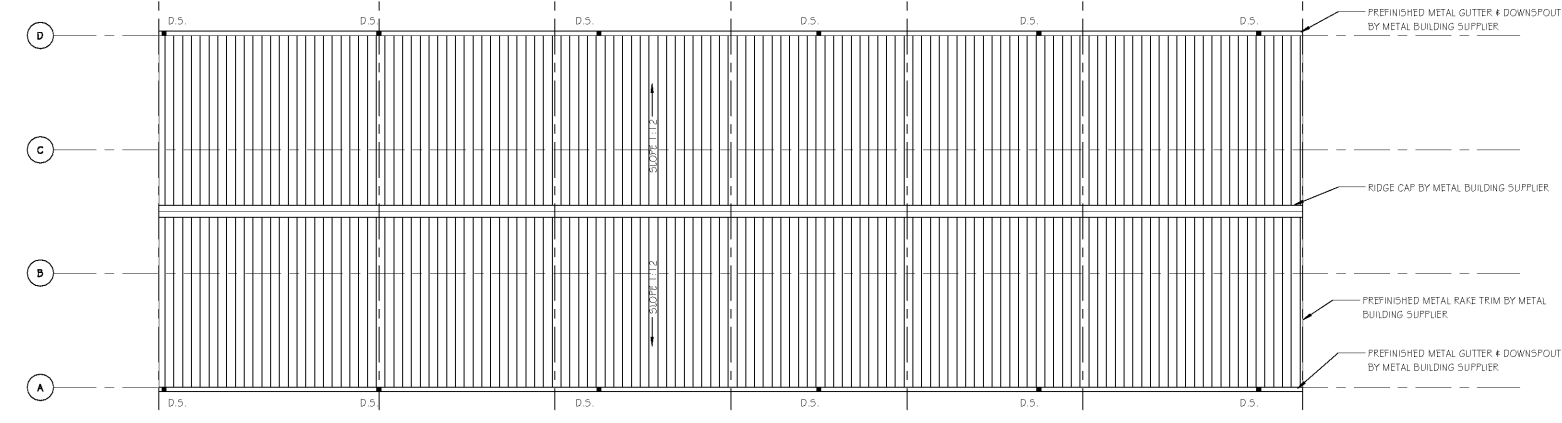
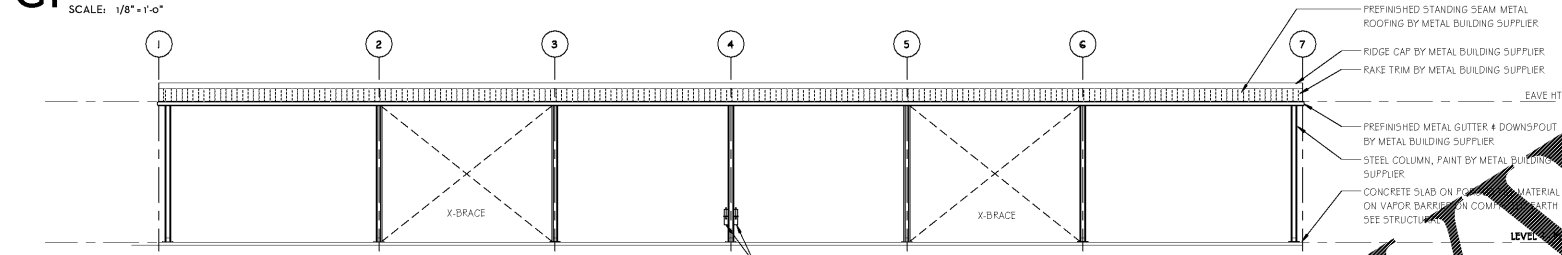


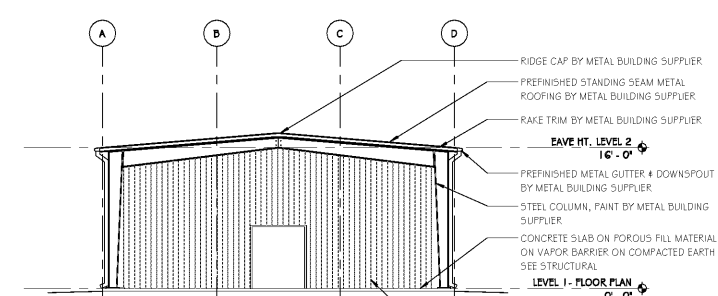
G1 ROOF PLAN
SCALE: 1/8" = 1'-0"



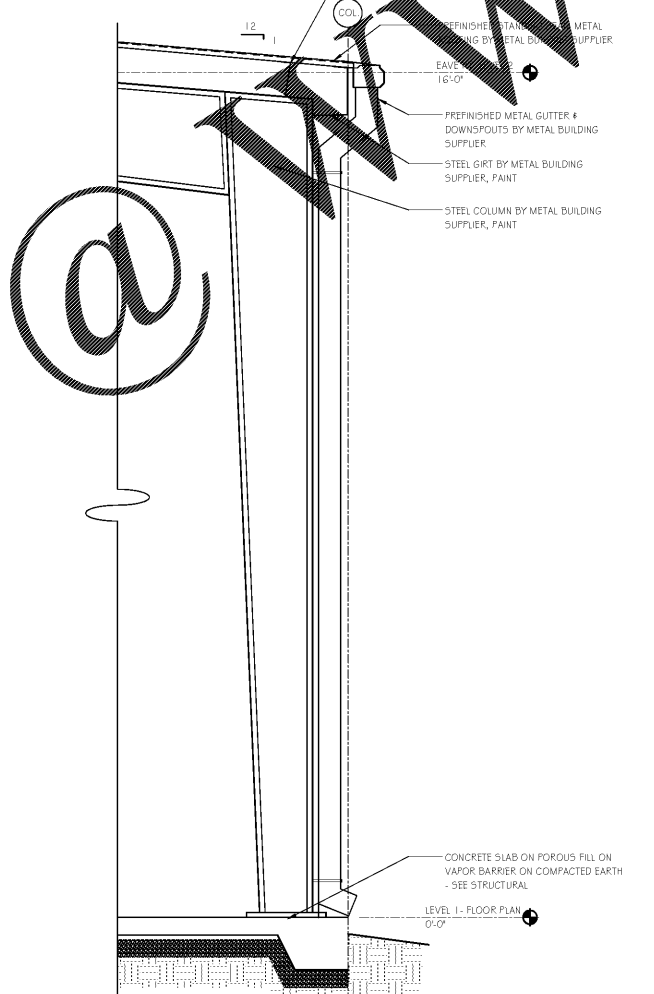
F1 NORTH & SOUTH ELEVATIONS
SCALE: 1/8" = 1'-0"



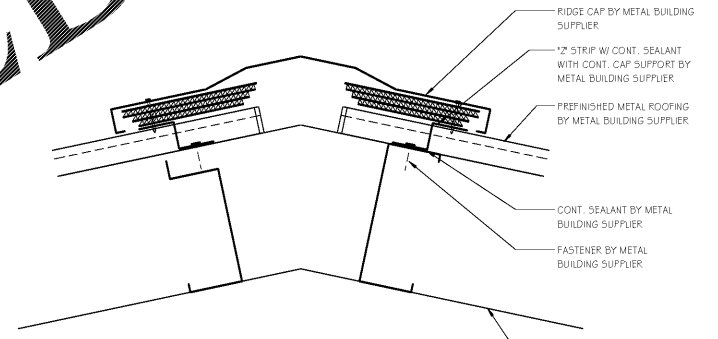
D1 EAST & WEST ELEVATIONS
SCALE: 1/8" = 1'-0"



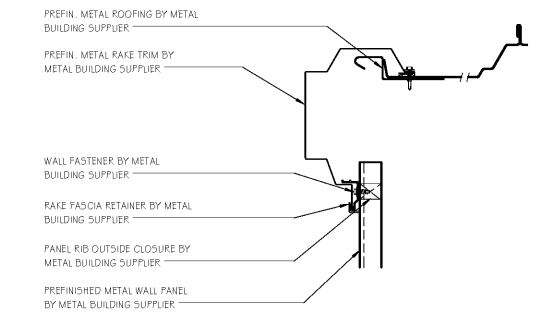
A5 WALL SECTION
SCALE: 3/4" = 1'-0"



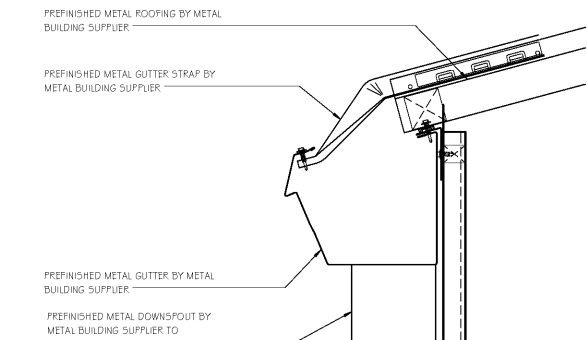
E10 RIDGE CAP
SCALE: 3" = 1'-0"



C10 RAKE DETAIL
SCALE: 3" = 1'-0"



A10 GUTTER DETAIL
SCALE: 3" = 1'-0"



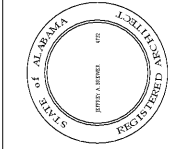
LDILine.com

Order Plans

ISSUE DATE	CONSTRUCTION DOCUMENTS	drawn by:	author	checked by:	checker
4/17/17					

BATTING CAGES FOR LEEDS CITY SCHOOLS
LEEDS BOARD OF EDUCATION

GMC # ABHM16000



ROOF PLAN, EXTERIOR ELEVATIONS, & WALL SECTION

A2.01
sheet of

GOODWYN MILLS CAWOOD
2701 1st Avenue S, Suite 100 | Birmingham, AL 35233
Tel: 205.679.4462 | GMCNETWORK.COM