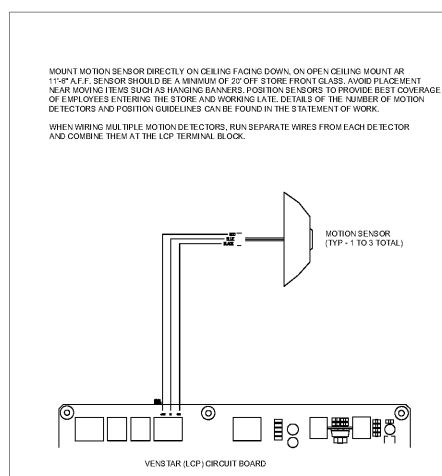
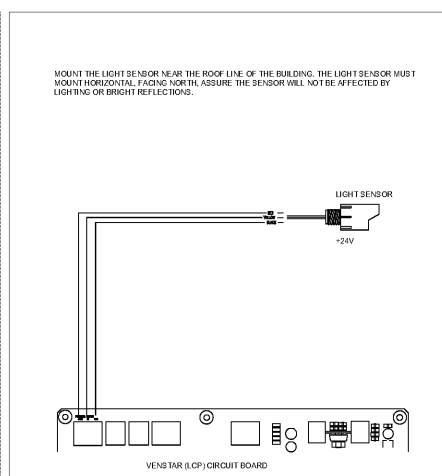


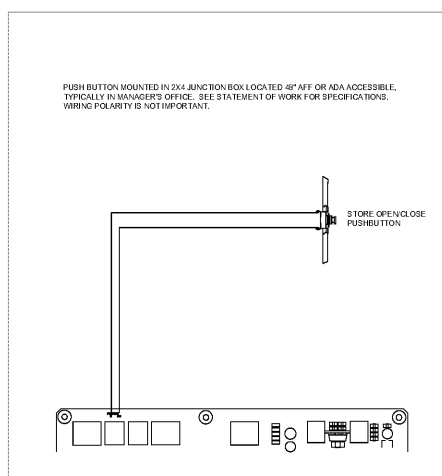
PRINTED: 6/22/2017 5:25 PM BY: Travis Spikes LAST SAVED: 4/27/2017 2:01 PM BY: Westonqualls  
 c:\family\_dollar\2017.0123\_greenville\_sc - white horse - durban\drawings\mep\_elec\sheet\ec30.dwg



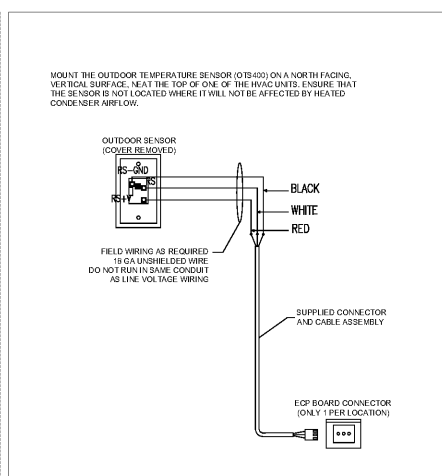
13 MOTION SENSORS  
NTS



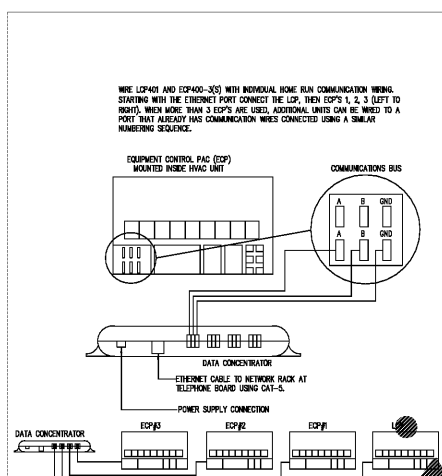
12 OUTDOOR LIGHT SENSOR  
NTS



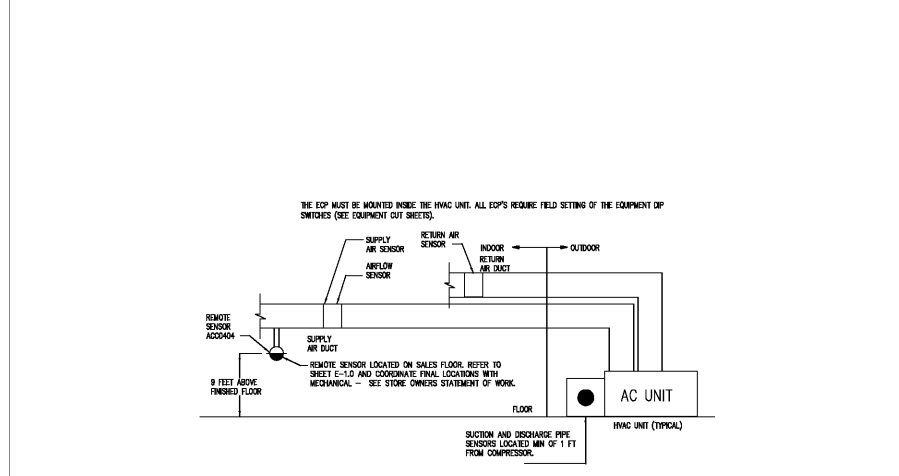
11 STORE OPEN/CLOSE PUSHBUTTON  
NTS



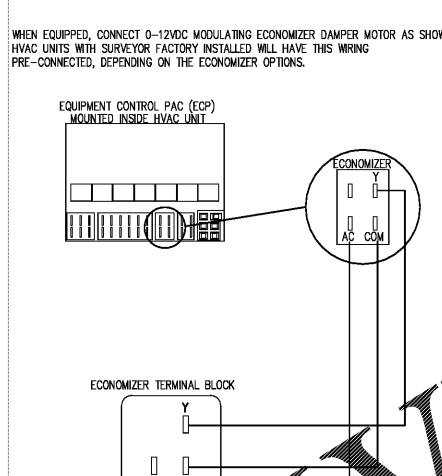
10 OUTDOOR TEMP SENSOR DETAILS  
NTS



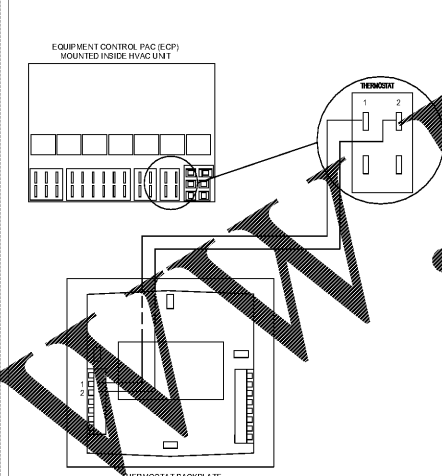
9 RS485 COMMUNICATION WIRING  
NTS



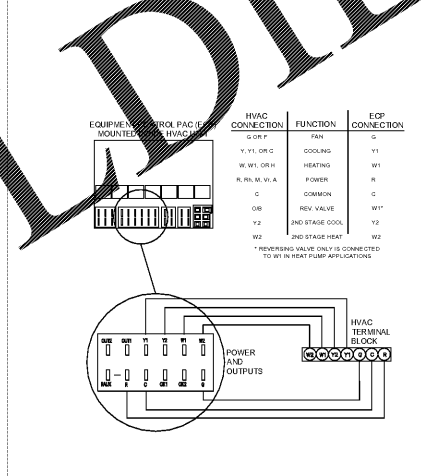
7 ECP SENSOR POSITIONS  
NTS



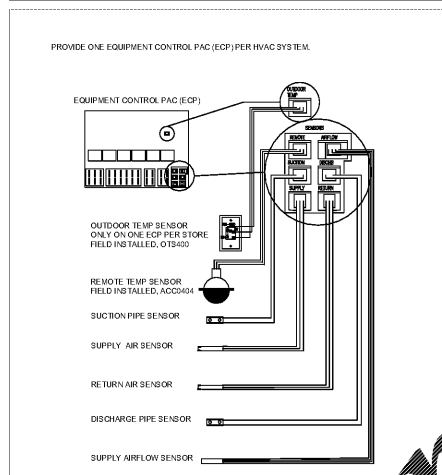
8 ECONOMIZER WIRING IF USED  
NTS



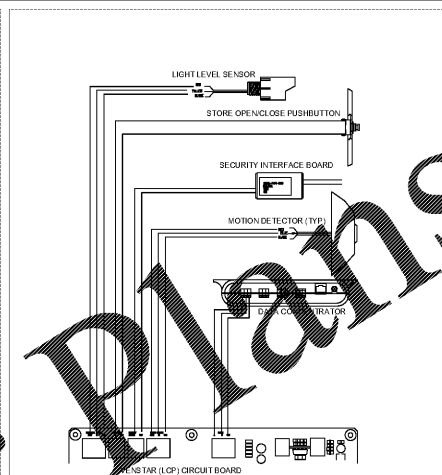
6 THERMOSTAT WIRING  
NTS



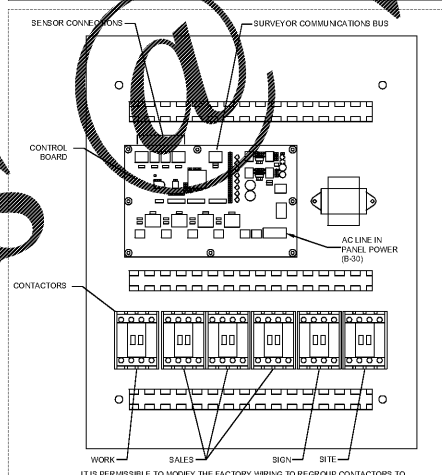
5 HVAC CONTROL WIRING PAK (ECP) SENSORS  
NTS



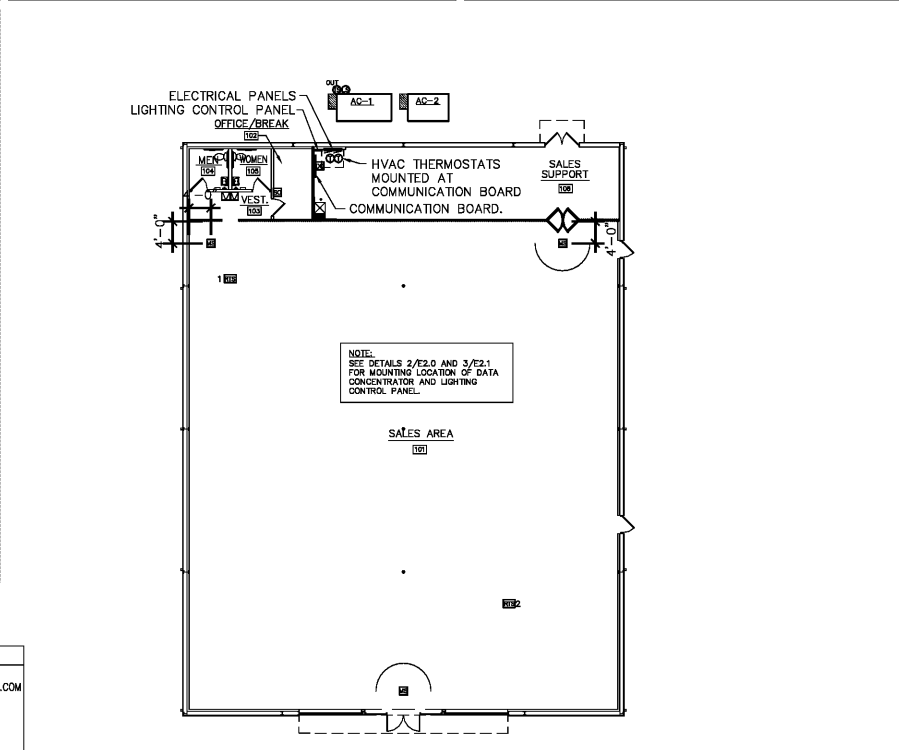
4 EQUIPMENT CONTROL (ECP)  
NTS



3 LIGHTING CONTROL SENSORS  
NTS



2 LIGHTING CONTROL PANEL  
NTS



1 VENSTAR PLAN  
1/16" = 1'-0"

**GETTING STARTED**  
 PROGRAM SEQUENCES: PRESS THE PROGRAM BUTTON. USE THE MODE BUTTON TO ADVANCE THROUGH THE PROGRAMMING SCREENS. USE UP AND DOWN ARROWS TO ADJUST THE FLASHING ITEMS EACH SCREEN.  
 VIEW SENSORS: PRESS THE OUTSIDE BUTTON. USE THE OR DOWN BUTTONS TO ADVANCE TO THE NEXT SENSOR MENU.  
 1. OUTSIDE TEMP. 6. SUPPLY AIR TEMP.  
 2. REMOTE HUMIDITY 7. DISCHARGE PIPE TEMP.  
 3. INSIDE HUMIDITY 8. RETURN AIR TEMP.  
 4. REMOTE TEMP. 9. AIR VELOCITY (FPM)  
 5. SUCTION PIPE TEMP. 10. SECONDARY VOLTAGE

**VENSTAR ORDERING NOTES:**  
 1. THE GENERAL CONTRACTOR IS TO CONTACT ONE OF THE FOLLOWING VENDORS 6 WEEKS PRIOR TO NEEDING THE WORK COMPLETED.  
 A. THE VENSTAR INSTALLER SHOULD BE SCHEDULED TO COME IN AFTER THE DATA CIRCUIT HAS BEEN INSTALLED AND THE NETWORK EQUIPMENT HAS BEEN ACTIVATED.  
 B. PER THE CALENDAR INCLUDED IN CA 15-06 THE DATA CIRCUIT IS TO BE INSTALLED AND THE NETWORK EQUIPMENT ACTIVATED IN WEEK 3 BASED ON POSSESSION.  
 2. PROVIDE THE VENDOR WITH THE NUMBER OF HVAC UNITS.  
 3. THE VENDOR WILL ORDER THE EQUIPMENT AND HAVE IT SHIPPED. (4 WEEK LEAD TIME.)  
 4. THE VENDOR WILL INSTALL THE EQUIPMENT AND COMMISSION IT. THE VENDOR WILL BE RESPONSIBLE FOR RETURN TRIPS IF VENSTAR IS NOT FULLY FUNCTIONAL.  
 GC IS RESPONSIBLE FOR PAYING THE VENDOR AS PART OF THE GC CONTRACT WITH FDS.

**THE APPROVED VENDORS:**

<b>CHRIS KIETA</b> SYLVANIA LIGHTING SERVICES CHRISTOPHER.KIETA@SYLVANIA.COM 628-490-5314 OFFICE 129 PORTSMOUTH AVE. EXETER, NH 03833 * \$4,600 FOR FIRST TWO A/C UNITS. * COST PER ADDITIONAL A/C UNIT IS \$400 EACH.	<b>JAMES STOVER</b> STOVER ELECTRIC, INC. JAMES@STOVERELECTRIC.COM 605-581-0740 OFFICE 469 GRINNELL COURT SMI VALLEY, CA 93085 * \$165 FOR UP TO FOUR A/C UNITS. * COST PER ADDITIONAL A/C UNIT IS \$540 EACH.	<b>JASON HUGHES</b> JHUGHES@STONESRIVERELECTRIC.COM STONES RIVER ELECTRIC 1244 GALLATIN PIKE, SOUTH MADISON, TENNESSEE 37115 258-426-7328 * \$5165 FOR UP TO FOUR A/C UNITS. * COST PER ADDITIONAL A/C UNIT IS \$400 EACH.
---	---	--

**VENSTAR NOTES**

- DRAWINGS ARE FOR GENERAL INFORMATION ONLY. CONSTRUCTION AND PRICING SHALL BE BASED UPON SHOP DRAWINGS WHICH HAVE BEEN APPROVED BY FAMILY DOLLAR STORE.
- LOCAL BUILDING CODES, BUILDING PLANS AND STORE OWNER STATEMENT OF WORK TAKE PRECEDENCE OVER THIS DOCUMENT.
- ALL ECP'S REQUIRE SETTING OF THE EQUIPMENT NUMBER DIP SWITCHES AND HEAT PUMP JUMPERS AS APPROPRIATE. REFER TO THE EQUIPMENT CONTROL PAC INSTALLATION INSTRUCTIONS FOR FURTHER INFORMATION.
- THERMOSTAT, PHOTOCELL, AND MOTION DETECTOR WIRING SHOULD BE 18-20 GAUGE; COMMUNICATIONS BUS WIRING SHOULD BE CAT-5.
- WIRING MAY BE RUN IN CONDUIT OR WIRE TIED IN BUNDLES AS SPECIFIED. SEE CUSTOMER IN THE STORE OWNER STATEMENT OF WORK.
- DO NOT RUN COMMUNICATION AND SENSOR WIRES IN THE SAME CONDUIT OR BUNDLE WITH CONTROL AND LINE VOLTAGE WIRING.
- CAUTION INSTALLATION REQUIRES REMOVAL OF SAFETY COVERS AND EXPOSE THE INSTALLER TO ELECTRICAL HAZARDS. USE OF A LICENSED ELECTRICIAN IS REQUIRED. FOLLOW ALL APPROPRIATE SAFETY PRECAUTIONS. ADDITIONAL SAFETY INFORMATION IS IN THE SURVEYOR INSTALLATION MANUALS.
- ENERGY MANAGEMENT VENDOR IS RESPONSIBLE FOR PROVIDING THE WIRING AND INSTALLATION.
- ENERGY MANAGEMENT INSTALLER RESPONSIBLE TO RE-TIGHTEN ALL FACTORY WIRING TERMINATIONS UPON DELIVERY OF VENSTAR SURVEYOR EQUIPMENT.
- THE VENSTAR SURVEYOR EQUIPMENT IS FACTORY PRE-WIRED. THE ENERGY MANAGEMENT VENDOR IS RESPONSIBLE TO MAKE ANY MINOR ADJUSTMENTS DUE TO CHANGE MADE IN THE FIELD.
- FOR HVAC SYSTEMS MOUNT THE EQUIPMENT CONTROL PAC (ECP400-3) AT THE AIR HANDLING UNIT. DISCONNECT THE SENSOR AS CLOSE TO THE INLET OF THE CONDENSER AND THE REFRIGERANT AS CLOSE TO THE OUTLET OF THE EVAPORATOR AS POSSIBLE.
- FOR TECHNICAL ASSISTANCE, CONTACT VENSTAR TECHNICAL SUPPORT AT 818-812-9812.
- ENERGY MANAGEMENT (EXCEL SPREADSHEET) FAMILY DOLLAR-VENSTAR ORDER FORM, PROVIDED BY VENSTAR SPEC VENDOR, TO REQUEST ALL SURVEYOR EMS EQUIPMENT.
- FAMILY DOLLAR STORE NUMBER IS REQUIRED WHEN SUBMITTING EMS EQUIPMENT ORDERS.
- ALLOW 2 WEEKS FOR ASSEMBLY AND SHIPPING TO SITE.
- THE INTERIOR MOTION SENSORS, LIGHT LEVEL SENSOR, REMOTE TEMPERATURE SENSOR(S), THERMOSTATS, EQUIPMENT CONTROL PACS, AND DATA CONCENTRATOR SHALL BE INSTALLED BY THE ENERGY MANAGEMENT INSTALLER. THE ENERGY MANAGEMENT INSTALLER SHALL FIELD COORDINATE FINAL LOCATION OF VENSTAR EQUIPMENT CONTROLS WITH FAMILY DOLLAR PRIOR TO INSTALLATION.
- STANDARD BILL OF MATERIALS:  
 - LCP401 - LIGHTING CONTROL PANEL (1 PER STORE, WHEN APPLICABLE)  
 - DC400-E2 - DATA CONCENTRATOR (1 PER STORE)  
 - OTS400 - OUTDOOR TEMPERATURE SENSOR (1 PER STORE)  
 - ECP400-3 - EQUIPMENT CONTROL PAC (1 PER HVAC UNIT)  
 - CT414 - COMMUNICATING THERMOSTAT (1 PER HVAC UNIT)  
 - SP400 - SENSOR PAC (1 PER HVAC)  
 - ACC0404 - DROP DOWN SENSOR (1 PER HVAC UNIT)  
 - MD400 - INTERIOR MOTION DETECTOR (2 ADDITIONAL PER STORE, 1 INCLUDED WITH LCP401)

**VENSTAR SYSTEM SYMBOL LEGEND**

MS	MOTION SENSOR MOUNTED 11" AFF. SEE 13/E3.0. (TYP. 3 PER STORE) EXACT LOCATION OF MOTION SENSORS SHALL BE CONFIRMED WITH FAMILY DOLLAR PROJECT MANAGER PRIOR TO INSTALLATION.
SO	STORE OPEN/CLOSE PUSHBUTTON MOUNTED 4" AFF PER ADA. SEE 11/E3.0.
DC	DATA CONCENTRATOR MOUNTED AT COMMUNICATION BOARD. SEE 9/E3.0 AND 3/E2.1.
Ⓢ	HVAC THERMOSTATS MOUNTED AT COMMUNICATION BOARD. SEE 6/E3.0 AND 3/E2.1. (TYP. 1 PER HVAC SYSTEM)
RTS	REMOTE TEMPERATURE SENSOR MOUNTED 9" AFF. SEE 8/E3.0. (TYP. 1 PER HVAC SYSTEM) LOCATE ONE REMOTE TEMPERATURE SENSOR NEAR CASH WRAP AND ONE NEAR DIAGONALLY OPPOSITE SIDE OF SALES AREA NEAR BACK WALL.
Ⓢ	OUTDOOR LIGHT SENSOR. SEE 12/E3.0.
Ⓢ OUT	OUTDOOR TEMPERATURE SENSOR. SEE 10/E3.0.
Ⓢ	EQUIPMENT CONTROL PAC (ECP). SEE DETAILS 4,5,6 & 7 ON E3.0. (TYP. 1 PER HVAC SYSTEM)
Ⓢ	LIGHTING CONTROL PANEL MOUNTED NEXT TO ELECTRICAL PANELS. SEE 2/E3.0 & 3/E3.0.

**pb2**  
 architecture  
 + engineering  
 1606 Avenue Suite 100  
 Greenville, SC 29615  
 Tel: 479.636.3545  
 Fax: 479.636.1209  
 Engineer of Record  
 Keith A. Williams, P.E.  
 South Carolina License No. 25844  
 COA Number: 4672

**STIPULATION FOR REUSE**  
 THIS DRAWING WAS PREPARED FOR THE EXCLUSIVE USE OF THE PROJECT IDENTIFIED HEREIN. IT IS NOT TO BE REPRODUCED, COPIED, OR TRANSMITTED IN ANY FORM OR BY ANY MEANS, ELECTRONIC OR MECHANICAL, INCLUDING PHOTOCOPYING, RECORDING, OR BY ANY INFORMATION STORAGE AND RETRIEVAL SYSTEM, WITHOUT THE WRITTEN PERMISSION OF THE ARCHITECT. ANY REUSE OF THIS DRAWING FOR ANY OTHER PROJECT WITHOUT THE WRITTEN PERMISSION OF THE ARCHITECT IS PROHIBITED. THE ARCHITECT'S LIABILITY IS LIMITED TO THE PROJECT IDENTIFIED HEREIN AND SHALL NOT BE EXTENDED TO ANY OTHER PROJECT. ANY REUSE OF THIS DRAWING FOR ANY OTHER PROJECT SHALL BE AT THE USER'S SOLE RISK AND SHALL BE CONTRARY TO THE LAW.

**FAMILY DOLLAR STORE**  
 1145 WHITE HORSE RD.  
 GREENVILLE, SOUTH CAROLINA  
 JOB NUMBER: 2017.0123

**ISSUE BLOCK**


CHECKED BY: HS  
 DRAWN BY: WQ  
 PROTO CYCLE: 2016-01  
 DOCUMENT DATE: 06.22.17

STATE OF SOUTH CAROLINA  
 P&B Architecture + Engineering, PLLC  
 100115  
 REGISTERED ARCHITECT

STATE OF SOUTH CAROLINA  
 PROFESSIONAL ENGINEER  
 No. 23844  
 KEITH A. WILLIAMS  
 P.E.  
 6/22/17

**VENSTAR SYSTEM PLAN AND DETAILS**

SHEET: E3.0