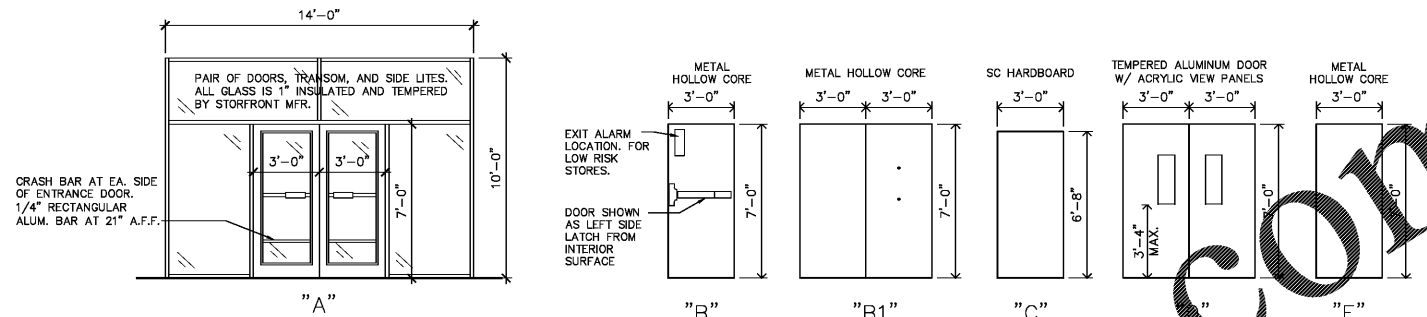
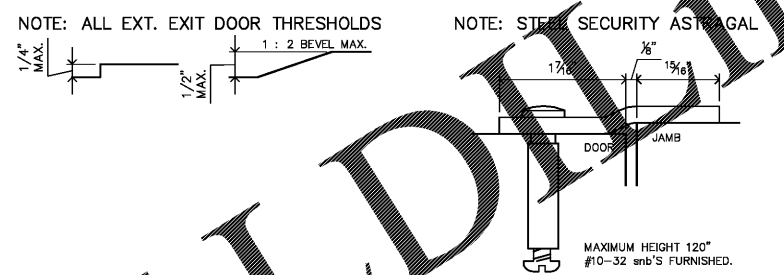


DOOR SCHEDULE										
NOTES	MARK	SIZE	THICK	TYPE	MAT'L	BUTTS	LOCK	CLOSER	THRESHOLD	REMARKS
2,4,5,8,10,11	ENTRANCE	1 PAIR OF 3'-0" X 7'-0"	1 3/4"	A	ALUM./GLASS	CONTINUOUS HINGE W/ STANDARD DOOR CLOSURE - CLEAR FINISH TO MATCH STOREFRONT	DOUBLE CYLINDER 2BD. PROVIDE ON OPPOSITE LEAF OF FLUSH BOLTS	105 DEG. HOLD OPEN	1/2" ALUM. MILL FINISH	PUSH AND PULL BARS-STD. FINISH W/ PILE CLOTH WEATHERING IN DOOR AND FRAME. CRASH BARS BOTH SIDES - SEE ELEV. FRAME: ANODIZED CLEAR FINISH. PROVIDE TRIMED FLUSHBOLTS ON ONE LEAF.
1,2,3,4,7,8,9	EXTERIOR SALES SUPPORT	2 PAIR OF 3'-0" X 7'-0"	1 3/4"	B1	H.M.	3 PR-4 1/2"x4 1/2" USP W/NRP	REF NOTE 7 & 8	YES, PAINTED	1/2" ALUM. MILL FINISH HEAVY DUTY	HARDWARE STATED IN NOTES 7 & 8 ARE PANIC STYLE ALARMED HARDWARE 2-PEEP SITES @ 5'-0" AND 43" AFF
2,6	SALES SUPPORT	3 PAIR OF 3'-0" X 7'-0"	1 3/4"	D	ALUM./ACRYLIC	ALL HARDWARE BY ELIASON DOOR MANUFACTURER PAINT HM FRAME TO MATCH WALL. NOTE: HM FRAME IS A CASED OPENING WITH NO RABBETS OR STOPS FROM COOK & BOARDMAN				ELIASON EASY SWING DOOR SYSTEM: MODEL LWP-3, NO STOPS ALL HARDWARE BY MFG
1,2,3,8	OFFICE/BREAK	4 3'-0" X 6'-8"	1 3/4"	C	SC HARDBOARD	1 1/2" PR-4 1/2"x4 1/2" USP	STOREROOM LOCKSET WITH LEVER HANDLE	YES, PAINTED	N/A	DOOR UNDERCUT 1" (TYP.)
1,2,3,8	MENS	5 3'-0" X 6'-8"	1 3/4"	C	SC HARDBOARD	1 1/2" PR-4 1/2"x4 1/2" USP		YES, PAINTED	N/A	
1,2,3,8	WOMENS	6 3'-0" X 6'-8"	1 3/4"	C	SC HARDBOARD	1 1/2" PR-4 1/2"x4 1/2" USP		YES, PAINTED	N/A	
1,2,3,4,7,8,9	SALES AREA EMERGENCY	7 3'-0" X 7'-0"	1 3/4"	B	H.M.	1 1/2" PR-4 1/2"x4 1/2" USP W/NRP	SEE NOTES 7 AND 8 HARDWARE IS SPECIFIC TO RISK CLASS OF STORE	YES, PAINTED	1/2" ALUM. MILL FINISH	HARDWARE STATED IN NOTES 7 & 8 ARE PANIC STYLE ALARMED HARDWARE
1,2,3,4,9,12	SALES AREA FIRE ACCESS DOOR	8 3'-0" X 7'-0"	1 3/4"	E	H.M.	1 1/2" PR-4 1/2"x4 1/2" USP W/NRP	SEE NOTE 12	NO	1/2" ALUM. MILL FINISH	REF NOTE 12 FOR HARDWARE WITHOUT CLOSER OR EXIT DEVICE
1,3	VESTIBULE	9 3'-0" X 6'-8"	1 3/4"	-	H.M. FRAME	NOTE: H.M. FRAME IS A CASED OPENING WITH NO RABBETS OR STOPS FROM COOK AND BOARDMAN				

- ALL DOOR FRAMES, CASED OPENINGS AND HARDWARE MATERIALS WILL BE SUPPLIED BY COOK AND BOARDMAN THROUGH THE GC. GC IS RESPONSIBLE FOR INSTALLATION. REFER TO COOK AND BOARDMAN CONTACT INFO ON SHEET 11.
- ALL DOOR HARDWARE TO MEET ADA REQUIREMENTS. DOOR TO MEET ADA DOOR OPENING PRESSURE GUIDELINES, MAX. 5 LBS (INT) & 10-15 LBS (EXTERIOR).
- ALL HOLLOW METAL DOORS AND FRAMES ARE TO BE PAINTED IN FIELD TO MATCH WALL SURFACE ON EACH SIDE PER EXTERIOR AND INTERIOR FINISH SCHEDULES.
- EXTERIOR DOORS- INSTALL BRUSH STYLE DOOR SWEEPS. (X) X=3', 3'-6" OR 4'.
- STOREFRONT NOTE: PROVIDE HEAD RECEPTOR WHEN SNOW LOAD IS EQ. TO OR GREATER THAN 20 PLF. IF SO THEN GC IS TO PROVIDE MULLION HEAD RECEPTOR.
- ELIASON DOOR, G.C. IS RESPONSIBLE FOR PROVIDING AND INSTALLING ELIASON DOOR AND HARDWARE.
- THIS STORE IS CONSIDERED RISK CLASS 2, YALE SDA 16XL STAND ALONE ALARM, RIM, EXIT DEVICE. DOUBLE DOOR WILL ALSO HAVE DUST PROOF STRIKE, FLUSH BOLTS AND ASTRAGAL.
- ALL LOCKS ARE TO COME WITH STANDARD 7-PIN SMALL FORMAT INTERCHANGEABLE CORES (SFC). GC IS TO PURCHASE INSTAKEY CORES AND THE CYLINDERS FOR THE YALE SDA 16XL STAND ALONE ALARM FROM SECURITY SOURCE - EILEEN MOTA 978-284-2049 EMAIL:EMOTA@SECURITYSOURCE.COM.
- SECURITY SOURCE WILL SHIP (5) KEYS: (1) BLUE KEY FOR INSTALLING THE CORE(S), (3) KEYS STAMPED WITH AN "M" THAT WILL OPEN ANY DOOR, AND (1) KEY WITH AN "I" THAT WILL OPEN INTERIOR DOORS.
- PROVIDE STEEL SECURITY ASTRAGAL (2 1/2"x 3/16" THK) MOUNTED ON THE EXTERIOR FACE OF THE DOOR. ASTRAGAL BY SECURITY SOURCE.
- STOREFRONT DEADLATCH SHALL HAVE ACCESSIBLE LEVER AND LOCKING STATUS INDICATOR.
- PROVIDE NYLON WASHER/GROMMETS AT THE DOOR HANDLES AND CRASH BARS TO PREVENT METAL ON METAL CONTACT.
- PROVIDE SCHLAGE B SERIES ONE-WAY DEADBOLT WITH 7-PIN SMALL FORMAT INTERCHANGEABLE CORE(SFC)(B661P 626) AND YALE SDA 16XL STAND ALONE ALARM. THIS DOOR TO RECEIVE A SIGN THAT READS "NOT AN EXIT" IN LETTERS 6" HIGH. THE COLOR OF THE CHARACTERS IS TO BE HIGH CONTRAST FROM THE COLOR OF THE DOOR.

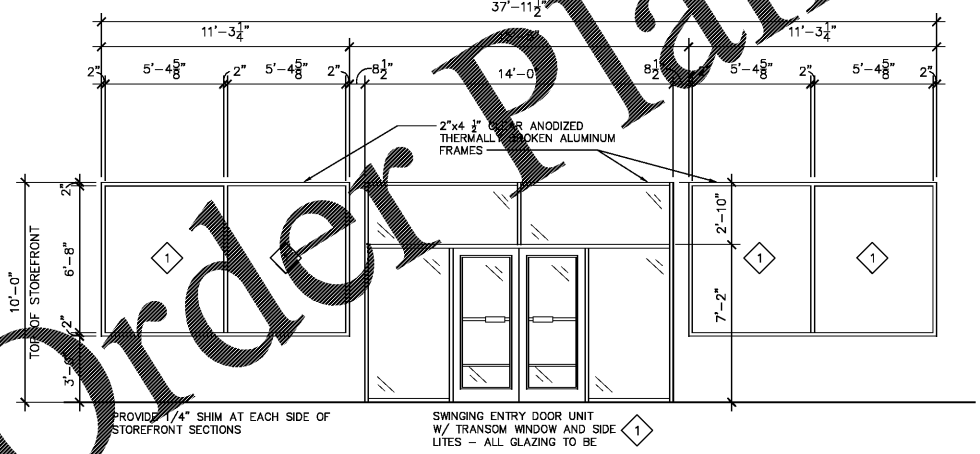


DOOR TYPES

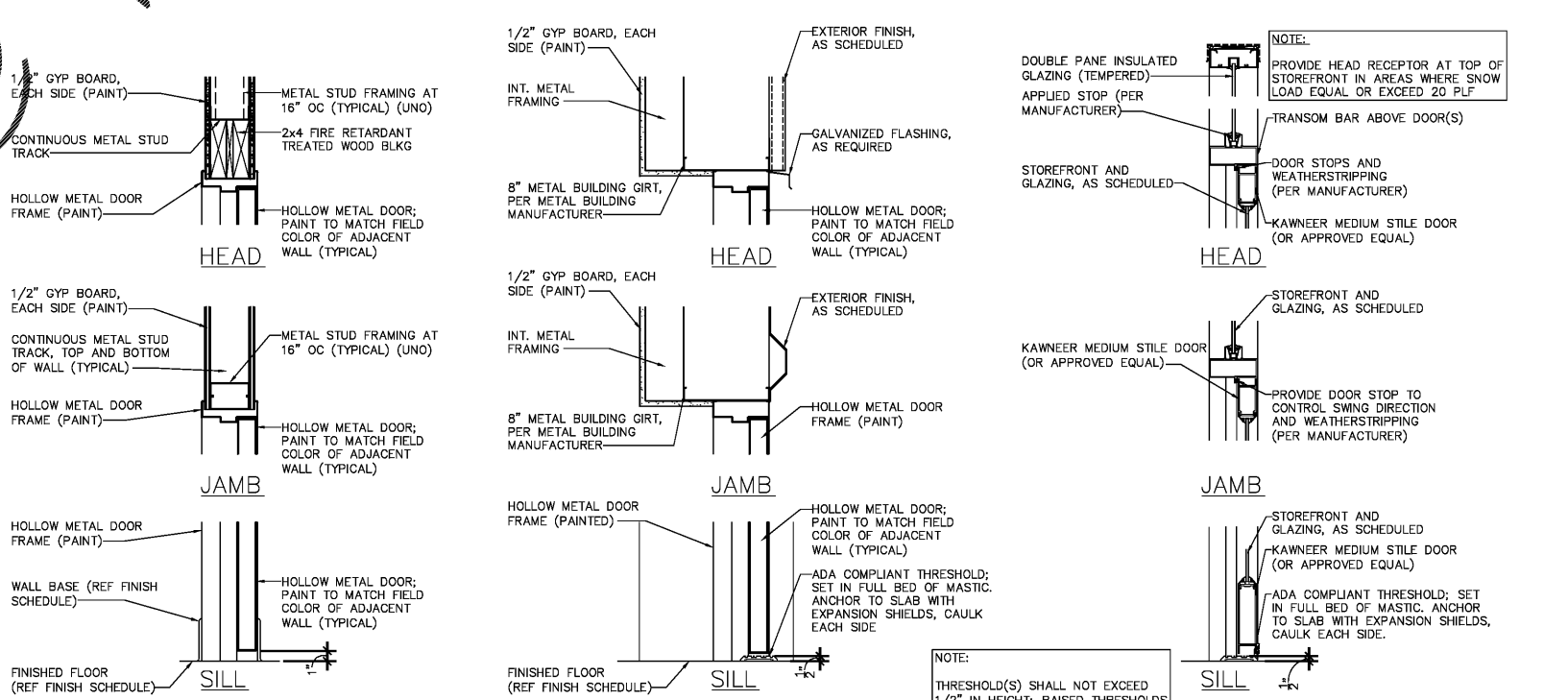


GLAZING SCHEDULE		GLAZING NOTES:
MARK	DESCRIPTION	
1	CLEAR 1" INSULATED TEMPERED GLASS	GLAZING INTERSPACE CONTENT SHALL BE AIR WITH CLEAR INSIDE GLASS. FOR OUTSIDE GLASS PROVIDE GLAZING PERFORMANCE VALUES BASED ON OLDCASTLE GLASS OR EQUAL. TINTED - 1/4" PPG SOLARBAN 60 ON SOLARGRAY LOW-E #2 (U=.29 SHGC=.25 LIGHT/SG=1.4 TRANSMITTANCE=35%) CLEAR - 1/4" PPG SOLARBAN 60 ON CLEAR LOW-E #2 (U=.29 SHGC=.39 LIGHT/SG=1.79 TRANSMITTANCE=74%)

NOTE: STOREFRONT MANUFACTURER TO PROVIDE DOCUMENTATION THAT DESIGN MEETS ALL LOCAL CODES INCLUDING WIND (OR SNOW) LOAD REQUIREMENTS MANUFACTURER TO PROVIDE ALTERNATES FOR APPROVAL IF INDICATED PRODUCT DOES NOT COMPLY



2 STOREFRONT ELEVATION  
1/4" = 1'-0"



1 DOOR DETAILS  
1 1/2" = 1'-0"

NOTE: THRESHOLD(S) SHALL NOT EXCEED 1/2" IN HEIGHT; RAISED THRESHOLDS AND FLOOR LEVEL CHANGES AT ACCESSIBLE DOORWAYS SHALL BE BEVELED WITH A SLOPE NO GREATER THAN 1:2 (TYPICAL)

**pb2**  
architecture  
+engineering

Alax Avenue Suite 100  
Greenville, SC 29615  
Phone: 864.727.7268  
Fax: 864.727.7269

Architect of Record  
William Douglas Hurley  
South Carolina License No. 4704  
Firm SC License Number: 100115

STIPULATION FOR REUSE  
THIS DRAWING WAS PREPARED FOR THE PROJECT AND SITE SPECIFICALLY IDENTIFIED ABOVE. IT IS NOT TO BE REUSED FOR ANY OTHER PROJECT OR SITE WITHOUT THE WRITTEN PERMISSION OF pb2 ARCHITECTURE + ENGINEERING. ANY REUSE OF THIS DRAWING FOR ANY OTHER PROJECT WITHOUT THE WRITTEN PERMISSION OF pb2 ARCHITECTURE + ENGINEERING IS STRICTLY PROHIBITED. REPRODUCTION OF THIS DRAWING WITHOUT THE WRITTEN PERMISSION OF pb2 ARCHITECTURE + ENGINEERING IS STRICTLY PROHIBITED. PROJECT IS NOT TO BE REPRODUCED OR TRANSMITTED IN ANY FORM OR BY ANY MEANS, ELECTRONIC OR MECHANICAL, INCLUDING PHOTOCOPYING, RECORDING, OR BY ANY INFORMATION STORAGE AND RETRIEVAL SYSTEM. PROJECT IS NOT TO BE REPRODUCED OR TRANSMITTED IN ANY FORM OR BY ANY MEANS, ELECTRONIC OR MECHANICAL, INCLUDING PHOTOCOPYING, RECORDING, OR BY ANY INFORMATION STORAGE AND RETRIEVAL SYSTEM. PROJECT IS NOT TO BE REPRODUCED OR TRANSMITTED IN ANY FORM OR BY ANY MEANS, ELECTRONIC OR MECHANICAL, INCLUDING PHOTOCOPYING, RECORDING, OR BY ANY INFORMATION STORAGE AND RETRIEVAL SYSTEM.

**FAMILY DOLLAR STORE**

1145 WHITE HORSE RD.  
GREENVILLE, SOUTH CAROLINA

JOB NUMBER: 2017.0123

ISSUE BLOCK	

CHECKED BY: JMJ  
DRAWN BY: JMJ  
PROTO CYCLE: 2016-01  
DOCUMENT DATE: 06.22.17

STATE OF SOUTH CAROLINA  
REGISTERED ARCHITECT  
PB2 Architecture + Engineering, PLLC  
100115

STATE OF SOUTH CAROLINA  
REGISTERED ARCHITECT  
WILLIAM DOUGLAS HURLEY  
100115

DOOR SCHEDULE, DETAILS & NOTES

PRINTED: 6/22/2017 5:12 PM BY: Travis Spikes LAST SAVED: 6/22/2017 5:07 PM BY: Travis Spikes  
c:\family\_dollar\2017.0123\_greenville.sc - white horse - durban\drawings\arch\_sheets\070.dwg