

ADA STANDARD NOTES

THIS DRAWING IS NOT INTENDED TO COVER ALL ACCESSIBILITY REQUIREMENTS, BUT RATHER TO HIGHLIGHT AREAS OF COMMON CONCERN. VERIFY ALL ACCESSIBILITY REQUIREMENTS WITH THE ADA AND LOCAL ACCESSIBILITY REQUIREMENTS. THE DETAILS ON THIS SHEET INDICATE GENERAL ACCESSIBILITY REQUIREMENTS. THEY ARE TO BE USED AS INFORMATION AND AS A GUIDELINE FOR SITUATIONS NOT DESCRIBED ON MORE SPECIFIC DRAWINGS. IT IS THE GENERAL CONTRACTOR'S RESPONSIBILITY TO APPLY THE DETAILS AS REQUIRED. IF ANY OF THE DETAILS ON THIS SHEET CONFLICT WITH OTHER CONSTRUCTION DOCUMENTS NOTIFY THE ARCHITECT OF RECORD. STANDARDS ARE BASED ON ANSI-A117.1. MORE STRINGENT REQUIREMENTS BY FEDERAL OR LOCAL JURISDICTION SHALL TAKE PRECEDENCE.

1. THE MINIMUM CLEAR WIDTH OF AN ACCESSIBLE ROUTE SHALL BE 36 IN. EXCEPT AT DOORS, DOORWAYS AND OPENINGS WITH A MAXIMUM DEPTH OF 24 IN. SHALL HAVE A MINIMUM CLEARANCE OF 32 IN. WITH THE DOOR OPEN 90 DEGREES, MEASURED BETWEEN THE FACE OF THE DOOR AND THE OPPOSITE STOP.
2. WALKS: SLOPE SHALL NOT EXCEED 1% IN THE DIRECTION OF TRAVEL OR 2% IN CROSS SLOPE.
3. PARKING: SLOPE WITHIN ACCESSIBLE PARKING SPACES SHALL BE LESS THAN 2% IN ANY DIRECTION.
4. CURB RAMPS: SHALL NOT EXCEED A SLOPE OF 8%, AND "SIDE" SLOPES ARE NOT TO EXCEED 10% MIN. WIDTH IS 36" MIN. CURB RAMPS SHALL HAVE A DETECTABLE WARNING CONSISTING OF RAISED TRUNCATED DOMES WITH A DIAMETER NOMINAL 0.9" AT A HEIGHT OF NOMINAL 2.35 IN., AND SHALL CONTRAST VISUALLY WITH ADJOINING SURFACES, EITHER LIGHT-ON-DARK, OR DARK-ON-LIGHT.
5. HANDRAILS: MANEUVERING AREA AT LANDINGS AT ALL ENTRANCES IS LEVEL, THE MAXIMUM SLOPE SHALL NOT EXCEED 2%.

pb2
architecture
+ engineering

Alex Avenue Suite 100
Greenville, SC 29615
Phone: 479.636.3545
Fax: 479.636.1209

Architect of Record
William Douglas Hurley
South Carolina License No. 4704
Firm SC License Number: 100115

STIPULATION FOR REUSE
THIS DRAWING WAS PREPARED FOR THE PROJECT IDENTIFIED ABOVE. IT IS NOT TO BE REUSED FOR ANY OTHER PROJECT WITHOUT THE WRITTEN CONSENT OF pb2 ARCHITECTURE + ENGINEERING. ANY REUSE OF THIS DRAWING FOR ANY OTHER PROJECT WITHOUT THE WRITTEN CONSENT OF pb2 ARCHITECTURE + ENGINEERING IS PROHIBITED. REPRODUCTION OF THIS DRAWING WITHOUT THE WRITTEN CONSENT OF pb2 ARCHITECTURE + ENGINEERING IS STRICTLY PROHIBITED AND MAY BE CONSIDERED A VIOLATION OF THE LAW.

FAMILY DOLLAR STORE

1145 WHITE HORSE RD.
GREENVILLE, SOUTH CAROLINA

JOB NUMBER: 2017.0123

ISSUE BLOCK

NO.	DESCRIPTION	DATE

CHECKED BY: JMW
DRAWN BY: JMW
PROTO CYCLE: 2016-01
ISSUE DATE: 06.22.17

STATE OF SOUTH CAROLINA
PB2 Architecture + Engineering, PLLC
100115
REGISTERED ARCHITECT

STATE OF SOUTH CAROLINA
WILLIAM DOUGLAS HURLEY
100115
REGISTERED ARCHITECT

ACCESSIBILITY STANDARDS

SHEET: AS1

6. HANDRAILS: (IF REQUIRED) SHALL BE INSTALLED BETWEEN 34" AND 36" ABOVE RAMPS.
7. THRESHOLDS AT DOORWAYS SHALL NOT EXCEED 1/2" IN HEIGHT. RAISED THRESHOLDS AND FLOOR LEVEL CHANGES AT ACCESSIBLE DOORWAYS SHALL BE LEVEL WITH A SLOPE NO GREATER THAN 1:2.
8. HANDLES, PULLS, LATCHES, LOOKS AND OTHER OPERATING DEVICES ON ACCESSIBLE DOORS SHALL HAVE A SHAPE THAT IS EASY TO GRASP WITH ONE HAND AND DOES NOT REQUIRE TIGHT GRASPING, TIGHT PINCHING, OR TWISTING OF THE WRIST TO OPERATE. LEVER-OPERATED MECHANISMS, PUSH-TYPE MECHANISMS, AND U-SHAPED HANDLES ARE ACCEPTABLE DESIGNS. HARDWARE REQUIRED FOR ACCESSIBLE DOORS AND PASSAGE SHALL BE MOUNTED NO HIGHER THAN 48 IN. AFF.
9. ALL CLOSERS SHALL BE ADJUSTED SO THAT FROM AN OPEN POSITION OF 90 DEGREES, THE TIME REQUIRED TO MOVE THE DOOR TO A POSITION OF 12 DEGREES FROM THE LATCH IS 5 SECONDS MINIMUM.
10. THE MAXIMUM FORCE FOR PUSHING OR PULLING OPEN AN INTERIOR HINGED DOOR SHALL BE 5 LBS. THESE FORCES DO NOT APPLY TO THE FORCE REQUIRED TO RETRACT LATCH BOLTS OR DISENGAGE OTHER DEVICES THAT MAY HOLD THE DOOR IN A CLOSED POSITION.

GROUND AND FLOOR SURFACES

1. GROUND AND FLOOR SURFACE ALONG ACCESSIBLE ROUTES AND IN ACCESSIBLE ROOMS AND SPACES INCLUDING, FLOORS, WALKS, RAMPS, STAIRS, AND CURB RAMPS, SHALL BE STABLE, FIRM AND SLIP-RESISTANT.
2. CONTROLS AND OPERATING MECHANISMS: CONTROLS AND/OR MECHANISMS SHALL BE OPERABLE WITH ONE HAND AND SHALL NOT REQUIRE PINCHING, TIGHT GRASPING, OR TWISTING OF THE WRIST. THE FORCE REQUIRED TO ACTIVATE CONTROLS SHALL BE NO GREATER THAN 5 LBS. THEY SHOULD BE MOUNTED A MAX. OF 48" AFF AND A MIN. OF 15" AFF.

DRINKING FOUNTAINS

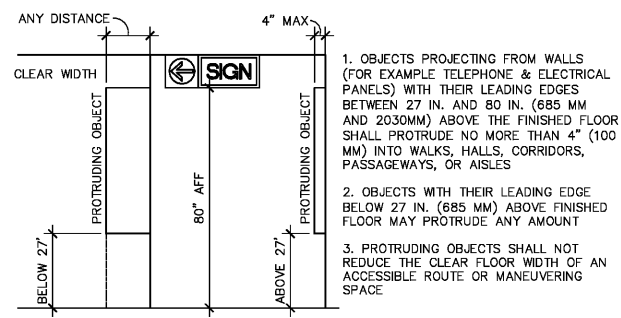
1. DRINKING FOUNTAINS SHALL HAVE THE CONTROLS MOUNTED ON THE FRONT SIDE NEAR THE FRONT EDGE. THE SPOUT SHALL BE 34" AFF. THE SPOUT SHALL BE AT THE FRONT EDGE AND PROVIDE A WATER FLOW AT LEAST 4" HIGH. PROVIDE A SECOND WATER FOUNTAIN MOUNTED AT STANDARD HEIGHT FOR THE PERSONS WITH BENDING PROBLEMS. REF 8-ASI FOR REQUIRED CLEARANCES. PROVIDE A CLEAR FLOOR SPACE OF 30"x48" AT EACH FOUNTAIN.

PUBLIC TOILET ROOMS

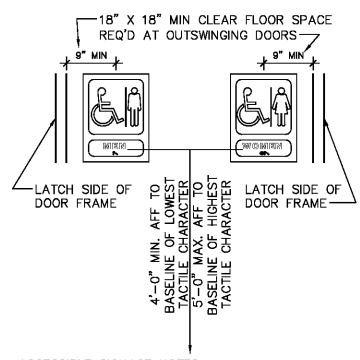
1. ALL TOILET FIXTURES, ACCESSORIES, DOORS AND PARTITIONS TO MEET THE REQUIREMENTS OF THE AMERICANS WITH DISABILITIES ACT.
2. GRAB BARS SHALL BE 1 1/4"-1 1/2" DIAMETER x 42" LONG AT SIDE OF W.C. AND 36" LONG AT BACK OF W.C. STAINLESS STEEL MOUNTED SUCH THAT THERE IS 1 1/2" CLEARANCE BETWEEN THE BAR AND THE WALL. THE BAR SHALL NOT ROTATE IN ITS MOUNTING. THE END OF THE BAR SHALL NOT BE MOUNTED FURTHER THAN 12" FROM THE BACK WALL OF THE TOILET STALL. PROVIDE BACKING IN THE WALLS TO MOUNT THE GRAB BARS SUCH THAT THE BARS WILL SUPPORT 250 POUNDS. THE GRAB BARS SHALL BE MOUNTED WITH THE TOP OF THE GRIPPING SURFACE AT 36" AFF.
3. THE WATER CLOSET SEAT SHALL BE 18" AFF AND THE W.C. SHALL BE MOUNTED 18" FROM THE SIDE WALL TO THE CENTER OF THE W.C. THE FLUSH VALVE SHALL BE A MAX. OF 44" AFF AND LOCATED ON THE WIDE SIDE OF THE ROOM OR STALL.
4. THE TOILET PAPER HOLDER SHALL BE 24" AFF TOILET PAPER DISPENSERS THAT CONTROL DELIVERY OR THAT DO NOT PERMIT CONTINUOUS PAPER FLOW SHALL NOT BE USED.
5. LAVATORIES SHALL BE MOUNTED SUCH THAT THE RIM IS NO HIGHER THAN 34" AFF. REF 4-ASI FOR REQUIRED CLEARANCES. THERE SHALL BE NO ABRASIVE SURFACES.
6. FAUCETS SHALL BE LEVER OPERATED, PUSH TYPE OR ELECTRONICALLY CONTROLLED. SELF CLOSING VALVES SHALL BE OPEN TO SECONDS MIN. FAUCETS SHALL REQUIRE A MAX. OF 5 LBS. FORCE TO OPERATE.
7. MIRRORS SHALL BE MOUNTED SUCH THAT THE LOWER REFLECTING SURFACE IS 40" AFF MAX AND THE UPPER REFLECTING SURFACE IS 74" AFF MIN.
8. PAPER TOWEL DISPENSER AND WASTE DISPENSER OR ELECTRIC HAND DRYERS SHALL BE MOUNTED SUCH THAT THE ACCESS OR CONTROL IS MOUNTED 48" AFF MAX.

SIGNAGE

1. SIGNAGE LETTERS AND NUMERALS SHALL BE RAISED 1/32" FROM THE BACKGROUND ON WHICH THEY ARE MOUNTED AND SHALL BE 5/8" MIN TO 2" MAX IN HEIGHT. LETTERS SHALL BE UPPER CASE ONLY. LETTERS AND NUMERALS SHALL BE SANS-SERIF OR SIMPLE SERIF TYPE WITH SHARPLY DEFINED EDGES. SIGNAGE SHALL BE ACCOMPANIED WITH GRADE 2 BRAILLE. RAISED CHARACTERS: PICTOGRAMS SHALL BE ACCOMPANIED BY THE EQUIVALENT VERBAL DESCRIPTION PLACED DIRECTLY BELOW THE PICTOGRAM. CHARACTERS AND SYMBOLS SHALL CONTRAST WITH THEIR BACKGROUND AND BOTH SHALL BE OF A NON-SLARE CLEAR SPACE OF 18"x18" SHALL BE ACCOMMODATED FOR EACH SIGN. CHARACTER PROPORTIONS AND STROKE THICKNESS TO BE IN ACCORDANCE WITH THE 2010 ADA STANDARDS FOR ACCESSIBILITY DESIGN SECTION 703.
2. EXIT SIGNS AT EXIT DOORS SHALL INCLUDE RAISED BRAILLE IN ACCORDANCE WITH THE 2010 ADA STANDARDS FOR ACCESSIBILITY DESIGN SECTION 703 AND FOLLOW LOCAL AND STATE CODES. MOUNT PER 15-ASI.
3. SAFETY DEVICES DESIGNATED AND INTENDED FOR PUBLIC USE (FIRE ALARM PULL STATIONS, FIRE EXTINGUISHERS, ETC) SHALL BE IDENTIFIED WITH ADA COMPLIANT SIGNAGE.
4. THE FOLLOWING ELEMENTS AND SPACES OF ACCESSIBLE BUILDINGS SHALL BE IDENTIFIED BY THE INTERNATIONAL SYMBOL OF ACCESSIBILITY:
 - 4.1. ACCESSIBLE PASSENGER LOADING ZONES
 - 4.2. ACCESSIBLE ENTRANCES - WHEN NOT ALL ENTRANCES ARE ACCESSIBLE, INACCESSIBLE ENTRANCES SHALL HAVE ADA COMPLIANT SIGNAGE INDICATING THE DIRECTION TO THE NEAREST ACCESSIBLE ENTRANCE.
 - 4.3. ACCESSIBLE TOILET FACILITIES

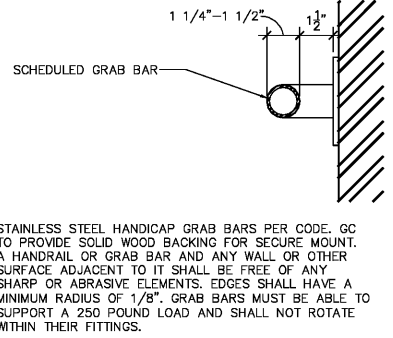


14 PROTRUDING OBJECTS
3/8"=1'-0"

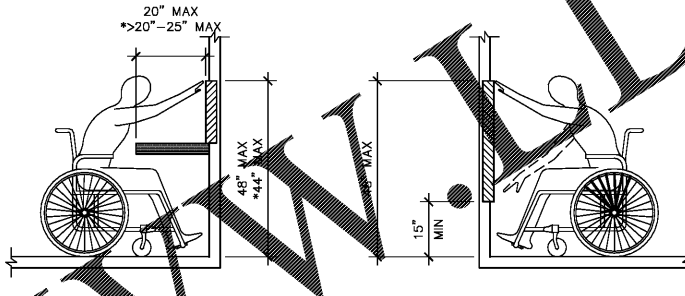


- ACCESSIBLE SIGNAGE NOTES:
1. THE BORDER DIMENSION OF THE PICTOGRAM SHALL BE 6" MIN HEIGHT.
 2. USE OF MALE AND FEMALE CHARACTERS IS REQUIRED.
 3. THE EQUIVALENT VERBAL DESCRIPTION ("MEN" OR "WOMEN") IS TO BE PLACED DIRECTLY BELOW THE PICTOGRAM.
 4. CLEAR SPACE OF 18"x18" CENTERED ON THE LETTERS TO BE MAINTAINED. IF THE LATCH SIDE WALL CAN NOT ACCOMMODATE THIS, SIGN TO BE INSTALLED ON THE NEAREST ADJACENT WALL.

15 ACCESSIBLE RESTROOM SIGNAGE
3/4"=1'-0"

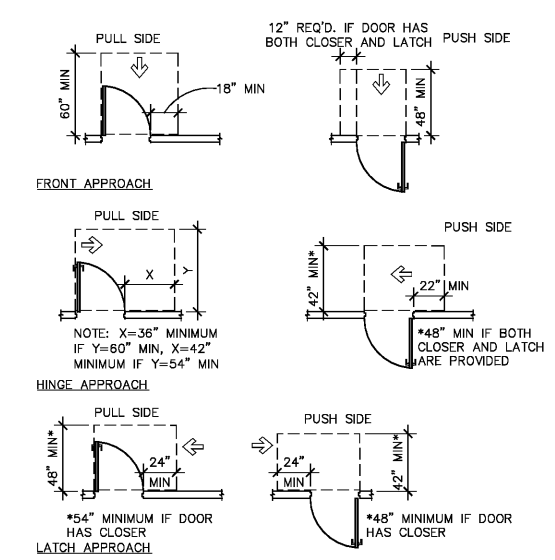


11 ACCESSIBLE GRAB BARS
N.T.S.

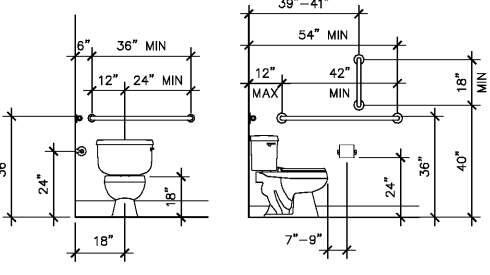


10 UNOBSTRUCTED FORWARD REACH
N.T.S.

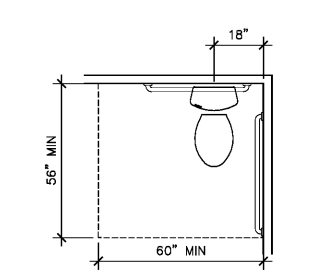
9 UNOBSTRUCTED FORWARD REACH
N.T.S.



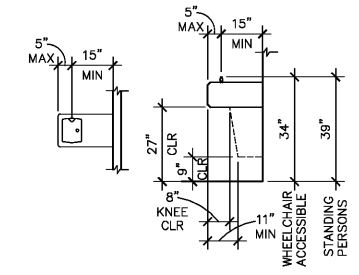
16 DOOR CLEARANCES
3/16"=1'-0"



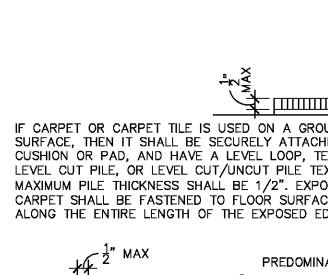
13 GRAB BARS AT WATER CLOSET
N.T.S.



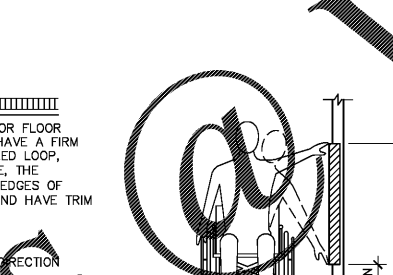
12 CLEARANCE AT WATER CLOSET
N.T.S.



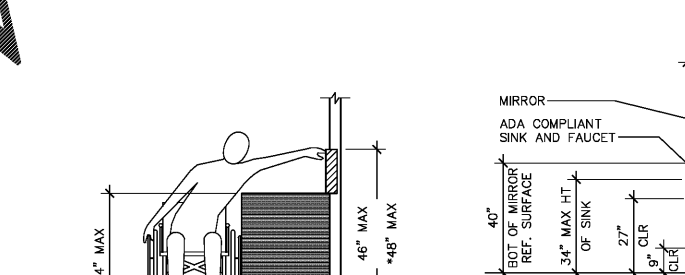
8 E.D.F. CLEARANCES
3/8"=1'-0"



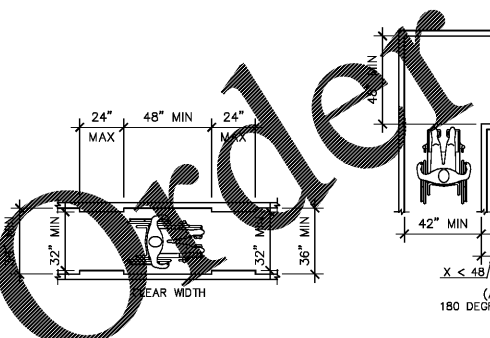
6 UNOBSTRUCTED SIDE REACH
N.T.S.



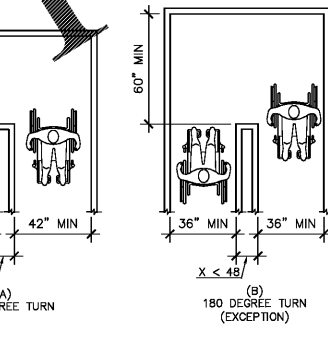
5 OBSTRUCTED SIDE REACH
N.T.S.



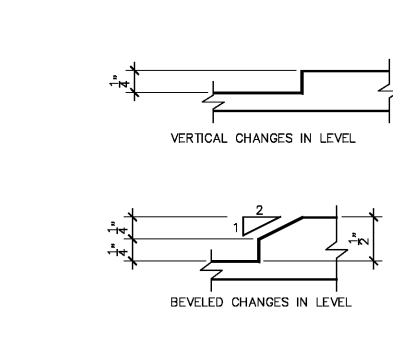
4 LAVATORY CLEARANCES
3/8"=1'-0"



3 ACCESSIBLE ROUTE
N.T.S.



2 CHANGES IN LEVEL
N.T.S.



1 MOUNTING HEIGHTS
N.T.S.

PRINTED: 6/22/2017 5:11 PM BY: Travis Spikes LAST SAVED: 6/21/2017 4:32 PM BY: Travis Spikes
c:\family_dollar\2017.0123_greenville.sc - white horse - durban\drawings\arch\sheets\oa010.dwg