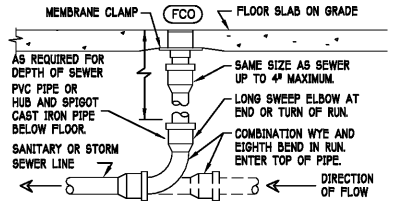
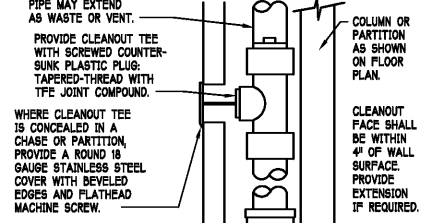


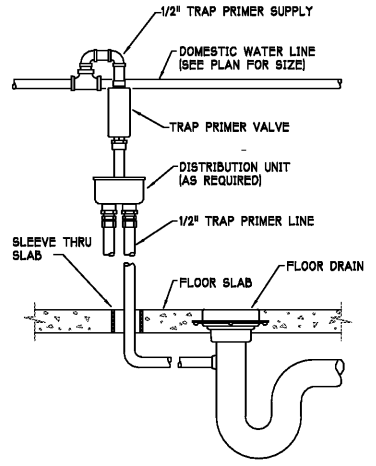
ROUND SECURED GASKETED NICKEL BRONZE ADJUSTABLE TOP WITH 1/2" CAST IN COVER. PROVIDE CLEANOUT TOP WITH VARIATIONS SUITABLE FOR FLOOR COVERING (CARPET MARKER, RECESSED FOR TILE, SCORIALIZED FOR UNFINISHED FLOORS). PROVIDE GASKETED PLASTIC PLUG IN CAST IRON BODY. USE TEFLON JOINT COMPOUND, OR TEFLON TAPE ON PLUG THREADS. CLEAN THE TOP OF EXPOSED FCO AFTER INSTALLATION.



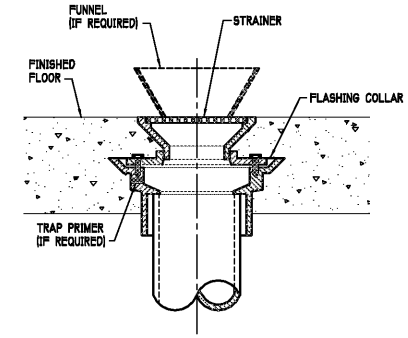
1 FLOOR CLEAN OUT DETAIL
P6 NOT TO SCALE



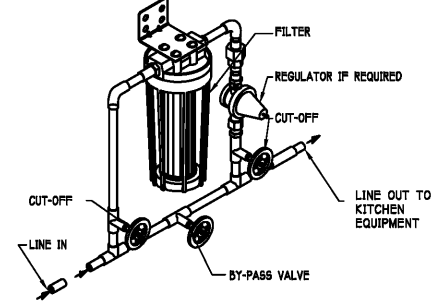
2 WALL CLEANOUT DETAIL
P6 NOT TO SCALE



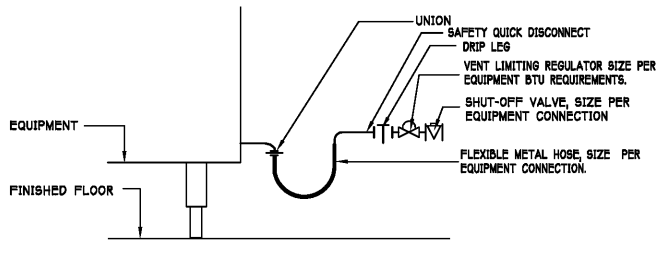
3 TRAP PRIMER DETAIL
P6 NOT TO SCALE



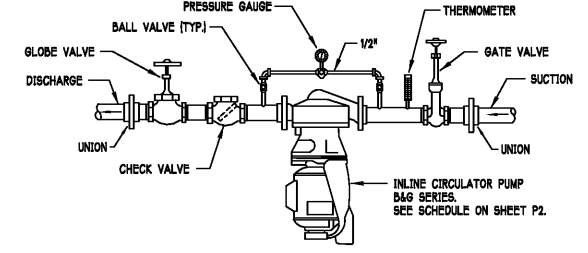
4 FLOOR DRAIN DETAIL
P6 NOT TO SCALE



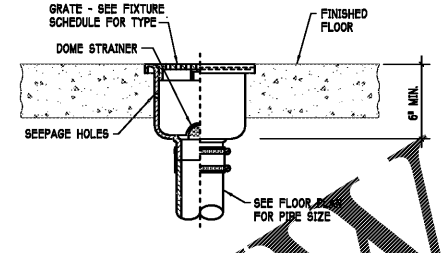
5 FILTER DETAIL
P6 NOT TO SCALE



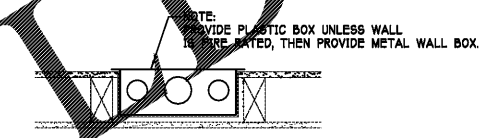
6 KITCHEN GAS EQUIPMENT PIPING DETAIL
P6 NOT TO SCALE



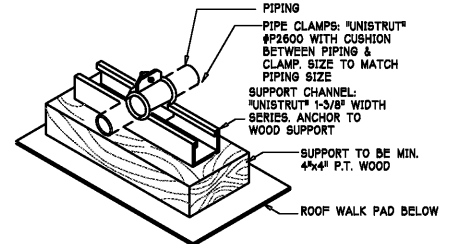
7 RECIRCULATION PUMP DETAIL
P6 NOT TO SCALE



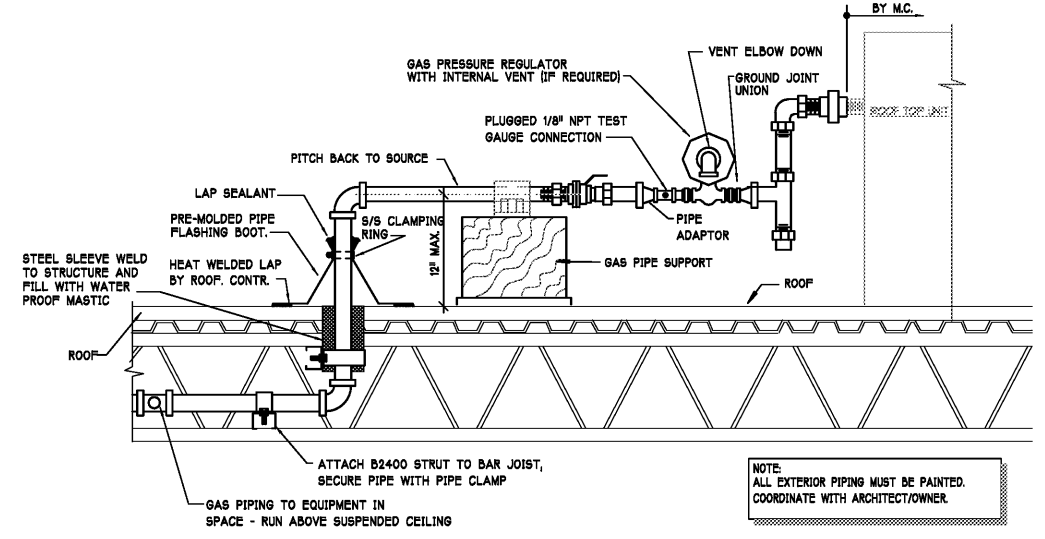
8 FLOOR SINK DETAIL
P6 NOT TO SCALE



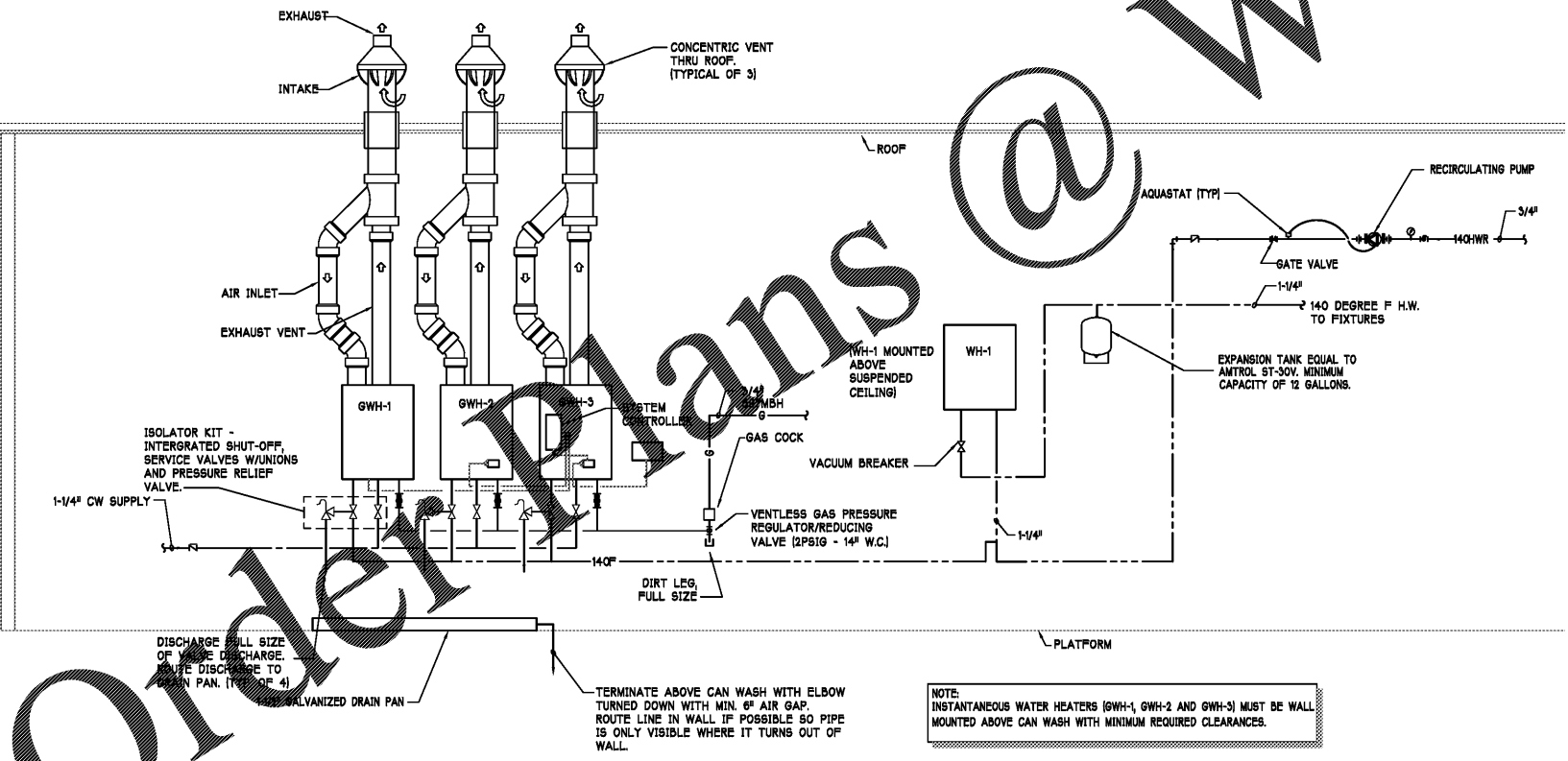
9 ICE MAKER WALL BOX DETAIL
P6 NOT TO SCALE



10 GAS AND ELECTRIC WATER HEATERS DETAIL
P6 NOT TO SCALE



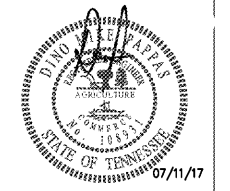
11 GAS PIPING DETAIL
P6 NOT TO SCALE



NOTE: INSTANTANEOUS WATER HEATERS (GWH-1, GWH-2 AND GWH-3) MUST BE WALL MOUNTED ABOVE CAN WASH WITH MINIMUM REQUIRED CLEARANCES.

NOTE: ALL EXTERIOR PIPING MUST BE PAINTED. COORDINATE WITH ARCHITECT/OWNER.

LINDSEY ARCHITECTURE
125 S. Main Street, Suite 300
Columbia, NC 27401
p. 336.617.4402
f. 336.617.4434
www.lindsayarchitecture.com



VP ENGINEERING
VRETTOS PAPPAS CONSULTING ENGINEERS, P.A.
193 Hwy 215A7, Charlotte, NC 28223
2819 Coliseum Drive, Ste 100, Charlotte, NC 28227
704.372.7765 vpece@vpce.com

COOK OUT
975 W. Poplar Ave.
Collierville, TN

PLUMBING DETAILS

Mk	Date	Description	Revisions

Date: 07-11-17
Drawn By: APP
Check By: AWC
Job No.: 17-019-000
Sheet:

P6