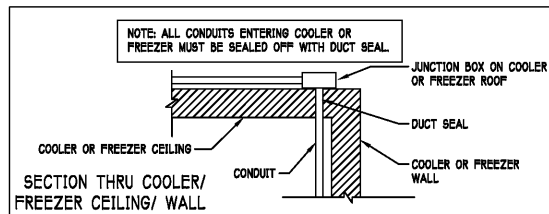


**GROUNDING DETAIL NOTES:**

- GROUNDING ELECTRODES SHALL BE PROVIDED IN ACCORDANCE WITH NEC 250.52(A).
- GROUNDING ELECTRODES SHALL BE INSTALLED IN ACCORDANCE WITH NEC 250.53.
- WITHOUT EXCEPTION, SUPPLEMENTAL GROUNDING ELECTRODES SHALL ALWAYS BE INSTALLED.

NOT ALL ELECTRODES MAY BE PRESENT ON-SITE, THEREFORE NOT ALL ELECTRODES ON THIS SCHEMATIC DIAGRAM MAY APPLY.



FEEDER SCHEDULE - 3 PHASE				
STANDARD FUSE OR C/B SIZE	FEEDER WIRE - #SETS (COND. SIZE, EQL. GND, COND. SIZE) CONDUCTOR TYPE: THWN - DRY; THWN - WET			
	COPPER WIRE	SEG	ALUMINUM WIRE#	SEG
30	1 [4 #10, #10G 3/4"]		1 [4 #8, #8G 3/4"]	
35	1 [4 #8, #10G 3/4"]		1 [4 #6, #6G 1/2"]	
40	1 [4 #8, #10G 3/4"]		1 [4 #6, #6G 1/2"]	
45	1 [4 #6, #10G 1/2"]		1 [4 #4, #4G 1/4"]	
50	1 [4 #6, #10G 1/2"]		1 [4 #4, #4G 1/4"]	
60	1 [4 #4, #10G 1/4"]		1 [4 #3, #3G 1/4"]	
70	1 [4 #4, #8G 1/4"]		1 [4 #2, #2G 1/4"]	
80	1 [4 #3, #8G 1/4"]		1 [4 #1, #1G 1/2"]	
80	1 [4 #2, #8G 1/4"]		1 [4 #1/0, #6G 2"]	
100	1 [4 #2, #8G 1/2"]	[#6]	1 [4 #1/0, #6G 2"]	[#6]
110	1 [4 #2, #8G 1/2"]	[#6]	1 [4 #1/0, #4G 2"]	[#6]
125	1 [4 #1, #6G 1/2"]	[#6]	1 [4 #2/0, #4G 2"]	[#4]
150	1 [4 #1/0, #6G 2"]	[#6]	1 [4 #3/0, #4G 2"]	[#4]
175	1 [4 #2/0, #6G 2"]	[#4]	1 [4 #4/0, #4G 2-1/2"]	[#2]
200	1 [4 #3/0, #6G 2"]	[#4]	1 [4 #250MCM, #4G 2-1/2"]	[#2]
225	1 [4 #4/0, #4G 2-1/2"]	[#2]	1 [4 #500MCM, #2G 3"]	[#1/0]
250	1 [4 #500MCM, #4G 2-1/2"]	[#2]	1 [4 #350MCM, #2G 3"]	[#1/0]
300	1 [4 #350MCM, #4G 3"]	[#2]	1 [4 #500MCM, #2G 3"]	[#1/0]
350	2 [4 #3/0, #3G 2"]	[#2]	2 [4 #4/0, #1G 2-1/2"]	[#1/0]
400	2 [4 #3/0, #3G 2"]	[#2]	2 [4 #250MCM, #1G 2-1/2"]	[#1/0]
450	2 [4 #4/0, #2G 2-1/2"]	[#1/0]	2 [4 #500MCM, #1/0G 3"]	[#3/0]
500	2 [4 #250MCM, #2G 2-1/2"]	[#1/0]	2 [4 #350MCM, #1/0G 3"]	[#3/0]
600	2 [4 #350MCM, #1G 3"]	[#2/0]	2 [4 #500MCM, #2/0G 3"]	[#4/0]
700	2 [4 #500MCM, #1/0G 3"]	[#2/0]	3 [4 #350MCM, #3/0G 3"]	[#4/0]
800	3 [4 #350MCM, #1/0G 3"]	[#3/0]	3 [4 #400MCM, #3/0G 3"]	[#4/0]
1000	3 [4 #400MCM, #2/0G 3"]	[#3/0]	4 [4 #350MCM, #4/0G 3"]	[#4/0]
1200	4 [4 #350MCM, #3/0G 3"]	[#3/0]	4 [4 #500MCM, #250G 3"]	[#250]
1600	5 [4 #400MCM, #4/0G 3"]	[#3/0]	6 [4 #400MCM, #350G 3"]	[#250]
2000	6 [4 #400MCM, #250G 3"]	[#3/0]	7 [4 #500MCM, #400G 3"]	[#250]
2500	7 [4 #500MCM, #350G 3"]	[#3/0]	7 [4 #500MCM, #350G 3"]	[#250]
3000	8 [4 #500MCM, #400G 3"]	[#3/0]	8 [4 #500MCM, #500G 3"]	[#250]
4000	11 [4 #500MCM, #450G 3"]	[#3/0]	11 [4 #500MCM, #750G 3"]	[#250]

**FEEDER SCHEDULE NOTES:**  
 1. ALL FEEDER SIZES LISTED ABOVE SHALL BE USED IN PROJECT RISER DIAGRAM.  
 2. ELECTRICAL CONDUIT TO FEEDER CONDUIT SIZE REQUIRED IF WIRE TYPES OTHER THAN THOSE LISTED ABOVE ARE USED REFER TO APPLICABLE VERSION OF THE N.E.C.  
 3. CONDUIT OTHER THAN EMT IS REQUIRED BASE BID ON NEXT TRADE SIZE ABOVE THAT IS INDICATED.  
 4. # DENOTES SERVICE ENTRANCE GROUND.  
 \* E.C. SHALL VERIFY WITH THE AUTHORITY HAVING JURISDICTION AND THE UTILITY COMPANY THAT ALUMINUM CONDUCTORS ARE ACCEPTABLE FOR USE AS TRANSFORMER SECONDARIES AND FEEDER CIRCUITS.



**AIC NOTE:**  
 E.C. SHALL COORDINATE WITH UTILITY COMPANY AND DETERMINE THE MAXIMUM FAULT CURRENT OF THE TRANSFORMER SERVING THIS EQUIPMENT. IF MAXIMUM FAULT CURRENT IS GREATER THAN THE RATINGS OF THE EQUIPMENT SHOWN ON THE PLANS, THE E.C. SHALL CONTACT THE ENGINEER IMMEDIATELY FOR DIRECTION.

VOLTAGE: 208Y/120 AMP: 225 MLO PANEL RMS SYM. AMPS: EXISTING		EXISTING PANEL: A			3-PHASE/4-WIRE SURFACE		
DESCRIPTION	POLE	WIRE	CCT	LOAD PER PHASE			DESCRIPTION
				A	B	C	
CCU-1 FREEZER CONDENSER	3	10	30	3.0	3.0	3.0	CCU-1 COOLER CONDENSER
CCU-2 COOLER CONDENSER	3	10	25	3.0	3.0	3.0	CCU-2 FREEZER CONDENSER
SPACE	1	-	15	0.0	0.0	0.0	REC - CENTERLINE
SANDWICH/SALAD PREP	1	12	20	1.8	1.8	1.8	REC - CENTERLINE
SANDWICH/SALAD PREP	1	12	17	1.5	1.5	1.5	REC - CENTERLINE
SHUNT TRIP	1	-	15	0.0	0.0	0.0	SHUNT TRIP
MANAGER DESK REC	1	12	20	1.8	1.8	1.8	FRYERS/ PREP UNIT
MANAGER DESK REC	1	12	20	1.8	1.8	1.8	SHUNT TRIP
RTU RECEPTACLES	1	12	20	1.8	1.8	1.8	SODA RACK
SPARE	1	-	20	0.0	0.0	0.0	SPACE
COOLER/ FREEZER LTS & HT TRC	1	12	20	1.8	1.8	1.8	SPACE
COOLER EVAP. FAN	2	12	20	3.6	3.6	3.6	RP-1
FREEZER EVAP. FAN	2	12	20	3.6	3.6	3.6	REC FOR GAS WATER HEATERS
TELE BOARD	1	12	20	1.8	1.8	1.8	SPACE
SPARE	1	-	41	0.0	0.0	0.0	SPACE

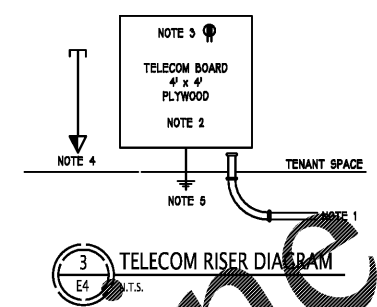
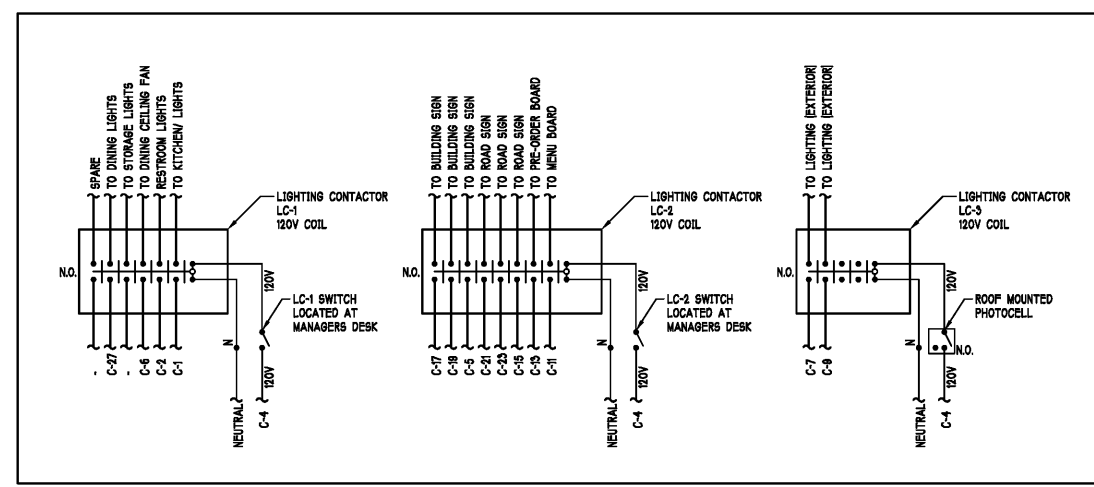
TOTAL CONNECTED KVA: 48.1  
DEMAND KVA: 48.1  
DEMAND AMPS: 156.4

VOLTAGE: 208Y/120 AMP: 225 MLO PANEL RMS SYM. AMPS: 22,000 AIC		NEW PANEL: B			3-PHASE/4-WIRE SURFACE		
DESCRIPTION	POLE	WIRE	CCT	LOAD PER PHASE			DESCRIPTION
				A	B	C	
K9F-1 FLA 5.9	3	10	25	3.0	3.0	3.0	SUN WARMER
K9F-2 FLA 18.8 (5 HP)	3	10	25	3.0	3.0	3.0	TEA BREWER
SHUNT TRIP	1	-	7	0.0	0.0	0.0	SPACE
SPACE	3	-	9	0.0	0.0	0.0	COOLER EVAP. FAN
SPACE	3	-	11	0.0	0.0	0.0	ICE MACHINE EVAP. FAN
4 DRAWER UC REFRIGERATOR	1	12	20	1.8	1.8	1.8	MILKSHAKE MACHINE RIGHT
SHUNT TRIP	1	-	17	0.0	0.0	0.0	SPACE
SHUNT TRIP	1	-	18	0.0	0.0	0.0	SPACE
KITCHEN REC	1	12	20	1.8	1.8	1.8	MILKSHAKE MACHINE LEFT
SHAKE MONITOR	1	12	20	1.8	1.8	1.8	SPACE
KITCHEN REC	1	12	20	1.8	1.8	1.8	SPACE
REC - CENTERLINE	1	12	20	1.8	1.8	1.8	SPACE
HOOD LIGHTS/ CONTROLS	1	12	20	1.8	1.8	1.8	SPACE
POS	1	12	20	1.8	1.8	1.8	QUESADILLA GRILL
POS	1	12	20	1.8	1.8	1.8	SPACE
SPARE	1	-	20	0.0	0.0	0.0	SPACE
SPARE	1	-	20	0.0	0.0	0.0	SPACE
POS	1	12	20	1.8	1.8	1.8	MONITOR
POS	1	12	20	1.8	1.8	1.8	HEAT TRACE

TOTAL CONNECTED KVA: 34.9  
DEMAND KVA: 36.5  
DEMAND AMPS: 101.4

VOLTAGE: 208Y/120 AMP: 225 MLO PANEL RMS SYM. AMPS: 22,000 AIC		NEW PANEL: C			3-PHASE/4-WIRE SURFACE		
DESCRIPTION	POLE	WIRE	CCT	LOAD PER PHASE			DESCRIPTION
				A	B	C	
LIGHTING KITCHEN	1	12	20	1.8	1.8	1.8	RESTROOM LIGHTS
LIGHTING KITCHEN	1	12	20	1.8	1.8	1.8	LIGHTING CONTACTOR CONTROL
BUILDING SIGN	1	12	20	1.8	1.8	1.8	DINING CEILING FANS
LIGHTING EXTERIOR	1	12	20	1.8	1.8	1.8	ICE MACHINE CONDENSER
LIGHTING EXTERIOR	1	12	20	1.8	1.8	1.8	SPACE
MENU BOARD	1	12	20	1.8	1.8	1.8	SPACE
PRE-ORDER BOARD	1	12	20	1.8	1.8	1.8	SPACE
ROAD SIGN	1	12	20	1.8	1.8	1.8	SPACE
BUILDING SIGN	1	12	20	1.8	1.8	1.8	SPACE
BUILDING SIGN	1	12	20	1.8	1.8	1.8	SPACE
ROAD SIGN	1	12	20	1.8	1.8	1.8	FLY LAMPS
ROAD SIGN	1	12	20	1.8	1.8	1.8	DINING ROOM REC
EMERGENCY LIGHTING	1	12	20	1.8	1.8	1.8	ICE MACHINE EVAPORATOR
LIGHTING DINING	1	12	20	1.8	1.8	1.8	SPACE
SPARE	1	12	20	1.8	1.8	1.8	ICE MACHINE EVAPORATOR
FLY LAMPS	1	12	20	1.8	1.8	1.8	CO2
FLY LAMPS	1	12	20	1.8	1.8	1.8	SPACE
MENU BOARD (INTERIOR)	1	12	20	1.8	1.8	1.8	SPACE
HAND DRYER	1	12	20	1.8	1.8	1.8	SPACE
HAND DRYER	1	12	20	1.8	1.8	1.8	SPACE

TOTAL CONNECTED KVA: 28.4  
DEMAND KVA: 33.4  
DEMAND AMPS: 92.8



**TELECOM RISER NOTES:**

- 2" CONDUIT PROVIDED UNDER LAB TO LOCATION INDICATED BY TELECOM COMPANIES FIELD ENGINEER.
- 3/4" FINISH GRADE BIRCHWOOD BACKBOARD PAINTED WITH FLAME RETARDANT PAINT, MOUNT 2" AFF TO BOTTOM OF BOARD.
- DUPLEX RECEPTACLE ON A DEDICATED CIRCUIT FOR TELEPHONE AND OTHER COMMUNICATION EQUIPMENT.
- 3/4" CONDUIT ABOVE ACCESSIBLE CEILING.
- #6 CU GROUND TO SERVICE GROUND BAR WITH ADEQUATE SLACK FOR GROUNDING OF TELECOM EQUIPMENT.

VOLTAGE: 208Y/120 AMP: 600A MCB PANEL RMS SYM. AMPS: EXISTING		EXISTING PANEL: MDP			3-PHASE/4-WIRE SURFACE		
DESCRIPTION	POLE	WIRE	CCT	LOAD PER PHASE			DESCRIPTION
				A	B	C	
PANEL A	3	4/0	225	3.0	3.0	3.0	FLA: 36 RTU-1 MCA: 36 A MOCP: 50A
PANEL B	3	4/0	225	3.0	3.0	3.0	FLA: 48 RTU-2 MCA: 47 A MOCP: 60A
PANEL C	3	4/0	225	3.0	3.0	3.0	SPACE
FREEZER EVAPORATOR	2	12	20	3.6	3.6	3.6	GREASE HEATER
SPACE	1	-	20	0.0	0.0	0.0	SPACE
SPACE	1	-	20	0.0	0.0	0.0	SPACE
SPACE	1	-	20	0.0	0.0	0.0	SPACE
SPACE	1	-	20	0.0	0.0	0.0	REC
SPACE	1	-	20	0.0	0.0	0.0	SPACE
SPACE	1	-	20	0.0	0.0	0.0	SPACE
SPACE	1	-	20	0.0	0.0	0.0	SPACE
SPACE	1	-	20	0.0	0.0	0.0	SPACE
SPACE	1	-	20	0.0	0.0	0.0	SPACE
SPACE	1	-	20	0.0	0.0	0.0	SPACE
SPACE	1	-	20	0.0	0.0	0.0	SPACE

TOTAL CONNECTED KVA: 156.8  
DEMAND KVA: 148.1  
DEMAND AMPS: 414.2

PC/PC - PHOTOCELL 'ON', PHOTOCELL 'OFF'  
 PC/TC - PHOTOCELL 'ON', TIMECLOCK 'OFF'  
 SB - PROVIDE SWITCH RATED BREAKER  
 ST - SHUNT TRIP

**LINDSEY ARCHITECTURE**  
 125 S. Salisbury Street, Suite 300  
 Salisbury, NC 27401  
 P. 336.617.4402  
 F. 336.617.4434  
 www.lindseyarchitecture.com

**VP ENGINEERING**  
 VRETTOS PAPPAS CONSULTING ENGINEERS, P.A.  
 113 Elm Street, Charlotte, NC 28203  
 2815 Coliseum Center Drive, Ste. 180, Charlotte, NC 28217  
 704.332.7355 www.vpe.com

**COOK OUT**  
 975 W. Poplar Ave.  
 Collierville, TN

**ELECTRICAL PANEL SCHEDULE, RISER & DETAILS**

Mk Date Description  
 Revisions

Date 07-11-17  
 Drawn By VOA  
 Check By DRP  
 Job No. 17-019-000  
 Sheet

**E4**