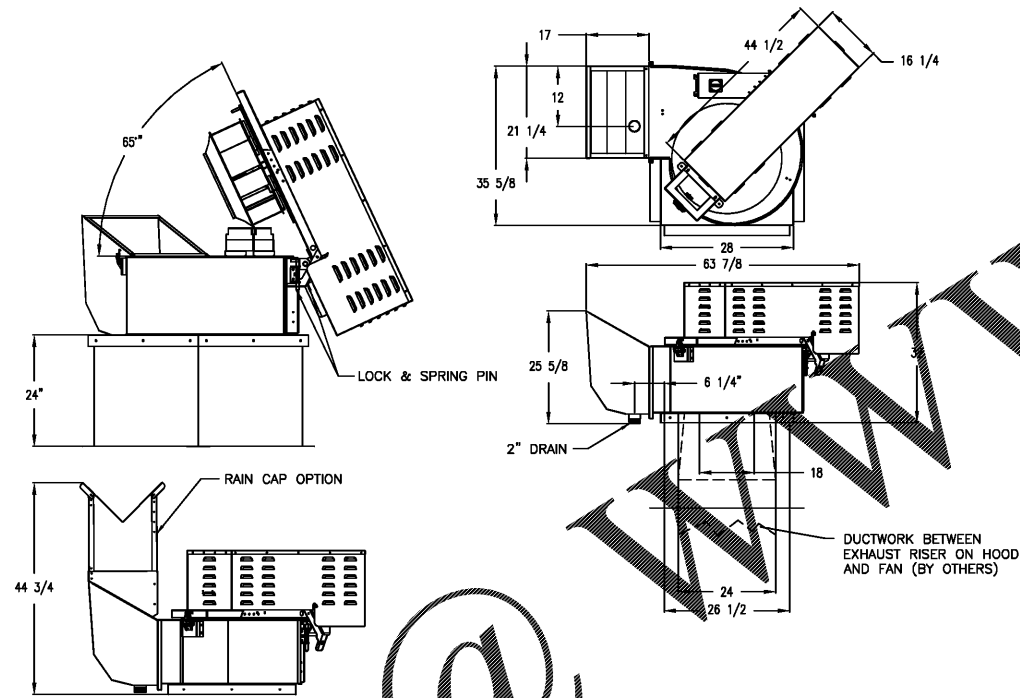


EXHAUST FAN INFORMATION -

FAN UNIT NO.	TAG	FAN UNIT MODEL #	CFM	ESP.	RPM	H.P.	Ø	VOLT	MCA	DISCHARGE VELOCITY	WEIGHT (LBS.)	SONES
1	KEF-1	CASRE20BD	3900	1.200	1307	5.0	3	208	18.8	1812 FPM	380	-

FAN #1 CASRE20BD - EXHAUST FAN



FEATURES:

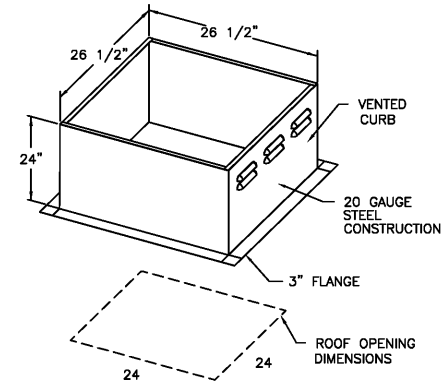
- ROOF MOUNTED FANS
- RESTAURANT MODEL
- UL762
- HIGH HEAT OPERATION DIRECT DRIVE 300°F (149°C)
- HIGH HEAT OPERATION BELT DRIVE 500°F (260°C)
- HEAT SLINGER
- GREASE CLASSIFICATION TESTING
- TILT OUT WHEEL
- LOCKING PIN FOR POWER PACK
- MOTOR WEATHER COVER
- INTERLOCKED DISCONNECT SWITCH

NORMAL TEMPERATURE TEST BELT DRIVE
 EXHAUST FAN MUST OPERATE CONTINUOUSLY WHILE EXHAUSTING AIR AT 500°F (260°C) UNTIL ALL FAN PARTS HAVE REACHED THERMAL EQUILIBRIUM, AND WITHOUT ANY DETERIORATING EFFECTS TO THE FAN WHICH WOULD CAUSE UNSAFE OPERATION.

ABNORMAL FLARE-UP TEST BELT & DIRECT DRIVE
 EXHAUST FAN MUST OPERATE CONTINUOUSLY WHILE EXHAUSTING BURNING GREASE VAPORS AT 600°F (316°C) FOR A PERIOD OF 15 MINUTES WITHOUT THE FAN BECOMING DAMAGED TO ANY EXTENT THAT COULD CAUSE AN UNSAFE CONDITION.

OPTIONS

- UTILITY SET GREASE CUP
- RE20 - DISCHARGE EXTENSION ASSEMBLY WITH HARDWARE.



PITCHED CURBS ARE AVAILABLE FOR PITCHED ROOFS.
 SPECIFY PITCH:
 EXAMPLE: 7/12 PITCH = 30° SLOPE

Order Plans @



VP ENGINEERING
 CONSULTING ENGINEERS, P.A.

VRETTOS PAPPAS CONSULTING ENGINEERS, P.A.
 193 Hwy 215A7, Charlotte, NC 28233
 2819 Coliseum Drive, P.O. Box 1861, Charlotte, NC 28227
 704.372.7765 www.vpe.com

COOK OUT
 975 W. Poplar Ave.
 Collierville, TN

Mk	Date	Description
		Revisions

KITCHEN EXHAUST FAN DETAILS

Date: 07-11-17
 Drawn By: MM
 Check By: SRP
 Job No.: 17-019-000
 Sheet:

M7