

MUA FAN INFORMATION

FAN UNIT NO.	TAG	FAN UNIT MODEL #	BLOWER	HOUSING	CFM	ESP.	RPM	H.P.	B.H.P.	#	VOLT	FLA	WEIGHT (LBS.)	SONES	BURNER EFFICIENCY(%)
1		A1-D.250-G10	G10	A1-D.250	2912	0.450	1308	2.000	1.8720	3	208	5.9	598	27	92

GAS FIRED MAKE-UP AIR UNIT(S)

FAN UNIT NO.	TAG	INPUT BTUs	OUTPUT BTUs	TEMP. RISE	REQUIRED INPUT GAS PRESSURE	GAS TYPE
1		185925	171051	55 deg F	7 in. w.c. - 14 in. w.c.	Natural

- FAN #1 A1-D.250-G10 - HEATER**
- DIRECT GAS FIRED HEATED MAKE UP AIR UNIT WITH 10" BLOWER
 - WIRING HOOD WITH EZ FILTERS
 - DOWN DISCHARGE - AIR FLOW RIGHT -> LEFT
 - MOTORIZED BACK DRAFT DAMPER 18" X 18" FOR SIZE 1 STANDARD & MODULAR DIRECT FIRED HEATERS W/EXTENDED SHFT, STANDARD GALVANIZED CONSTRUCTION, 3/4" REAR FLANGE, LF120S ACTUATOR INCLUDED
 - COOLING WATERLOCK RELAY, 24VAC COIL, 120V CONTACTS, LOCKS OUT BURNER CIRCUIT WHEN AC IS ENERGIZED.
 - LOW FIRE START, ALLOWS THE BURNER CIRCUIT TO ENERGIZE WHEN THE MODULATION CONTROL IS IN A LOW FIRE POSITION.
 - GAS PRESSURE GAUGE, 0-35", 2.5" DIAMETER, 1/4" THREAD SIZE
 - GAS PRESSURE GAUGE, -5 TO +15 INCHES WC, 2.5" DIAMETER, 1/4" THREAD SIZE

SUPPLY SIDE HEATER INFORMATION:
 WINTER TEMPERATURE = 20°F, TEMP. RISE = 55°F.
 BTUw CALCULATED OFF ACTUAL AIR DENSITY
 OUTPUT BTUw AT ALTITUDE OF 0.0 FL = 171051
 INPUT BTUw AT ALTITUDE OF 0.0 FL = 185925

FAN OPTIONS

FAN UNIT NO.	TAG	OPTION (Qty. - Descr.)
1		1 - Motorized Backdraft Damper for A1-D Housing
		1 - AC Interlock Relay - 24VAC Coil
		1 - Low Fire Start
		1 - Inlet Pressure Gauge, 0-35"
		1 - Manifold Pressure Gauge, -5 to 15" wc

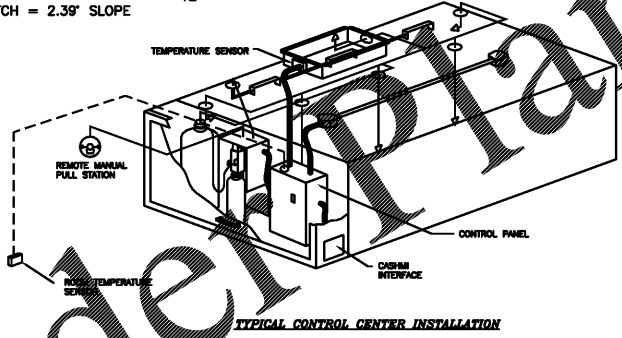
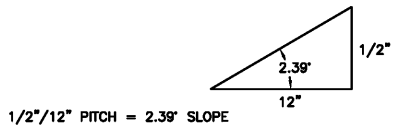
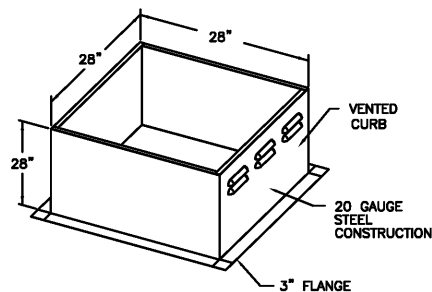
FAN ACCESSORIES

FAN UNIT NO.	TAG	EXHAUST			SUPPLY			
		GREASE CUP	GRAVITY DAMPER	WALL MOUNT	SIDE DISCHARGE	GRAVITY DAMPER	MOTORIZED DAMPER	WALL MOUNT
1							YES	

CURB ASSEMBLIES

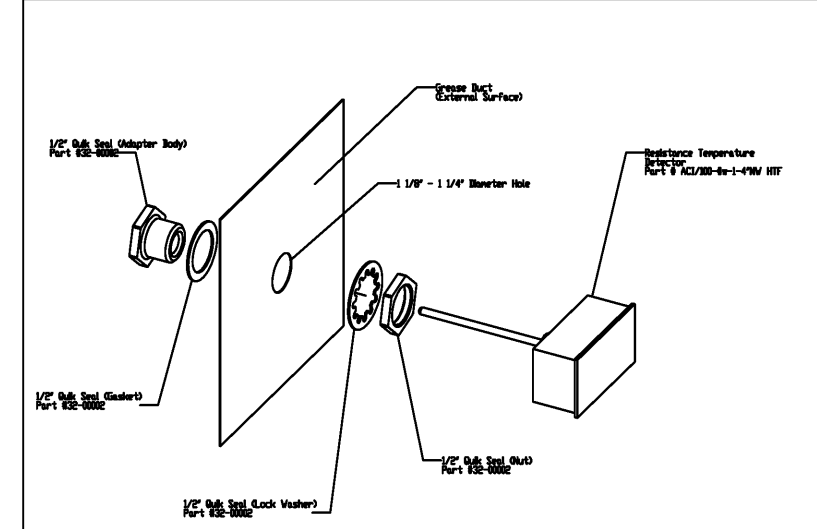
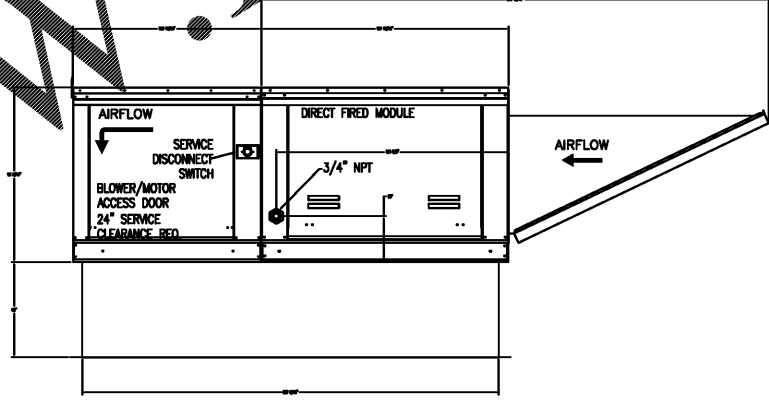
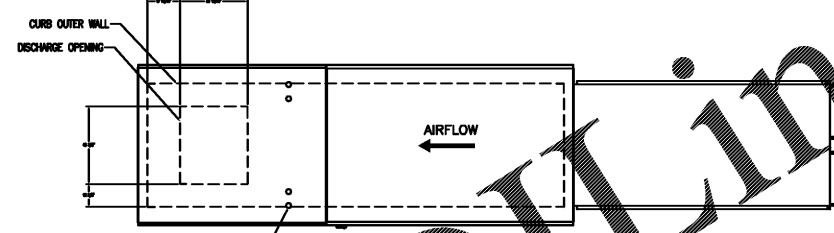
NO.	ON FAN	WEIGHT	ITEM	SIZE
1	# 1	63 LBS	Curb	21.000"W x 71.000"L x 20.000"H 0.500:12.000 Pitch Along Width, Right Insulated
2		83 LBS	Curb	28.000"W x 28.000"L x 28.000"H 0.500:12.000 Pitch

CURB #2 HRE28X28E



CAPTIVE-AIRE HOODS ARE BUILT IN COMPLIANCE WITH
 NFPA #96
 NSF
 UL 710 & UL710 STANDARDS
 E.T.L. LISTED 3054804-001

FOR QUESTIONS, CALL THE
 PIEDMONT NORTH CAROLINA OFFICE
 LONNIE GRANT (REGIONAL MANAGER)
 PHONE: 336-996-8484, FAX: 336-996-0418
 EMAIL: reg30@captiveaire.com



Notes

1. Duct Sensor	2. Duct Sensor	3. Duct Sensor
4. Duct Sensor	5. Duct Sensor	6. Duct Sensor
7. Duct Sensor	8. Duct Sensor	9. Duct Sensor
10. Duct Sensor	11. Duct Sensor	12. Duct Sensor

REVISIONS

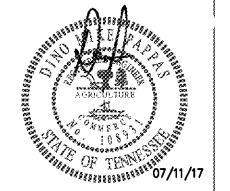
NO.	DESCRIPTION	DATE
1		
2		
3		

PIEDMONT AREA OFFICE
 405 SOUTH FIRST ST. KENNESAW, GA 30144
 PHONE: 770-438-1234 FAX: 770-438-1235

VP ENGINEERING
 VRETTOS PAPPAS CONSULTING ENGINEERS, P.A.
 193 IOWA ST. #100, CHARLOTTE, NC 28203
 2815 COLLETT DRIVE, STE 100, CHARLOTTE, NC 28203
 704-372-7765 www.vpe.com

DATE: _____
 DWG. #: _____
 DRAWN BY: _____
 SCALE: NTS
 FANS

SHEET NO. 3



VP ENGINEERING
 VRETTOS PAPPAS CONSULTING ENGINEERS, P.A.
 193 IOWA ST. #100, CHARLOTTE, NC 28203
 2815 COLLETT DRIVE, STE 100, CHARLOTTE, NC 28203
 704-372-7765 www.vpe.com

COOK OUT
 975 W. Poplar Ave.
 Collierville, TN

Mk	Date	Description	Revisions

KITCHEN SUPPLY
 FAN DETAILS

Date 07-11-17
 Drawn By MM
 Check By SRP
 Job No. 17-019-000
 Sheet

M6

Order Plans @