

Fire System Information

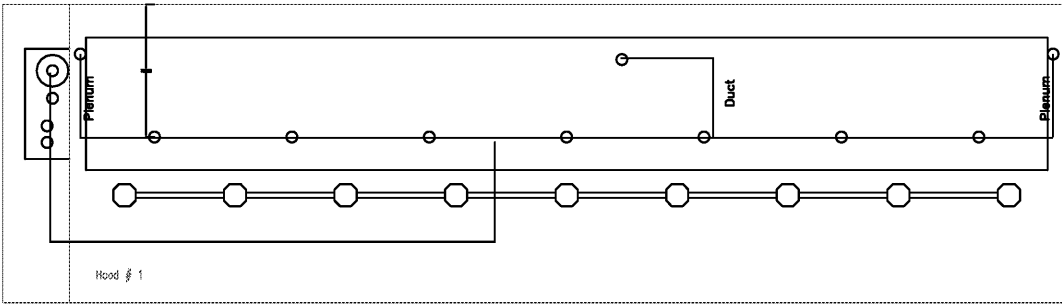
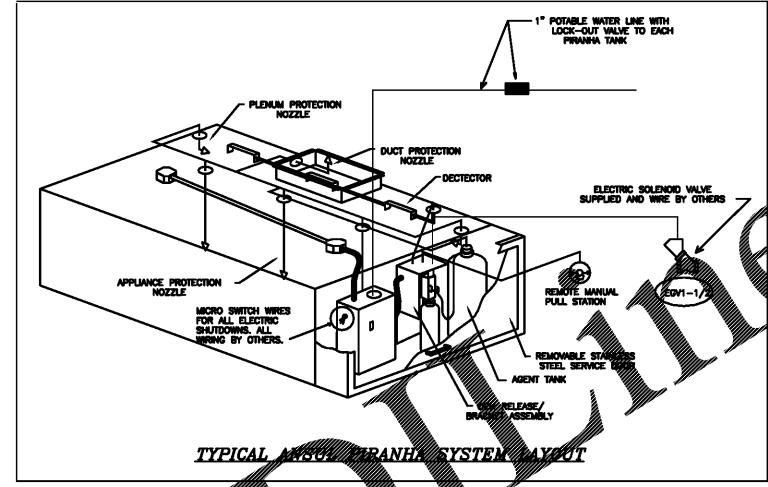
FIRE SYSTEM NO.	TAG	TYPE	SIZE	FLOW POINTS	INSTALLATION	
					SYSTEM	LOCATION ON HOOD
1		Ansul Piranha	10	3	Fire Cabinet Left	Left

Fire System Parts List Key

FIRE SYSTEM NO.	TAG	KEY NUMBER - PART DESCRIPTION	QTY. BY FACTORY	QTY. BY DIST.
		0 - 0 - METALCAP-CS BLOWOFF CAP - Metal	10	0
		1 - 1 - P-MRR-OEM REGULATED RELEASE - Ansul Automon Mechanical Regulated Release, (OEM, PIRANHA) (423629) Cartridge Detection Included	1	0
		4 - 4 - P-10 TANK - 2.25 Gallon Stainless Steel Tank Assembly (PIRANHA-10)	1	0
		6 - 6 - PRX LIQUID AGENT PRX (AS NEEDED)	0	1
		7 - 7 - LT-30-R LT-30-R CARTRIDGE	0	1
		10 - 10 - TLNK TEST LINK (1 test link)	0	1
		11 - 11 - MICRO-SDA MICROSWITCH KIT - Includes 2 switches and Mounting Hardware. Single Dual Electric Switch, One Standard Switch, One Alarm Duty Switch 437155	1	0
		15 - 15 - 423572 SWIVEL ADAPTOR (418385)	7	0
		17 - 17 - 423692 NOZZLE - DL Nozzle, Duct/Low Proximity, Piranha (Replaces ANSUL Part# 423692) A0005170	1	0
		18 - 18 - 423482 NOZZLE - AP Nozzle, Appliance/Plenum, Piranha (Replaces ANSUL Part# 423482) A0001283	9	0
		26 - 26 - GSA-3/8 QUICK SEAL - 3/8" (UL)	10	0
		27 - 27 - QPSA-1/2 PULLEY SEAL - 1/2" Hood Seal (UL)	1	0
		28 - 28 - S-DET SERIES DETECTOR SCISSOR LINKAGE NEW#435547/435548 (OLD#417369/434480)	8	0
		30 - 30 - ANS-500FL FUSIBLE LINK - 500deg F, R-102 and PIRANHA	8	0
		34 - 34 - RPS-A REMOTE PULL STATION - Aluminum (with 50R wire rope) Part# 54011 (Old Macala #08-54011/435890)	1	0
		35 - 35 - PE-LT LOW TEMP PULLEY ELBOW	2	0
		36 - 36 - PE-HT HIGH TEMP PULLEY ELBOW (423250)	1	0

ANSUL "PIRANHA" SYSTEM NOTES

PLUMBING CONTRACTOR TO CONNECT THE WATER FLOW VALVE AT EACH FIRE SYSTEM TANK TO THE BUILDINGS POTABLE WATER SUPPLY BY A 1" WATER LINE FLOWING WATER PRESSURE BETWEEN 33 AND 100 PSI. THIS WATER LINE MUST BE DEDICATED TO THE PIRANHA SYSTEM AND MUST INCLUDE A SINGLE, FULL FLOW, INDICATING, LOCKED OPEN, TAMPERPROOF SHUT OFF VALVE AND MUST BE CONNECTED TO THE POTABLE WATER SUPPLY LINE IMMEDIATELY DOWNSTREAM FROM THE MAIN SHUT OFF VALVE.



- NOTES**
- FIELD PIPE DROPS AS SHOWN
 - SLEEVING, ELBOWS, TEES, AND NOZZLES SUPPLIED BY CAS
 - RELOCATE NOZZLES IF FLOW PATTERN IS BLOCKED BY SHELVING, SALAMANDERS, ETC.
 - MAXIMUM 9 ELBOWS IN SUPPLY LINE.
 - MINIMUM 72 INCHES OF AGENT LINE FROM TANK TO FIRST NOZZLE.
 - IF APPLICABLE, PRE-PIPED CHARBROILER DROPS ARE SHIPPED LOOSE.
 - FACTORY PIPING EXTENDS A MAXIMUM OF 6" ABOVE THE TOP OF THE HOOD.
 - APPLIANCE DIMENSIONS LISTED REPRESENT THE COOKING SURFACE SIZE, NOT THE OVERALL APPLIANCE SIZE.
 - THIS FIRE SYSTEM COMPLIES WITH U.L. 300 REQUIREMENTS

Job #: _____
 Job Name: Cook Out
 Drawn By: _____
 System Size: PIRANHA-10, Total # required: 10
 Hood: 1 15' 0.00' Long x 54" Wide x 24" High
 Riser: 1 Size: 10" x _____
 Hood: 1 Metal Blow-Off caps included.

LEGEND - ANSUL PIRANHA SYSTEM

- 1 PIRANHA MECHANICAL REGULATED RELEASE ASSEMBLY
- 2 PIRANHA REGULATED ACTUATOR ASSEMBLY
- 3 PIRANHA 7 TANK (1.5 GALLON)
- 4 PIRANHA 10 TANK (2.25 GALLON)
- 5 PIRANHA 13 TANK (3.0 GALLON)
- 6 PRX LIQUID FIRE SUPPRESSANT
- 7 LT-30-R NITROGEN CARTRIDGE
- 8 LT-20-R NITROGEN CARTRIDGE
- 9 DOUBLE TANK CARTRIDGE
- 10 TEST LINK
- 11 DOUBLE MICROSWITCH
- DL DUCT NOZZLE
- AP APPLIANCE/PLENUM NOZZLE
- AP/S APPLIANCE/PLENUM NOZZLE WITH SWIVEL ADAPTOR
- 28 DETECTOR BRACKET
- 29 LOW TEMP FUSIBLE LINK
- 30 HIGH TEMP FUSIBLE LINK
- MGV MECHANICAL GAS VALVE
- EGV ELECTRICAL GAS VALVE
- 34 REMOTE MANUAL PULL STATION

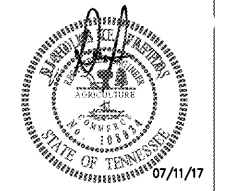
FOR QUESTIONS, CALL THE
 PIEDMONT NORTH CAROLINA OFFICE
 LONNIE GRANT (REGIONAL MANAGER)
 PHONE: 336-996-8484, FAX: 336-996-0418
 EMAIL: reg30@captiveaire.com

REVISIONS	
DESCRIPTION	DATE

DATE: _____
 DWG.#: _____
 DRAWN BY: _____
 SCALE: NTS
 PIRANHA SYSTEM

SHEET NO. 2

LINDSEY ARCHITECTURE
 125 S. Salisbury Street, Suite 300
 Salisbury, NC 27401
 P. 336.617.4402
 F. 336.617.4434
 www.lindseyarchitecture.com



VP ENGINEERING
 VRETOS PAPPAS CONSULTING ENGINEERS, P.A.
 193 West 315th St., Charlotte, NC 28223
 2819 Coliseum Drive, Suite 100, Charlotte, NC 28227
 704.372.7765 www.vpe.com

COOK OUT
 975 W. Poplar Ave.
 Collierville, TN

KITCHEN HOOD DETAILS

Mk	Date	Description

Date: 07-11-17
 Drawn By: MM
 Check By: SRP
 Job No.: 17-019-000
 Sheet:

M5