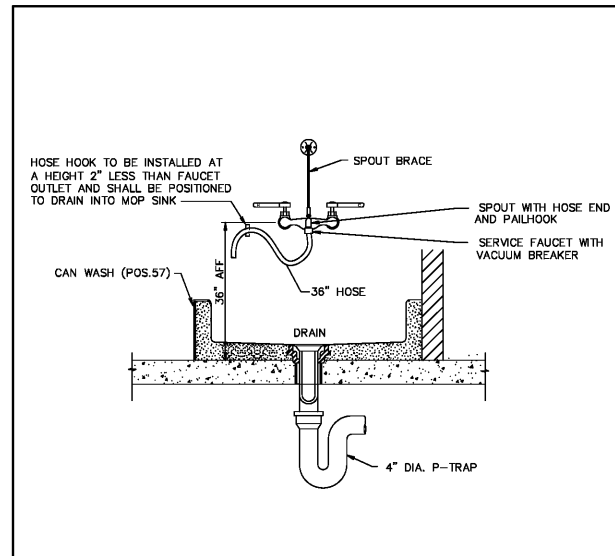
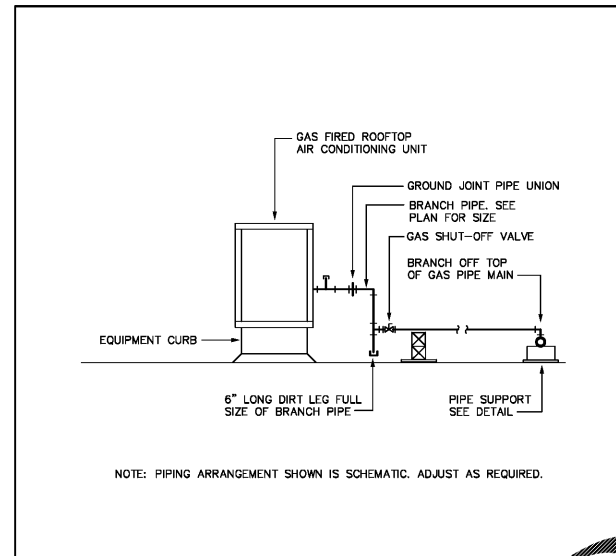


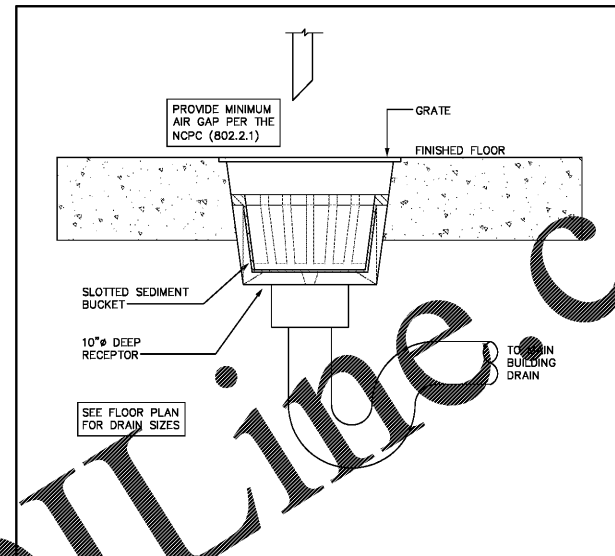
**1 FLOOR CLEANOUT DETAIL**  
NO SCALE



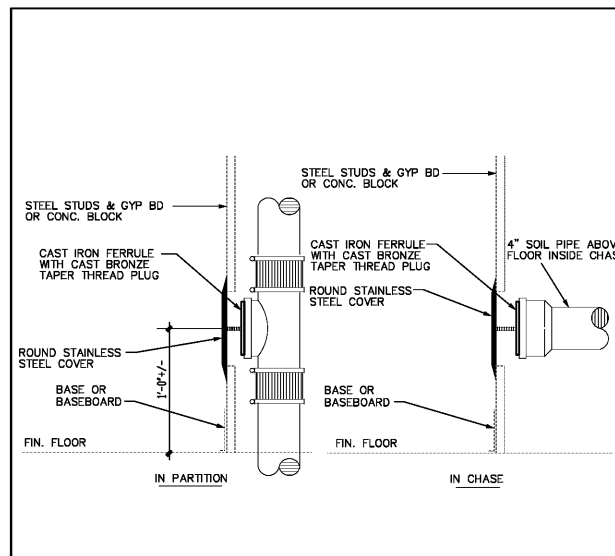
**2 CAN WASH**  
NO SCALE



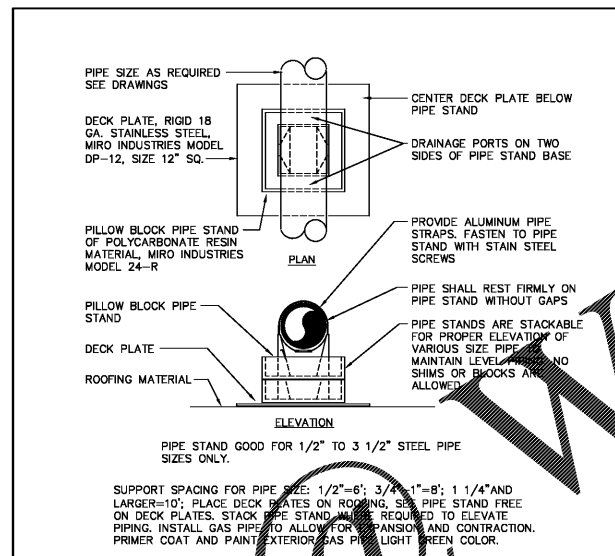
**3 ROOF TOP UNIT GAS PIPING SCHEMATIC**  
NO SCALE



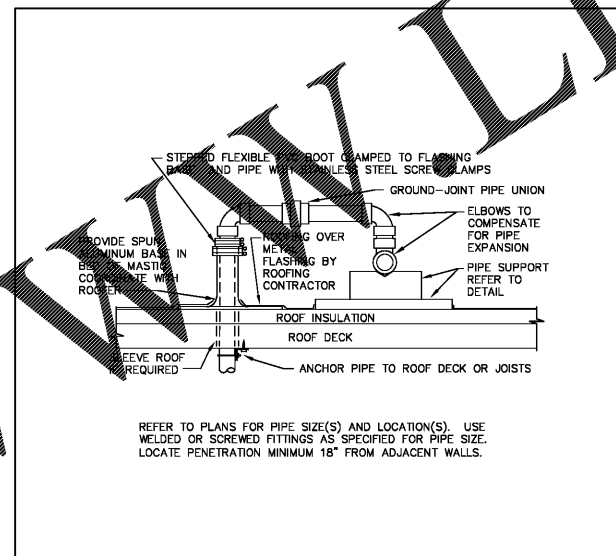
**4 FLOOR SINK DETAIL**  
NO SCALE



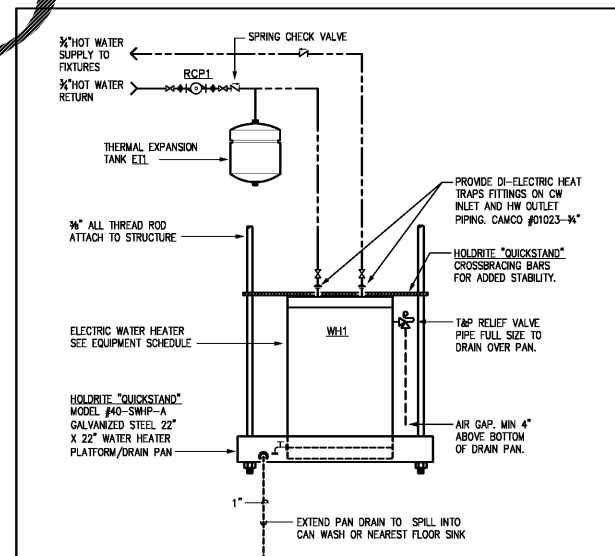
**5 WALL CLEANOUT DETAIL**  
NO SCALE



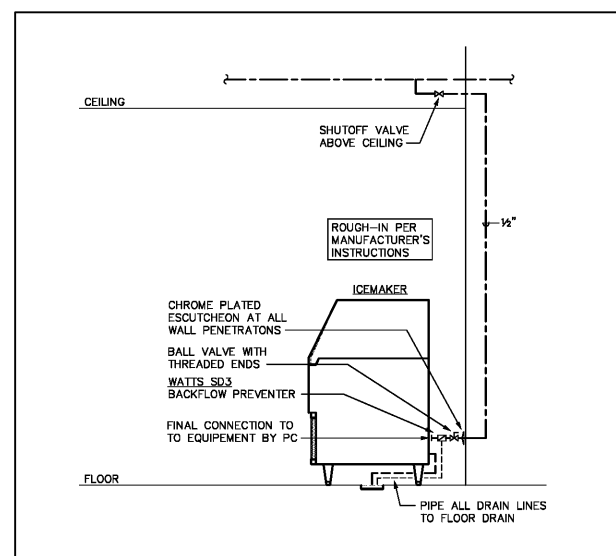
**6 ROOF PIPE SUPPORT**  
NO SCALE



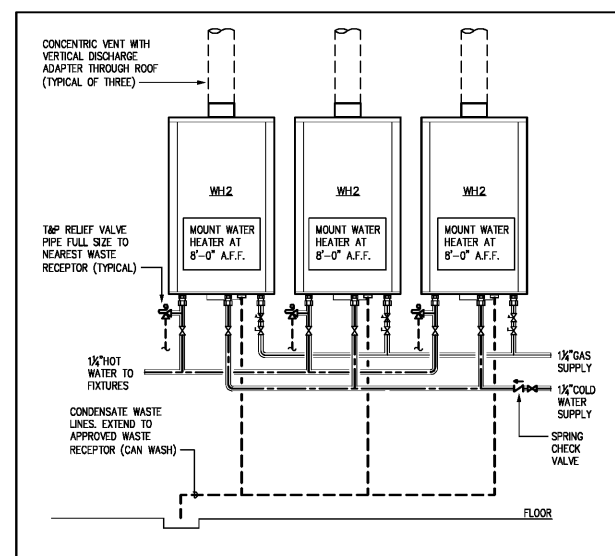
**7 ROOF PENETRATION**  
NO SCALE



**8 ELECTRIC WATER HEATER SCHEMATIC (WH1)**  
NO SCALE



**9 ICE MAKER PIPING SCHEMATIC**  
NO SCALE



**10 WATER HEATER SCHEMATIC (WH2)**  
NO SCALE

Order Plans

**LINDSEY ARCHITECTURE**  
125 S. Wilmington Street, Suite 300  
Wilmington, NC 27401  
P. 336.617.4402  
F. 336.617.4434  
www.lindseyarchitecture.com

**Optima engineering**  
1927 South Tryon St., Suite 200  
Charlotte, NC 28203  
Phone: 704-338-1922 • www.optimaengineering.com  
North Carolina License Number: C-6814



8/04/17

**COOK OUT**  
2546 Chimney Rock Road  
Hendersonville, NC

NO.	DATE	DESCRIPTION

**PLUMBING DETAILS**

DATE: 08-04-11  
DRAWN BY: IRG  
CHECK BY: DAR  
JOB NO.: 17-0001-000  
SHEET:

**P003**

3 OF 7