

MUA FAN INFORMATION - Job#255728

CAPTIVE-IRE TO CORRECT SCHEDULE TO REFLECT 3120 CFM.

FAN UNIT NO.	TAG	FAN UNIT MODEL #	BLOWER	HOUSING	CFM	ESP.	RPM	H.P.	B.H.P.	Ø	VOLT	FLA	WEIGHT (LBS.)	SONES	BURNER EFFICIENCY(%)
1		A1-D.250-G10	G10	A1-D.250	2912	0.450	1308	2.000	1.8720	3	208	5.9	598	27	92

GAS FIRED MAKE-UP AIR UNIT(S)

FAN UNIT NO.	TAG	INPUT BTUs	OUTPUT BTUs	TEMP. RISE	REQUIRED INPUT GAS PRESSURE	GAS TYPE
1		185925	171051	55 deg F	7 in. w.c. - 14 in. w.c.	Natural

FAN OPTIONS

FAN UNIT NO.	TAG	OPTION (Qty. - Descr.)
1		1 - Motorized Backdraft Damper for A1-D Housing
		1 - AC Interlock Relay - 24VAC Coil
		1 - Low Fire Start
		1 - Inlet Pressure Gauge, 0-35"
		1 - Manifold Pressure Gauge, -5 to 15" wc

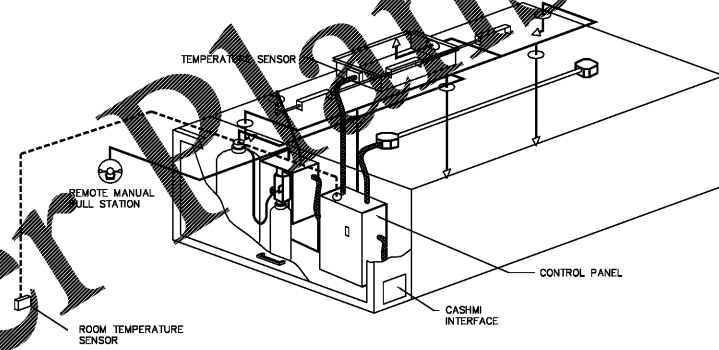
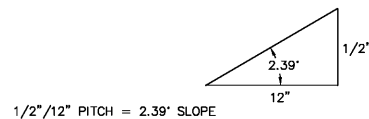
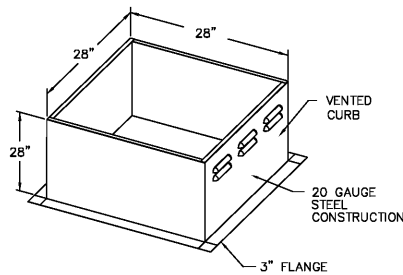
FAN ACCESSORIES

FAN UNIT NO.	TAG	EXHAUST				SUPPLY		
		GREASE CUP	GRAVITY DAMPER	WALL MOUNT	SIDE DISCHARGE	GRAVITY DAMPER	MOTORIZED DAMPER	WALL MOUNT
1							YES	

CURB ASSEMBLIES

NO.	ON FAN	WEIGHT	ITEM	SIZE
1	# 1	63 LBS	Curb	21.000"W x 71.000"L x 20.000"H 0.500:12.000 Pitch Along Width, Right Insulated
2		83 LBS	Curb	28.000"W x 28.000"L x 28.000"H 0.500:12.000 Pitch

CURB #2 HRE28X28E



TYPICAL CONTROL CENTER INSTALLATION

CAPTIVE-IRE HOODS ARE BUILT IN COMPLIANCE WITH



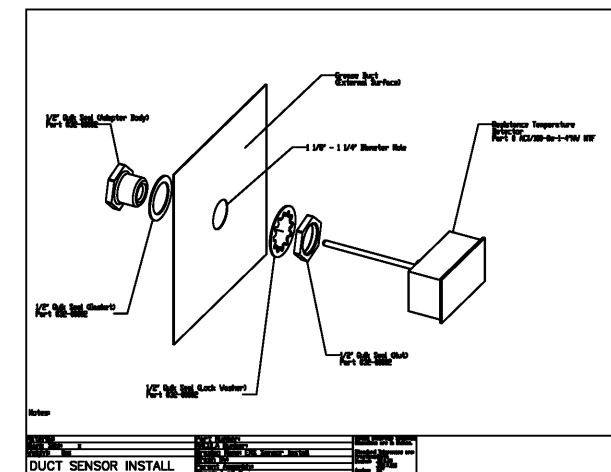
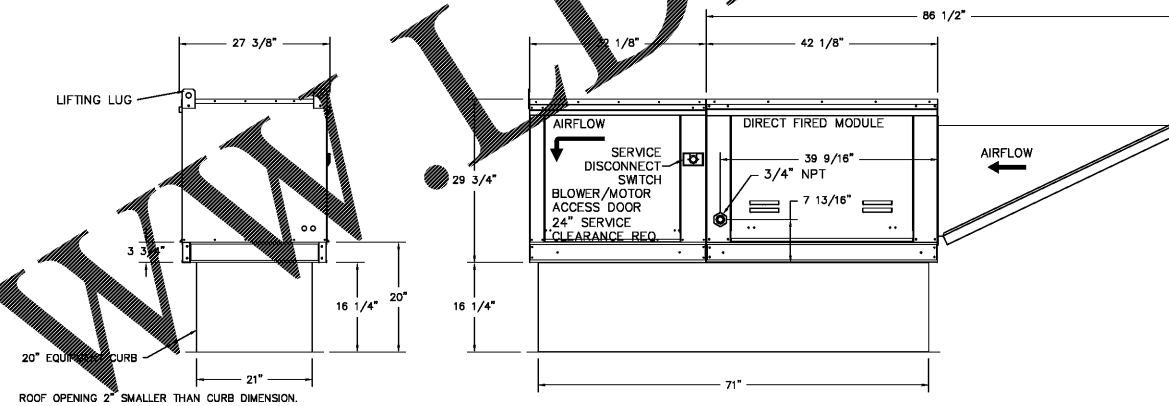
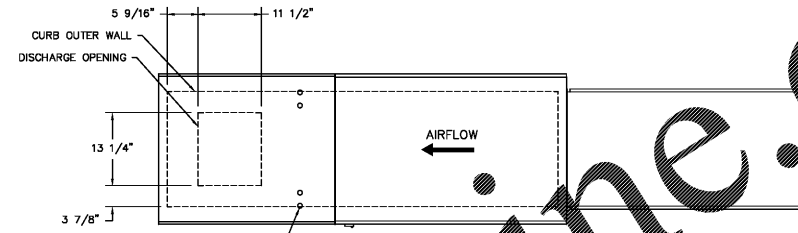


Intertek
 NFPA #96
 NSF
 UL 710 & ULC710 STANDARDS
 E.T.L. LISTED 3054804-001

FOR QUESTIONS, CALL THE
 PIEDMONT NORTH CAROLINA OFFICE
 LONNIE GRANT (REGIONAL MANAGER)
 PHONE: 336-996-8484, FAX: 336-996-0418
 EMAIL: reg30@captiveaire.com

- FAN #1 A1-D.250-G10 - HEATER
1. DIRECT GAS FIRED HEATED MAKE UP AIR UNIT WITH 10" BLOWER
 2. INTAKE HOOD WITH EZ FILTERS
 3. DOWN DISCHARGE - AIR FLOW RIGHT -> LEFT
 4. MOTORIZED BACK DRAFT DAMPER 16" X 18" FOR SIZE 1 STANDARD & MODULAR DIRECT FIRED HEATERS W/EXTENDED SHAFT, STANDARD GALVANIZED CONSTRUCTION, 3/4" REAR FLANGE, LF120S ACTUATOR INCLUDED
 5. COOLING INTERLOCK RELAY: 24VAC COIL, 120V CONTACTS. LOOKS OUT BURNER CIRCUIT WHEN AC IS ENERGIZED.
 6. LOW FIRE START. ALLOWS THE BURNER CIRCUIT TO ENERGIZE WHEN THE MODULATION CONTROL IS IN A LOW FIRE POSITION.
 7. GAS PRESSURE GAUGE, 0-35", 2.5" DIAMETER, 1/4" THREAD SIZE
 8. GAS PRESSURE GAUGE, -5 TO +15 INCHES WC., 2.5" DIAMETER, 1/4" THREAD SIZE

SUPPLY SIDE HEATER INFORMATION:
 WINTER TEMPERATURE = 20°F, TEMP. RISE = 55°F.
 BTUs CALCULATED OFF ACTUAL AIR DENSITY
 OUTPUT BTUs AT ALTITUDE OF 0.0 ft. = 171051
 INPUT BTUs AT ALTITUDE OF 0.0 ft. = 185925



LANDSEY ARCHITECTURE
 125 S. Salisbury Street, Suite 300
 Salisbury, NC 27401
 P: 336.817.4402
 F: 336.817.4434
 www.landseyarchitecture.com

Optima engineering
 1459 South Tryon St., Suite 200
 150 Fayetteville St., Suite 520 Raleigh, NC 27601
 Phone: 704-338-1292 • www.optimaengineering.com
 North Carolina License Number: C-0814

8/04/17

COOK OUT
 2546 Chimney Rock Road
 Hendersonville, NC

Mk	Date	Description
		Revisions

KITCHEN HOOD INFO - MECHANICAL

Date: 08-04-17
 Drawn By: SJR
 Check By: MEH
 Job No.: 17-0081-000
 Sheet:

M4-3
 8 OF 8

FOR DESIGN INFORMATION ONLY