

Fire System Information - Job#2555728

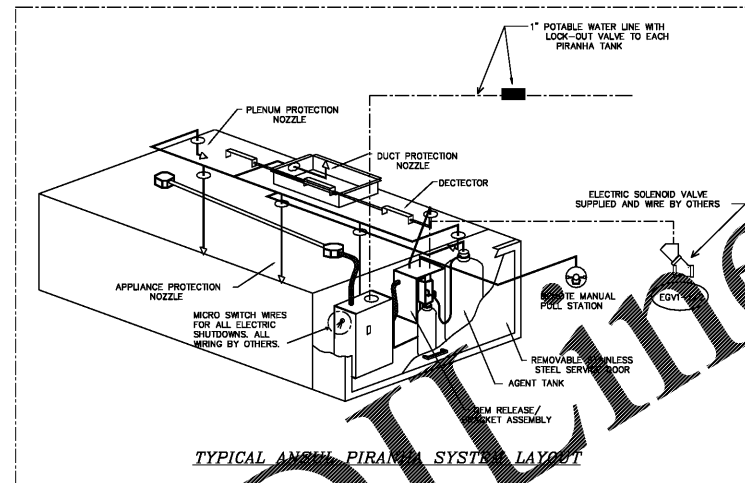
FIRE SYSTEM NO.	Tag	TYPE	SIZE	FLOW POINTS	INSTALLATION	
					SYSTEM	LOCATION ON HOOD
1		Ansul Piranha	10	3	Fire Cabinet Left	Left

Fire System Parts List Key

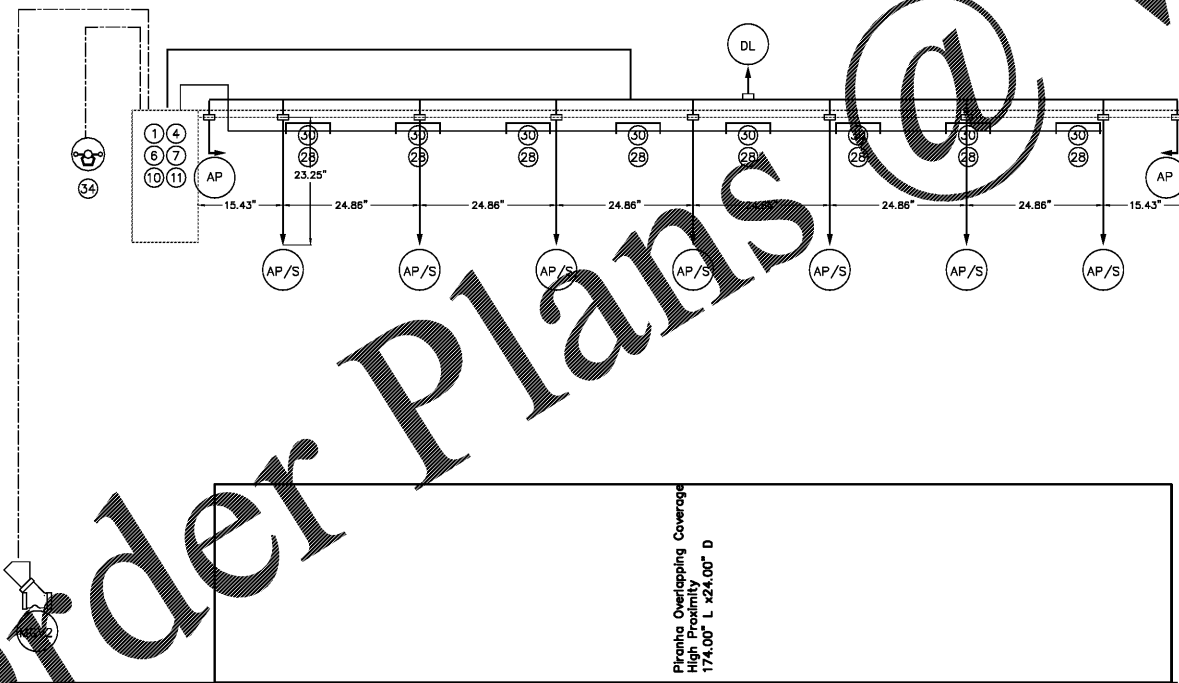
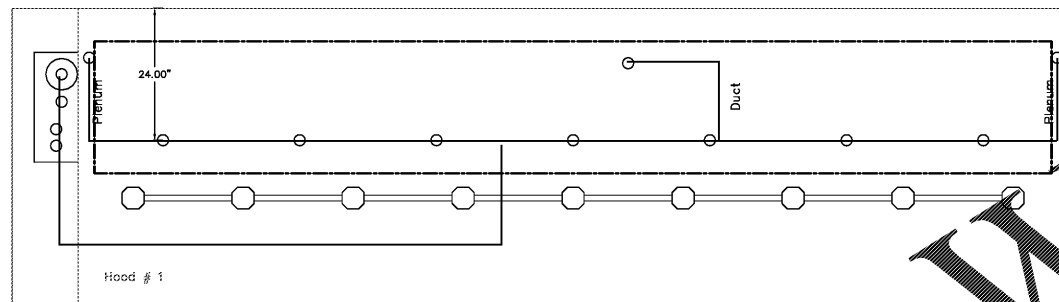
FIRE SYSTEM NO.	TAG	KEY NUMBER - PART DESCRIPTION	QTY. BY FACTORY	QTY. BY DIST.
		0 - 0 - METALCAP-CB BLOWOFF CAP - Metal	10	0
		1 - 1 - P-MRR-OEM REGULATED RELEASE - Ansul Automan Mechanical Regulated Release, (OEM, PIRANHA) (423629) Cartridge Detection Included	1	0
		4 - 4 - P-10 TANK - 2.25 Gallon Stainless Steel Tank Assembly (PIRANHA-10)	1	0
		6 - 6 - PRX LIQUID AGENT PRX (AS NEEDED)	0	1
		7 - 7 - LT-30-R LT-30-R CARTRIDGE	0	1
		10 - 10 - TLINK TEST LINK (1 test link)	0	1
		11 - 11 - MICRO-SDA MICROSWITCH KIT - Includes 2 switches and Mounting Hardware. Single Dual Electric Switch, One Standard Switch, One Alarm Duty Switch 437155	1	0
		15 - 15 - 423572 SWIVEL ADAPTOR (419385)	7	0
		17 - 17 - 426092 NOZZLE - DL Nozzle, Duct/Low Proximity, Piranha (Replaces ANSUL Part# 426092) A0005170	1	0
		18 - 18 - 423482 NOZZLE - AP Nozzle, Appliance/Plenum, Piranha (Replaces ANSUL Part# 423482) A0001263	9	0
		26 - 26 - QSA-3/8 QUIK SEAL - 3/8" (UL)	10	0
		27 - 27 - QPSA-1/2 PULLEY SEAL - 1/2" Hood Seal (UL)	1	0
		28 - 28 - S-DET SERIES DETECTOR SCISSOR LINKAGE NEW#435547/435548 (OLD#417369/434480)	8	0
		30 - 30 - ANS-500FL FUSIBLE LINK - 500deg F, R-102 and PIRANHA	8	0
		34 - 34 - RPS-A REMOTE PULL STATION - Aluminum (with 50ft wire rope) Part# 54011 (Old Macola #06-54011/435960)	1	0
		35 - 35 - PE-LT LOW TEMP PULLEY ELBOW	2	0
		36 - 36 - PE-HT HIGH TEMP PULLEY ELBOW (423250)	1	0

ANSUL "PIRANHA" SYSTEM NOTES

PLUMBING CONTRACTOR TO CONNECT THE WATER FLOW VALVE AT EACH FIRE SYSTEM TANK TO THE BUILDINGS POTABLE WATER SUPPLY BY A 1" WATER LINE FLOWING WATER PRESSURE BETWEEN 33 AND 100 PSI. THIS WATER LINE MUST BE DEDICATED TO THE PIRANHA SYSTEM AND MUST INCLUDE A SINGLE, FULL FLOW, INDICATING, LOCKED OPEN, TAMPERPROOF SHUT OFF VALVE AND MUST BE CONNECTED TO THE POTABLE WATER SUPPLY LINE IMMEDIATELY DOWNSTREAM FROM THE MAIN SHUT OFF VALVE.



TYPICAL ANSUL PIRANHA SYSTEM LAYOUT



NOTES

- FIELD PIPE PROPS AS SHOWN
- SLEEVING, ELBOWS, TEES AND NOZZLES SUPPLIED BY CAS
- RELOCATE NOZZLES IF FLOW PATTERN IS BLOCKED BY SHELVING, SALAMANDERS, ETC.
- MAXIMUM 9 ELBOWS SUPPLY LINE.
- MINIMUM 72 INCHES OF AGENT LINE FROM TANK TO FIRST NOZZLE.
- APPLICABLE, PRE-PIPED CHARBROILER DROPS ARE SHIPPED LOOSE.
- ALL DRY PIPING EXTENDS A MAXIMUM OF 6" ABOVE THE TOP OF THE HOOD.
- APPLIANCE DIMENSIONS LISTED REPRESENT THE COOKING SURFACE SIZE, NOT THE OVERALL APPLIANCE SIZE.
- THIS FIRE SYSTEM COMPLIES WITH U.L. 300 REQUIREMENTS

Job #: 2492060  
 Job Name - Cook Out  
 Drawn By:  
 System Size: PIRANHA-10 Total FP required: 10  
 Hood # 1 15' 0.00" Long x 54" Wide x 24" High  
 Riser # 1 Size: 10" x 34"  
 Hood # 1 Metal Blow-Off Caps included.

LEGEND - ANSUL PIRANHA SYSTEM

- 1 PIRANHA MECHANICAL REGULATED RELEASE ASSEMBLY
- 2 PIRANHA REGULATED ACTUATOR ASSEMBLY
- 3 PIRANHA 7 TANK (1.5 GALLON)
- 4 PIRANHA 10 TANK (2.25 GALLON)
- 5 PIRANHA 13 TANK (3.0 GALLON)
- 6 PRX LIQUID FIRE SUPPRESSANT
- 7 LT-30-R NITROGEN CARTRIDGE
- 8 LT-20-R NITROGEN CARTRIDGE
- 9 DOUBLE TANK CARTRIDGE
- 10 TEST LINK
- 11 DOUBLE MICROSWITCH
- DL DUCT NOZZLE
- AP APPLIANCE/PLENUM NOZZLE
- AP/S APPLIANCE/PLENUM NOZZLE WITH SWIVEL ADAPTOR
- 28 DETECTOR BRACKET
- 29 LOW TEMP FUSIBLE LINK
- 30 HIGH TEMP FUSIBLE LINK
- MGV MECHANICAL GAS VALVE
- EGV ELECTRICAL GAS VALVE
- 34 REMOTE MANUAL PULL STATION

FOR QUESTIONS, CALL THE  
 PIEDMONT NORTH CAROLINA OFFICE  
 LONNIE GRANT (REGIONAL MANAGER)  
 PHONE: 336-996-8484, FAX: 336-996-0418  
 EMAIL: reg30@captiveaire.com

www.lindseyarchitecture.com  
 LINDESEY ARCHITECTURE  
 125 S. Salisbury Street, Suite 300  
 Salisbury, NC 27401  
 P: 336.871.4402  
 F: 336.871.4434

Optima engineering  
 1629 South Tryon St., Suite 400  
 150 Fountainhead St., Suite 520 Raleigh, NC 27601  
 Phone: 704-338-1292 • www.optimaengineering.com  
 North Carolina License Number: C-0914

8/04/17

**COOK OUT**  
 2546 Chimney Rock Road  
 Hendersonville, NC

Mk	Date	Description
		Revisions

KITCHEN HOOD INFO -  
**MECHANICAL**

Date 08-04-17  
 Drawn By SJR  
 Check By MEH  
 Job No. 17-0081-000  
 Sheet

**M4-2**  
 7 OF 8

**FOR DESIGN INFORMATION ONLY**