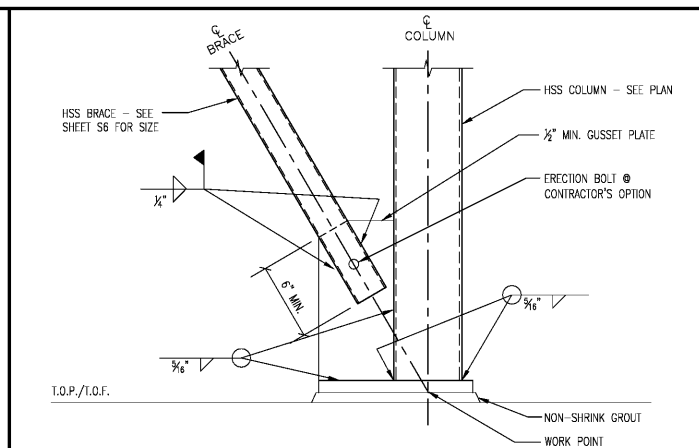
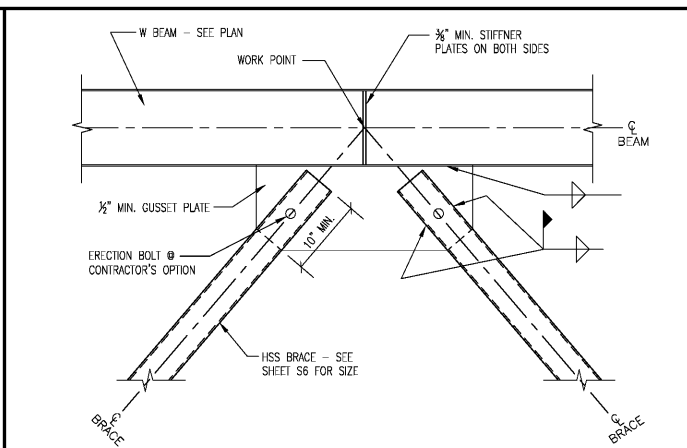


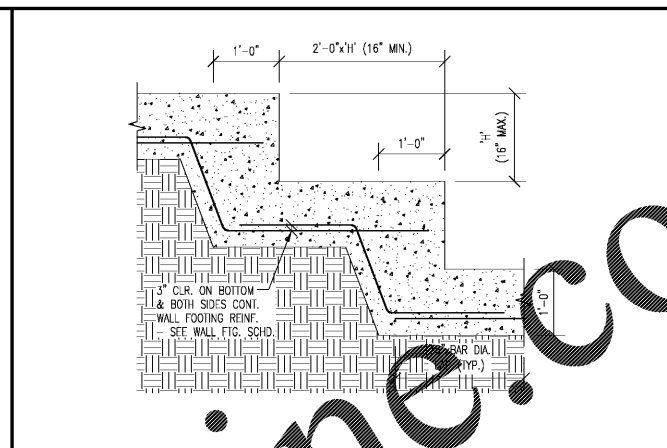
SECTION NO. 1 S7
SCALE 3/4" = 1'-0"
DETAIL



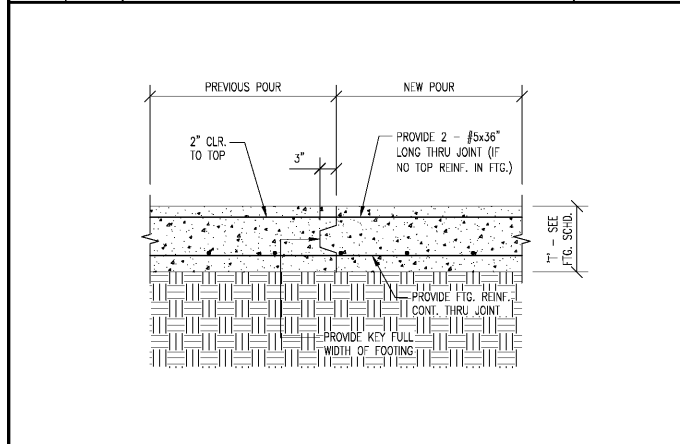
SECTION NO. 2 S7
SCALE 3/4" = 1'-0"
DETAIL



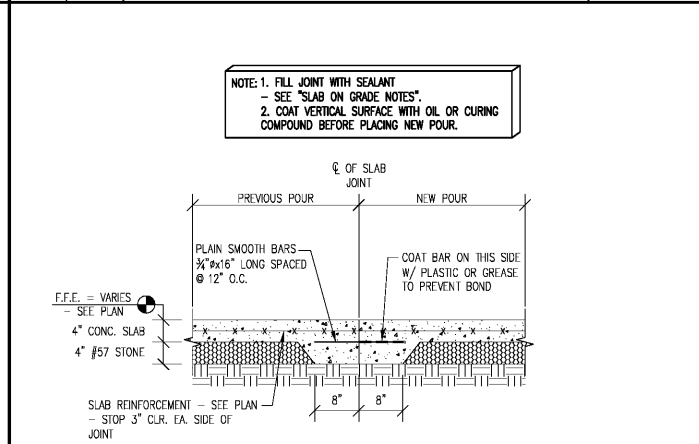
SECTION NO. 3 S7
SCALE 3/4" = 1'-0"
DETAIL



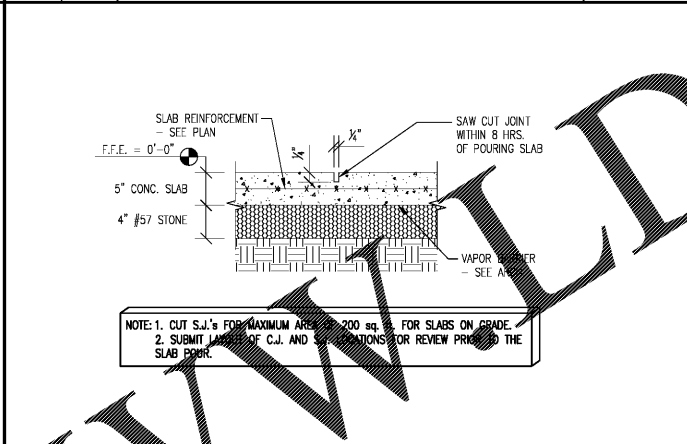
SECTION NO. 4 S7
SCALE 3/4" = 1'-0"
TYPICAL STEPPED WALL FOOTING DETAIL



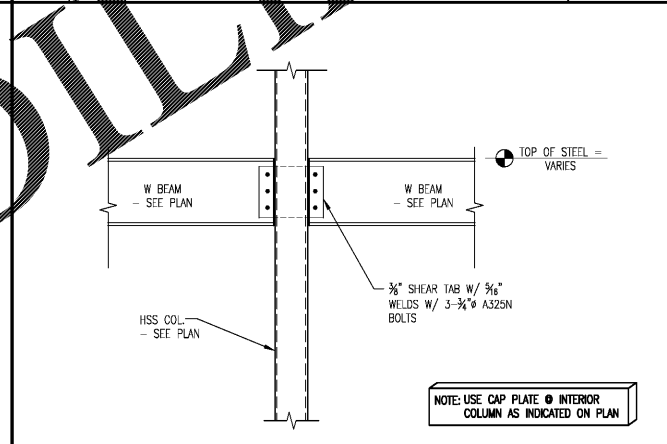
SECTION NO. 5 S7
SCALE 3/4" = 1'-0"
TYP. WALL FTG. @ CONST. JOINT DETAIL



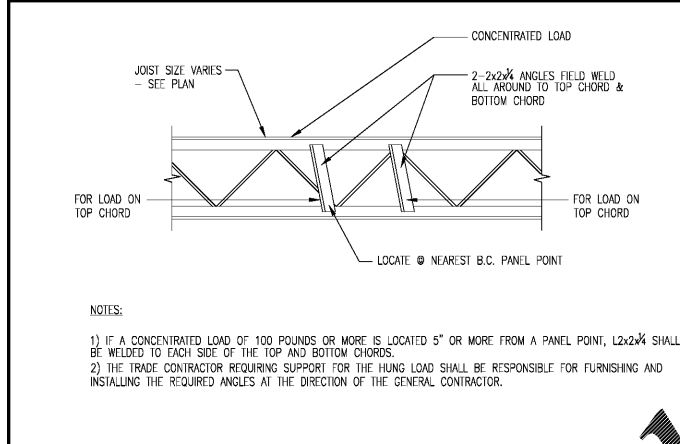
SECTION NO. 6 S7
SCALE 3/4" = 1'-0"
SLAB CONST. JOINT (C.J.)



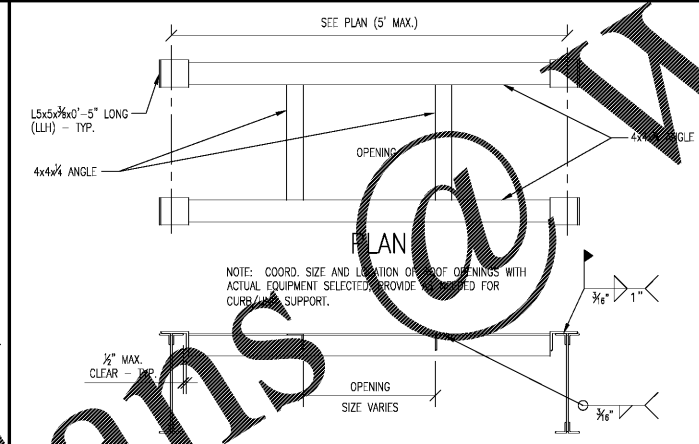
SECTION NO. 7 S7
SCALE 3/4" = 1'-0"
SLAB SAWED CUT JOINT (S.J.)



SECTION NO. 8 S7
SCALE 3/4" = 1'-0"
TYPICAL BEAM TO COL. CONN. DETAIL



SECTION NO. 9 S7
SCALE 3/4" = 1'-0"
BAR JOIST REINFORCEMENT DETAIL



SECTION NO. 10 S7
SCALE 3/4" = 1'-0"
TYPICAL ROOF OPENING DETAIL

ANDREY ARCHITECTURE
5 S. Elm Street, Suite 300
Greensboro, NC 27401
Phone: 336.617.4482
www.andreyarchitecture.com

COOK OUT
2546 Chimney Rock Road
Hendersonville, NC

NO.	DATE	DESCRIPTION

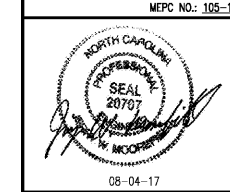
DETAILS

MEPC
MOOREFIELD ENGINEERING, P.C.
Consulting Engineer

Physical/Mailing Address:
University Commercial Center
7950 North Point Blvd., Suite 209
Winston-Salem, NC 27106

Phone: 336-593-9623
Fax: 336-593-3912
Web: mepc-consultants.com
email: office@mepc-consultants.com

MEPC NO: 105-17



DATE 08-04-2017
DRAWN BY JKP
CHECK BY JUM
JOB NO. 17-0000000
SHEET
S7 of S8

Order Plans

FIRM REGISTRATION NO.: C-1323