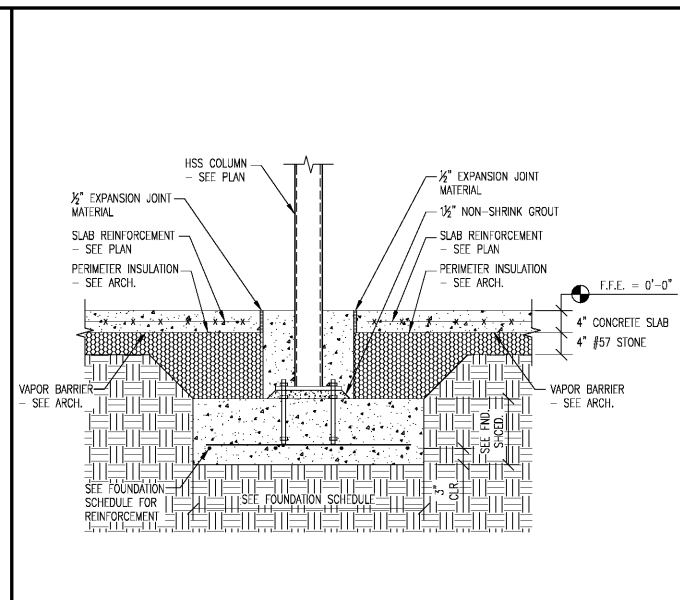
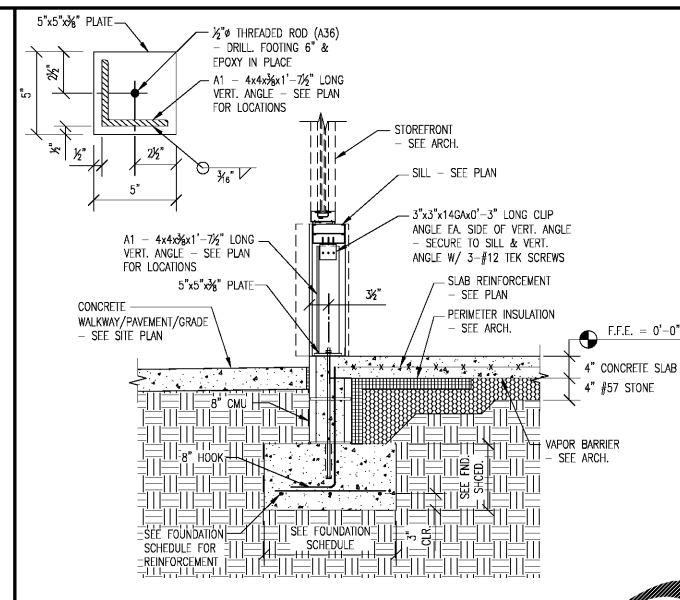


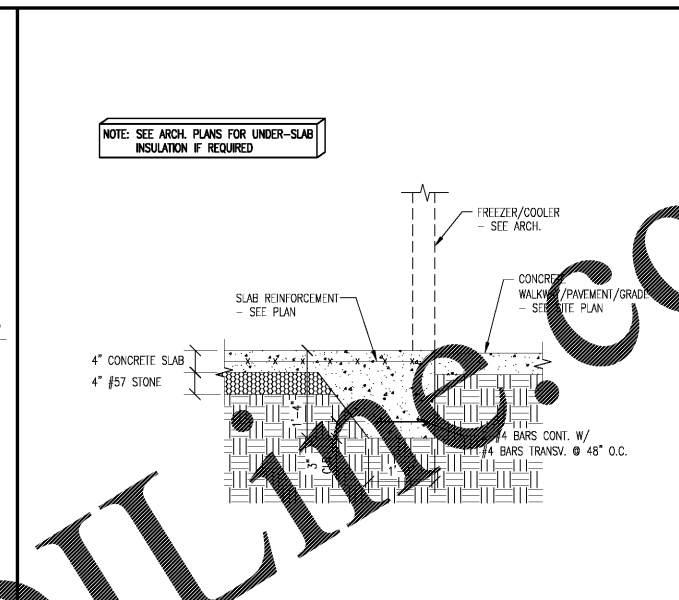
SECTION NO.	SECTION	SCALE
1 S5	SECTION	3/4" = 1'-0"



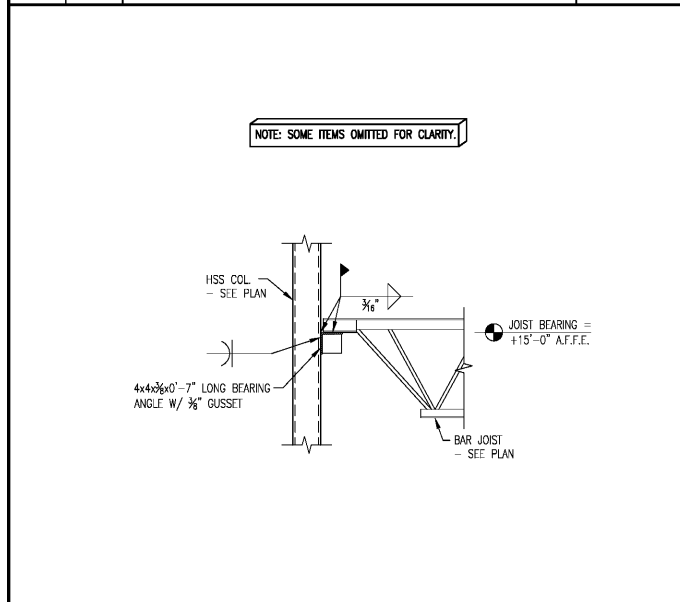
SECTION NO.	SECTION	SCALE
2 S5	SECTION	3/4" = 1'-0"



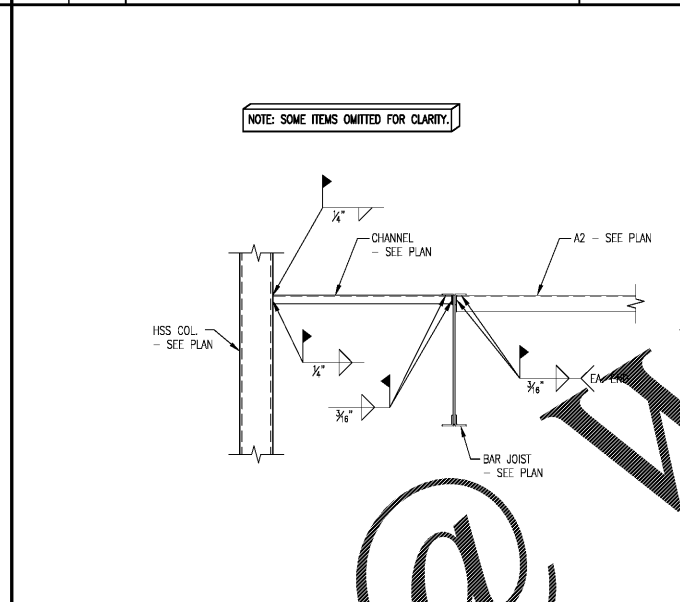
SECTION NO.	SECTION	SCALE
3 S5	SECTION	3/4" = 1'-0"



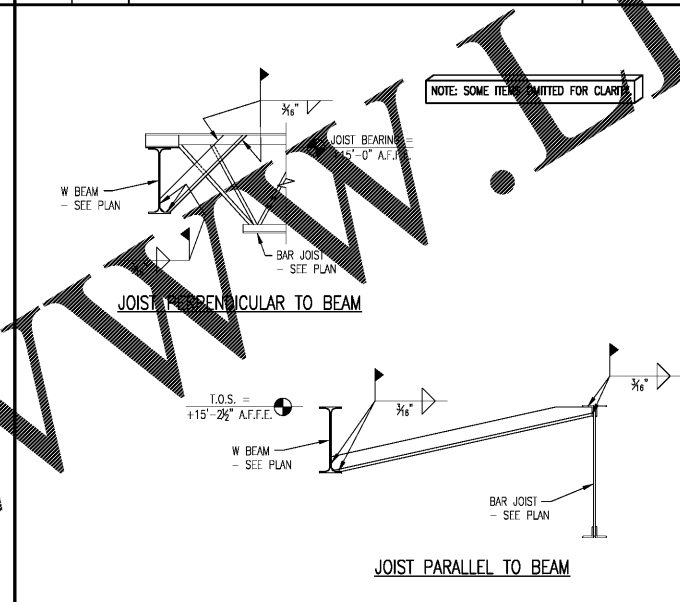
SECTION NO.	SECTION	SCALE
4 S5	SECTION	3/4" = 1'-0"



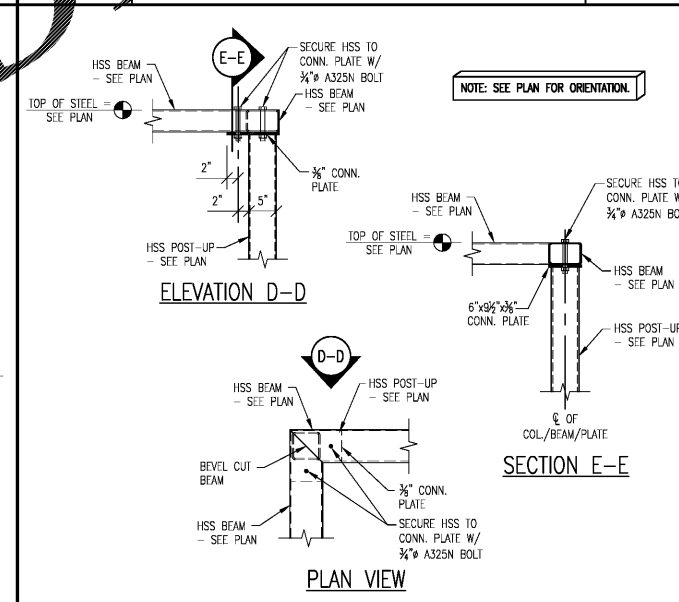
SECTION NO.	SECTION	SCALE
5 S5	SECTION	3/4" = 1'-0"



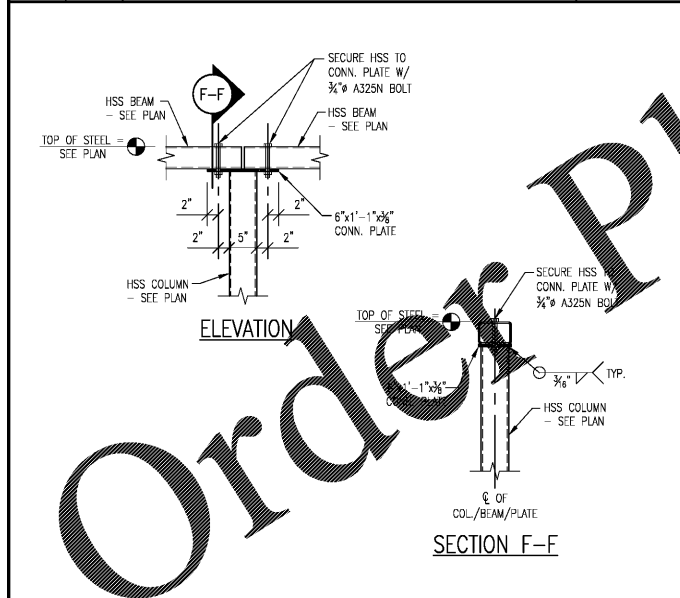
SECTION NO.	SECTION	SCALE
6 S5	SECTION	3/4" = 1'-0"



SECTION NO.	SECTION	SCALE
7 S5	BOTTOM BEAM FLANGE BRACE DETAIL	3/4" = 1'-0"



SECTION NO.	SECTION	SCALE
8 S5	SECTION	3/4" = 1'-0"



SECTION NO.	SECTION	SCALE
9 S5	SECTION	3/4" = 1'-0"

**INDSEY ARCHITECTURE**  
 15 S. Elm Street, Suite 300  
 Greensboro, NC 27402  
 Phone: 336.617.4482  
 Fax: 336.617.4434  
 www.indseyarchitecture.com

**COOK OUT**  
 2546 Chimney Rock Road  
 Hendersonville, NC

NO.	DATE	DESCRIPTION

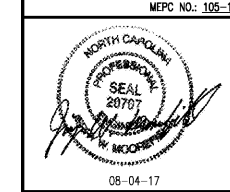
**SECTIONS**

**MEPC**  
**MOOREFIELD ENGINEERING, P.C.**  
 Consulting Engineer

Physical/Mailing Address:  
 University Commercial Center  
 7990 North Point Blvd., Suite 209  
 Winston-Salem, NC 27106

Phone: 336-593-9623  
 Fax: 336-593-3912  
 Web: mepc-consultants.com  
 email: office@mepc-consultants.com

MEPC NO: 105-17



DATE: 08-04-2017  
 DRAWN BY: JKP  
 CHECK BY: JUM  
 JOB NO.: 17-081-000  
 SHEET: S5 of S8

Order Plans @

WWW.INDSEYARCHITECTURE.COM