

PROJECT  
2.160425.0  
DTbH BIRMINGHAM  
ALABAMA  
CONVERSION

8 PERIMTER PARK  
SOUTH  
BIRMINGHAM, AL  
35243

**Lu+Smith**  
ENGINEERS

5243 HICKORY PARK DRIVE, STE C  
GLEN ALLEN, VA 23059  
p: 804.525.2800 f: 804.525.2170  
www.LSEngineers.net

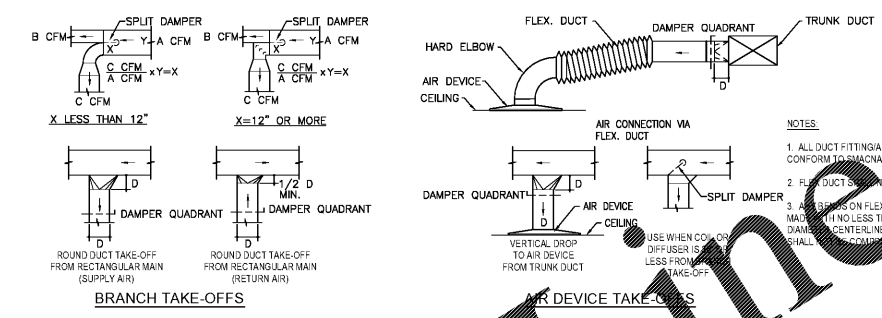
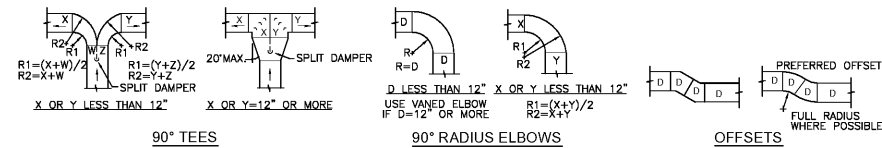


COPYRIGHT 2017 BASKERVILL. USE OF THIS WORK IN WHOLE OR IN PART IS FORBIDDEN WITHOUT EXPRESSED WRITTEN CONSENT.

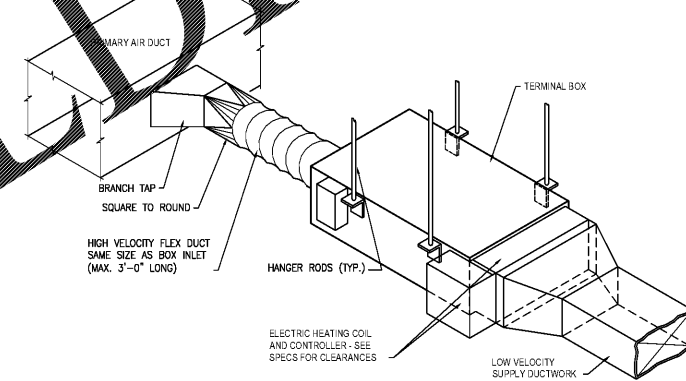
ISSUE  
06/12/2017 -  
CONSTRUCTION  
DRAWINGS

DRAWING TITLE  
DETAILS

DRAWING NO.



LOW PRESSURE NETWORK STANDARD  
NOTE: ALL DUCTWORK FABRICATION SHALL MEET SMACNA STANDARD (LATEST EDITION)



VAV BOX W/ ELEC COIL DETAIL  
NOTE: COORDINATE WITH MANUFACTURER'S INSTALLATION GUIDE

Order Plans @ WWW.LDILLING.COM