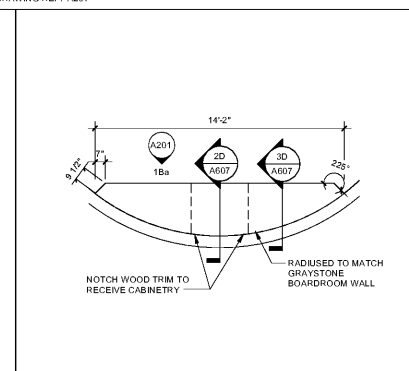
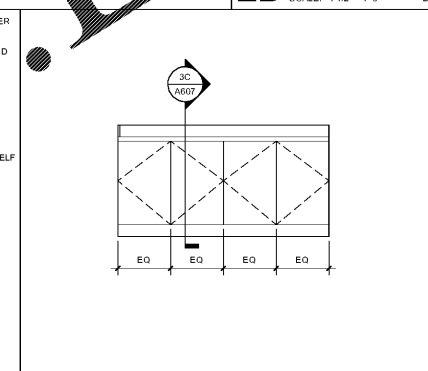
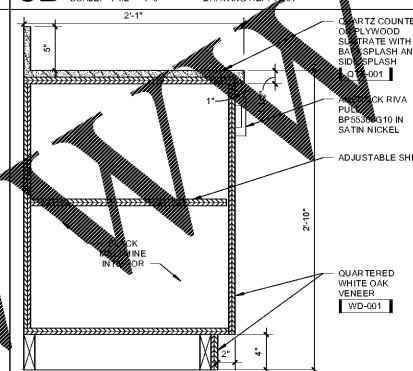


3D SECTION - GRAYSTONE MILLWORK  
SCALE: 1 1/2" = 1'-0" DRAWING REF: A601

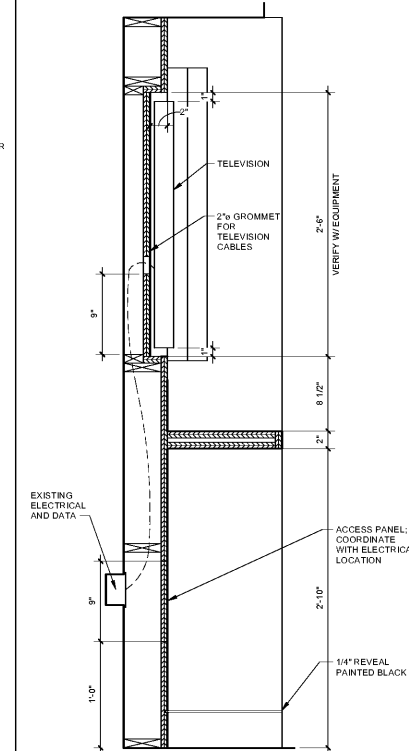
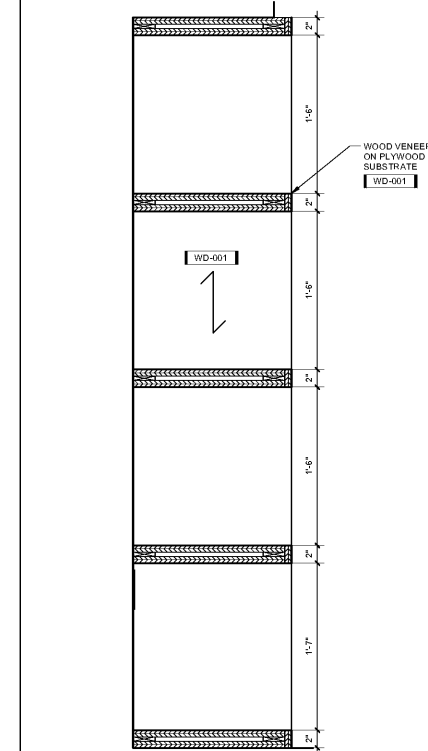
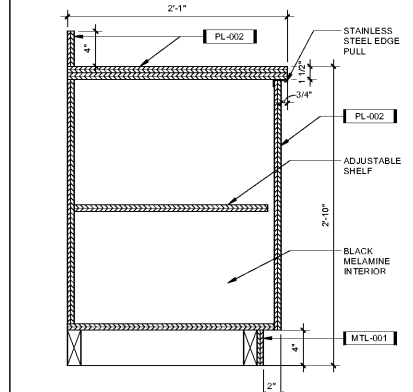
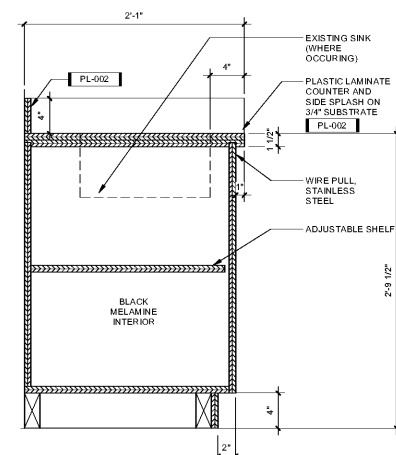
2D SECTION - GRAYSTONE @ FRIDGE  
SCALE: 1 1/2" = 1'-0" DRAWING REF: A201



3C SECTION - MEETING ROOM MILLWORK  
SCALE: 1 1/2" = 1'-0" DRAWING REF: A607

2C ELEVATION - MEETING ROOM MILLWORK  
SCALE: 1/2" = 1'-0" DRAWING REF: A111a

1C PLAN - GRAYSTONE BDRM MILLWORK  
SCALE: 1/4" = 1'-0" DRAWING REF: A111a



4A SECTION - BREAKROOM COUNTER  
SCALE: 1 1/2" = 1'-0" DRAWING REF: A111a

3A SECTION - OFFICE MILLWORK  
SCALE: 1 1/2" = 1'-0" DRAWING REF: A111a

2A SECTION - EXEC LOUNGE MILLWORK  
SCALE: 1 1/2" = 1'-0" DRAWING REF: A401

1A SECTION - EXECUTIVE LOUNGE @ TV  
SCALE: 1 1/2" = 1'-0" DRAWING REF: A601



COPYRIGHT 2017 BASKERVILL. USE OF THIS WORK IN WHOLE OR IN PART IS FORBIDDEN WITHOUT EXPRESSED WRITTEN CONSENT.

ISSUE  
6/12/2017 -  
CONSTRUCTION SET

DRAWING TITLE  
MILLWORK DETAILS -  
MISCELLANEOUS

DRAWING NO.  
A607

Order Plans @

WWW.LDOnline.COM