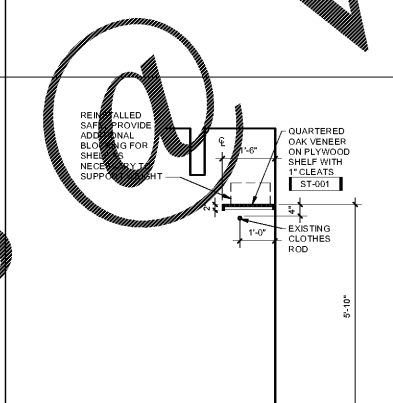


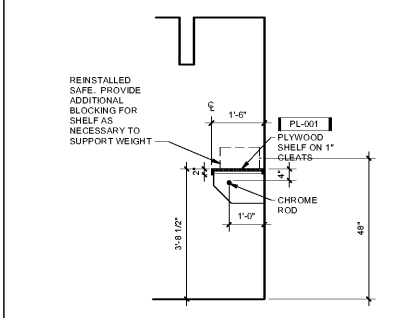


Order Plans

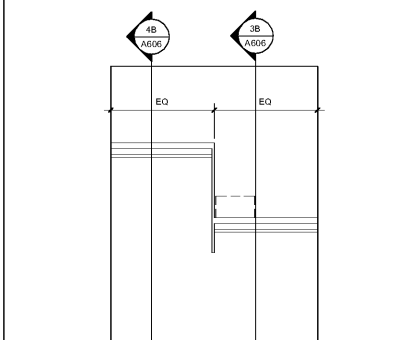
WWW.LDILine.COM



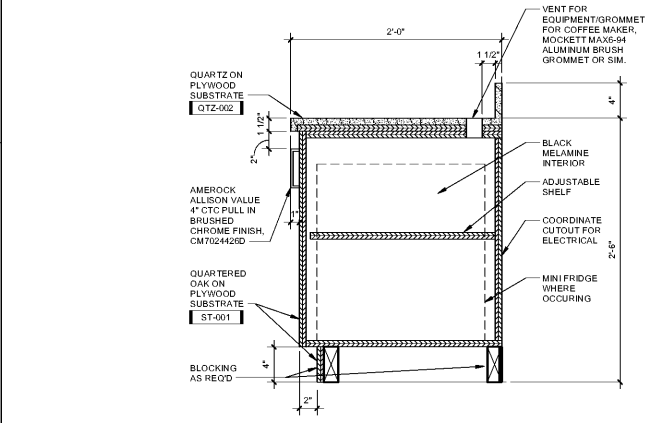
4B DETAIL - CLOSET SHELF AND ROD
SCALE: 1/2" = 1'-0" DRAWING REF: A606



3B ACCESSIBLE CLOSET DETAIL
SCALE: 1/2" = 1'-0" DRAWING REF: A606



3A ELEVATION ACCESSIBLE CLOSET
SCALE: 1/2" = 1'-0" DRAWING REF: A606



2A SECTION - QQ SUITE MILLWORK
SCALE: 1/12" = 1'-0" DRAWING REF: A450