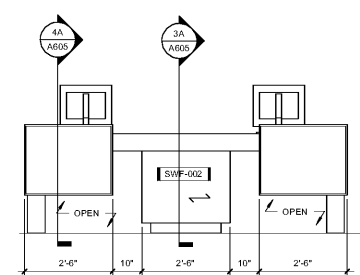
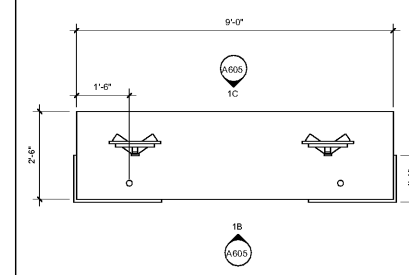


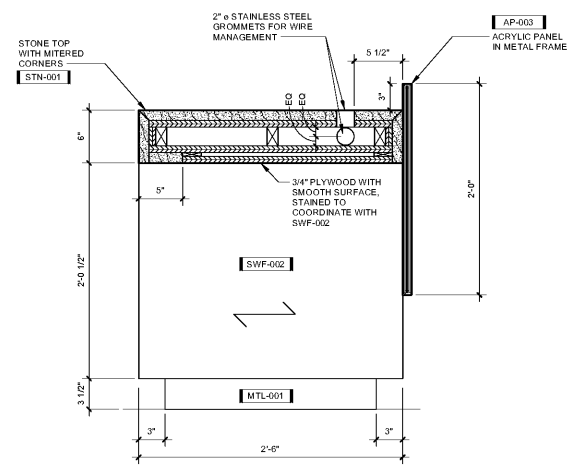
1C ELEVATION  
SCALE: 1/2" = 1'-0" DRAWING REF: A605



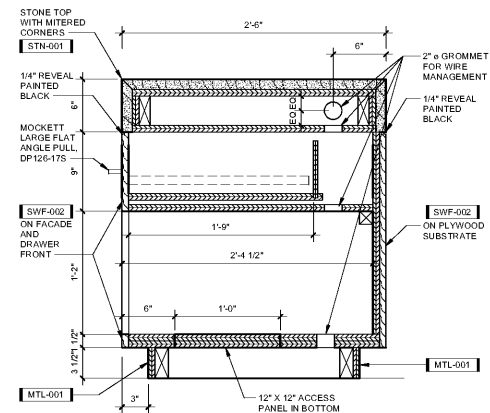
1B ELEVATION  
SCALE: 1/2" = 1'-0" DRAWING REF: A605



1A PLAN - CONNECTIVITY STATION  
SCALE: 1/2" = 1'-0" DRAWING REF: A111a



4A SECTION - CONNECTIVITY STATION  
SCALE: 1 1/2" = 1'-0" DRAWING REF: A605



3A SECTION - CONNECTIVITY CABINET  
SCALE: 1 1/2" = 1'-0" DRAWING REF: A605



COPYRIGHT © 2017 BASKERVILL. USE OF THIS WORK IN WHOLE OR IN PART IS FORBIDDEN WITHOUT EXPRESSED WRITTEN CONSENT.

ISSUE  
6/12/2017 -  
CONSTRUCTION SET

DRAWING TITLE  
MILLWORK DETAILS -  
CONNECTIVITY  
STATION

DRAWING NO.  
A605

Order Plans @

WWW.LDILine.COM