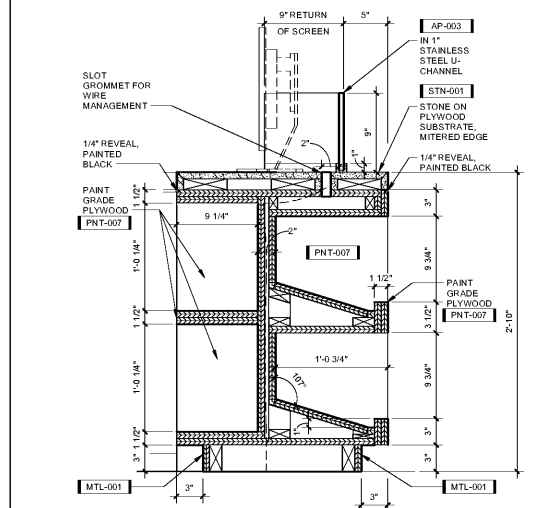
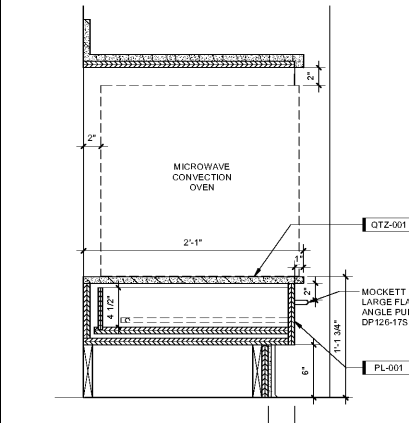


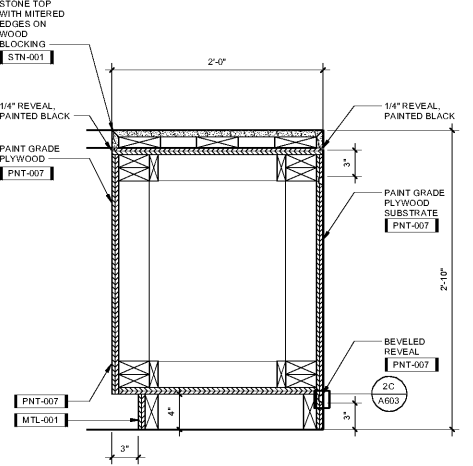
2D SECTION - MADEMARKET @ ESPRESSO
SCALE: 1/2" = 1'-0" DRAWING REF: A603



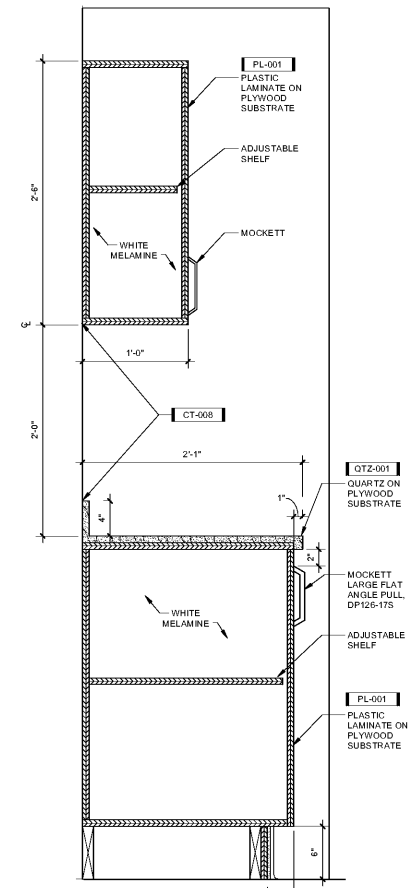
3D SECTION - MADEMARKET @ POS
SCALE: 1/2" = 1'-0" DRAWING REF: A603



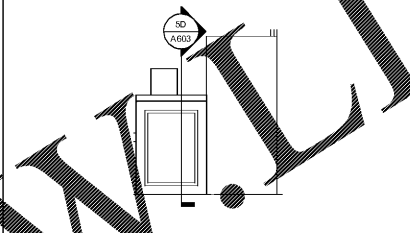
4D SECTION - MADE MARKET OVEN
SCALE: 1/2" = 1'-0" DRAWING REF: A603



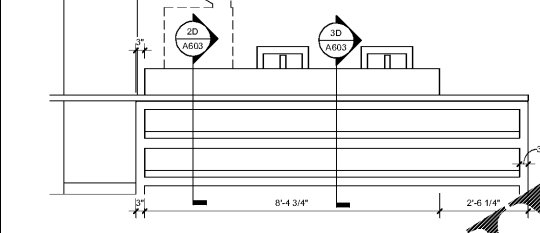
5D SECTION - MADEMARKET STORAGE
SCALE: 1/2" = 1'-0" DRAWING REF: A603



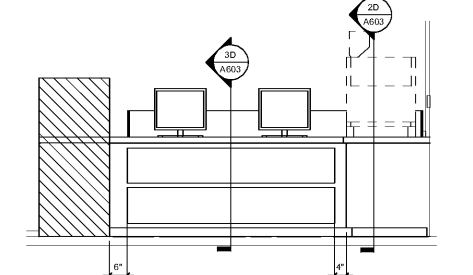
6D SECTION - MADEMARKET BACK BAR
SCALE: 1/2" = 1'-0" DRAWING REF: A603



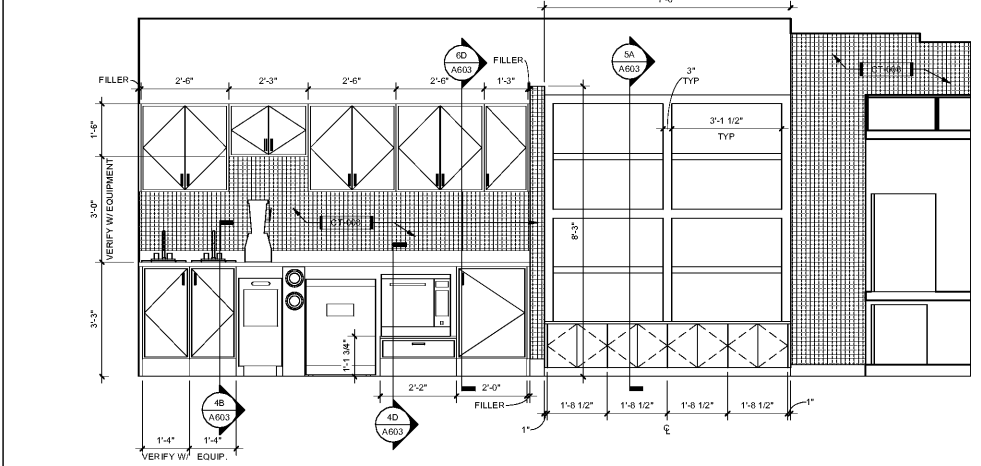
3C ELEVATION - MADEMARKET END
SCALE: 1/2" = 1'-0" DRAWING REF: A603



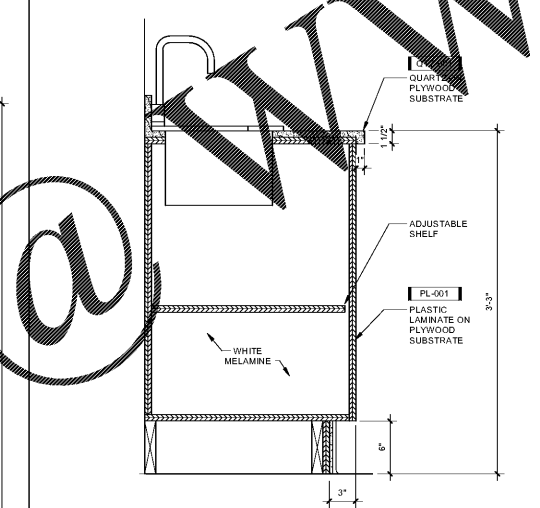
4C ELEVATION - MADEMARKET COUNTER
SCALE: 1/2" = 1'-0" DRAWING REF: A602



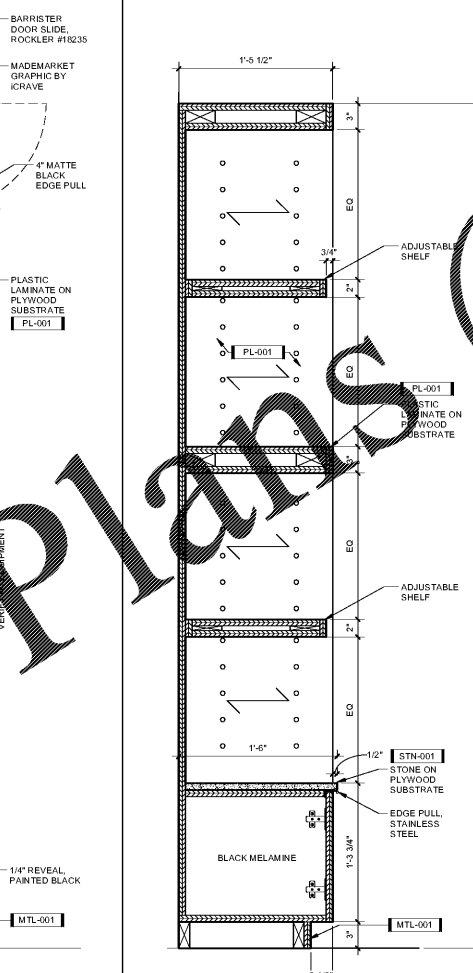
5C ELEVATION - MADEMARKET COUNTER
SCALE: 1/2" = 1'-0" DRAWING REF: A111a



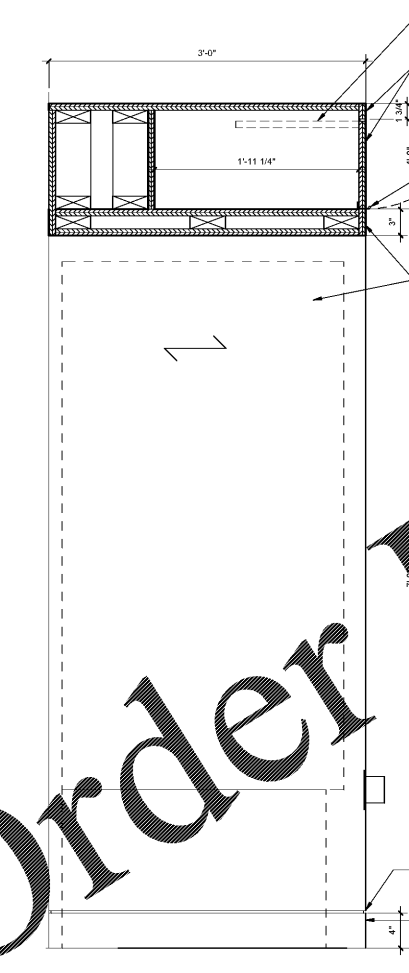
3B ELEVATION - MADEMARKET
SCALE: 1/2" = 1'-0" DRAWING REF: A603



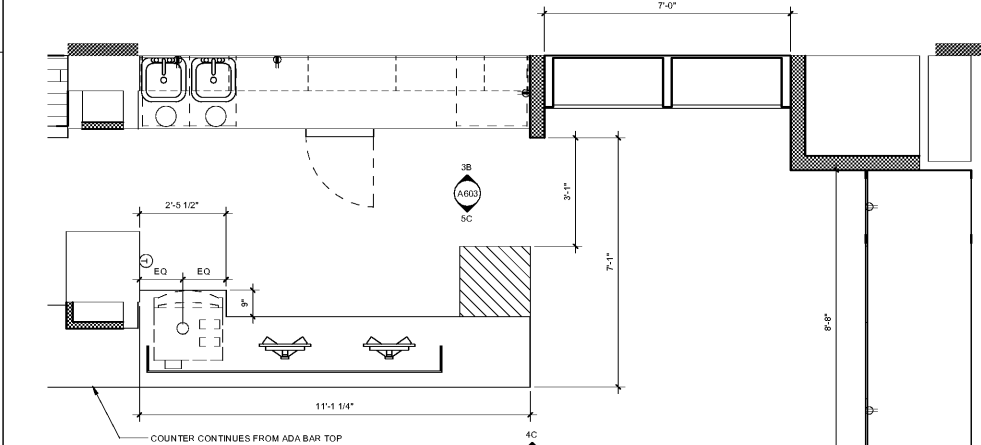
4B SECTION - MADEMARKET SINK
SCALE: 1/2" = 1'-0" DRAWING REF: A603



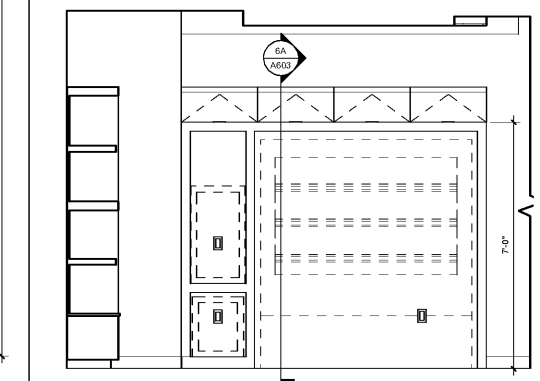
5A SECTION - MADEMARKET SLAT WALL
SCALE: 1/2" = 1'-0" DRAWING REF: A603



6A SECTION - REFRIGERATOR SURROUND
SCALE: 1/2" = 1'-0" DRAWING REF: A603



3A ENLARGED PLAN - MADE MARKET
SCALE: 1/2" = 1'-0" DRAWING REF: A111a



4A ELEVATION - MADEMARKET REFRIGERATORS
SCALE: 1/2" = 1'-0" DRAWING REF: A603

Order Plans @ WWW.MILLWORKDETAILS.COM