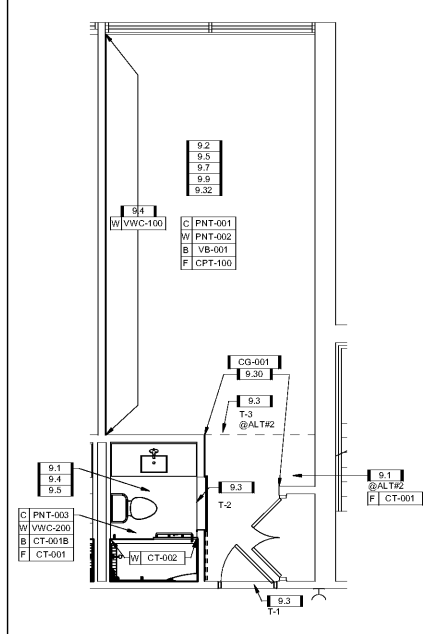


GENERAL GUESTROOM NOTES

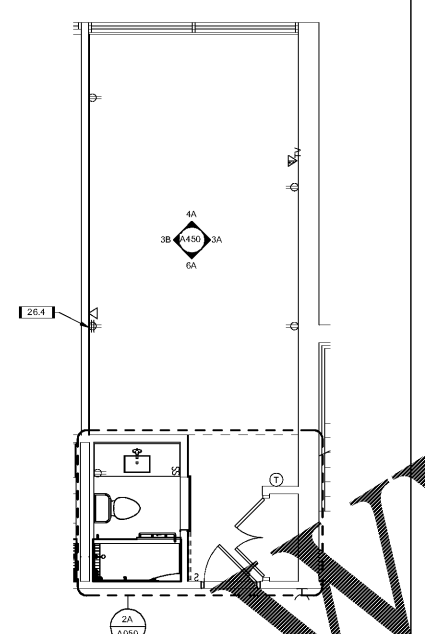
1. RELOCATE OUTLETS AS NEEDED TO COORDINATE WITH NEW FF&E LAYOUTS.
2. REFER TO FINISH NOTES ON A001 FOR MORE DETAILS.
3. STORE & PROTECT GUEST ROOM SAFES. INSTALL ONCE RENOVATION IS COMPLETE.
4. GC PROPERTY TO QUANTIFY HOW MANY WALLS ALREADY HAVE VWC REMOVED.
5. REFER TO NOTES - PATCH & REPAIR.
6. GC TO VERIFY PRESENCE OF ORANGE PEEL TEXTURE ON ALL WALL TO RECEIVE PAINT. ADD TEXTURE AS NECESSARY.
7. REFER TO GA/A440 FOR TYPICAL ACCESSIBLE GUEST BATHROOM CEILING AREA DEMO WORK.
8. REFER TO BA/A440 FOR TYPICAL ACCESSIBLE GUEST BATHROOM CEILING AREA NEW WORK.
9. REFER TO GA/A410 FOR TYPICAL GUEST BATHROOM CEILING AREA DEMO WORK.
10. REFER TO BA/A410 FOR TYPICAL GUEST BATHROOM CEILING AREA NEW WORK.
11. REFER TO A001 FOR PATCH AND REPAIR NOTES.
12. CARBON MONOXIDE DETECTORS ARE BATTERY OPERATED AND NOT TIED INTO THE FACP.
13. REPLACE ALL STAINED/DISCOLORED SMOKE DETECTORS.
14. PROVIDE NEW THRESHOLD T-1 AT CONNECTOR DOORS. REFER TO OVERALL PLANS FOR LOCATION OF ROOMS.

KEYNOTES

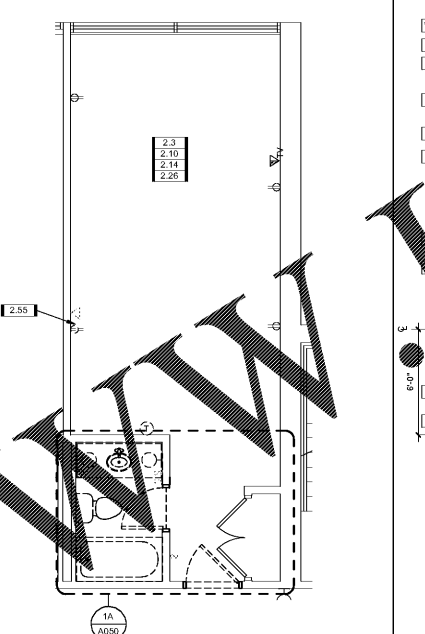
- 2.3 REMOVE CARPET/ CARPET PAD.
- 2.50 REMOVE VINYL WALL COVERING AND CORNER GUARDS (IF ANY). DO NOT ALLOW THE PAPER SURFACE OF THE DRYWALL TO BE TORN. PATCH AND REPAIR WALLS AS REQUIRED TO RECEIVE NEW FINISHES.
- 2.14 REMOVE WINDOW TREATMENT. REMOVE WINDOW HANGERS, VALANCE REPAIRS.
- 2.26 REMOVE CEILING TEXTURE. PREPARE TO RECEIVE NEW SMOOTH FINISH AREA NEW WORK.
- 2.35 REMOVE ELECTRICAL OUTLET, JUNCTION BOX, AND PROVIDE NEW ENLARGED JUNCTION BOX.
- 9.1 PROVIDE NEW WINDOW SETTING BED.
- 9.2 NEW CARPET, WITH SETTING BED.
- 9.3 PROVIDE NEW THRESHOLD.
- 9.4 NEW VINYL WALL COVERING.
- 9.5 PAINT WALLS.
- 9.7 PAINT WALLS. REFER TO FINISH PLAN. GC TO VERIFY PRESENCE OF ORANGE PEEL TEXTURE. PROVIDE NEW PEEL TEXTURE AS NECESSARY.
- 9.8 PAINT EXISTING WOOD VALANCE.
- 9.30 WINDOW HEIGHT. WINDOW GUARD ABOVE BASE.
- 9.32 COAT CEILING FOR SMOOTH SURFACE.
- 2.64 NEW RECEPTACLE. REFER TO ELECTRICAL DRAWINGS.



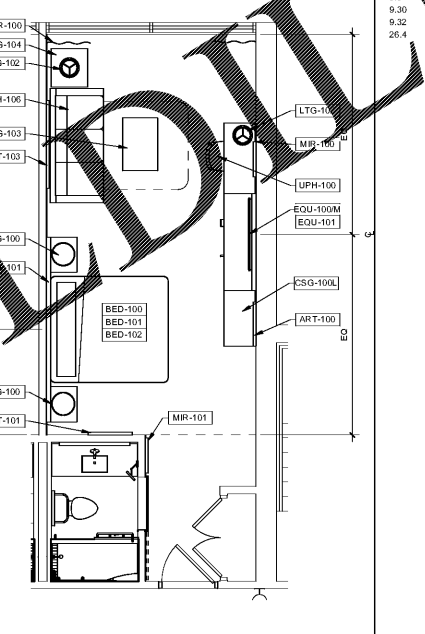
5C FINISH PLAN - K4  
SCALE: 1/4" = 1'-0" DRAWING REF: A115



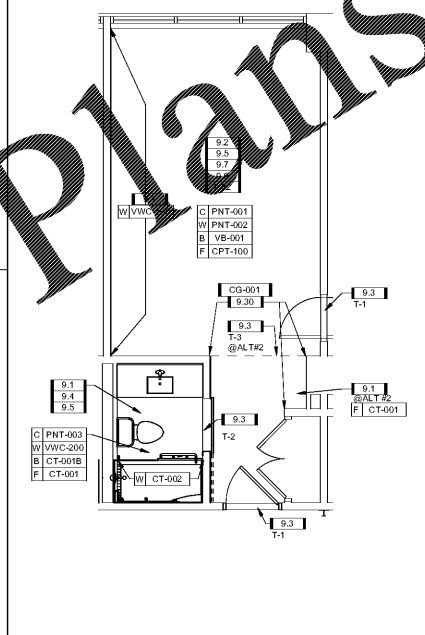
4C CONSTRUCTION PLAN - K4  
SCALE: 1/4" = 1'-0" DRAWING REF: A115



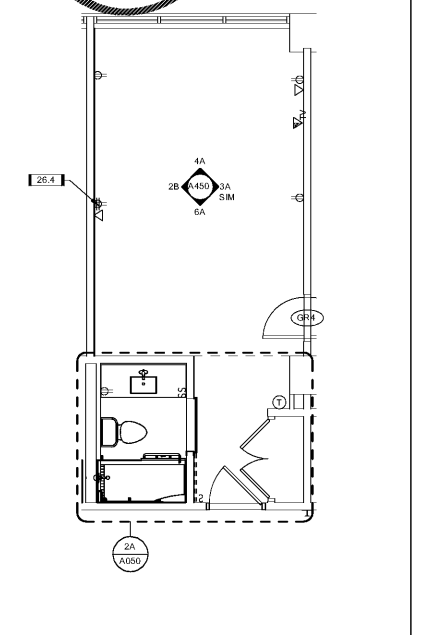
3C DEMOLITION PLAN - K4  
SCALE: 1/4" = 1'-0" DRAWING REF: A115



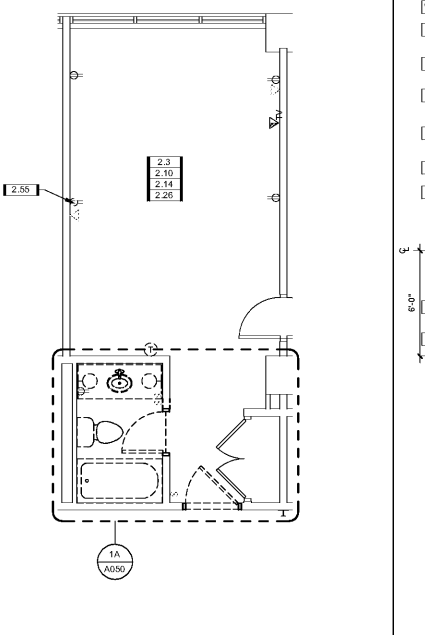
2C FF&E PLAN - K4  
SCALE: 1/4" = 1'-0" DRAWING REF: A115



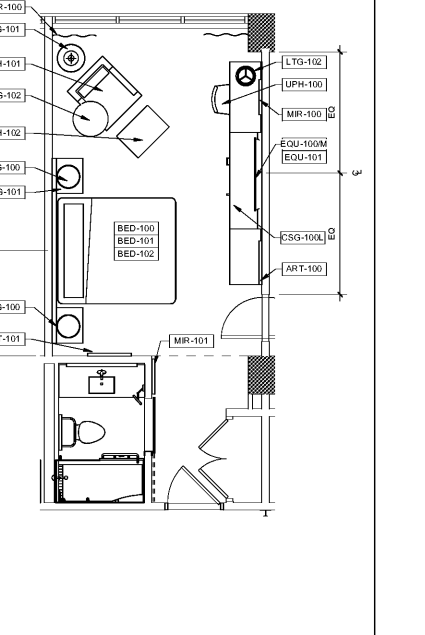
5A FINISH PLAN - K3  
SCALE: 1/4" = 1'-0" DRAWING REF: A113



4A CONSTRUCTION PLAN - K3  
SCALE: 1/4" = 1'-0" DRAWING REF: A113



3A DEMOLITION PLAN - K3  
SCALE: 1/4" = 1'-0" DRAWING REF: A113



2A FF&E PLAN - K3  
SCALE: 1/4" = 1'-0" DRAWING REF: A113



COPYRIGHT © 2017 BASKERVILL. USE OF THIS WORK IN WHOLE OR IN PART IS PROHIBITED WITHOUT EXPRESSED WRITTEN CONSENT.

ISSUE  
6/12/2017 -  
CONSTRUCTION SET

DRAWING TITLE  
ENLARGED  
GUESTROOM PLANS -  
KING CONNECTOR  
K3, AND K4

DRAWING NO.  
A411

Order Plans

WAAW

LDOLING

6/12/2017 11:27 AM