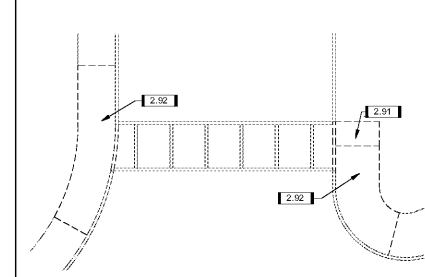
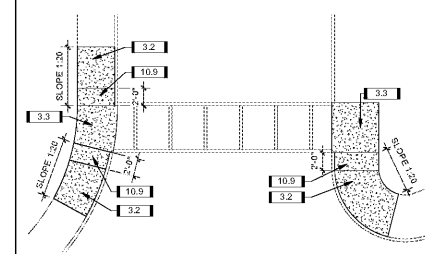
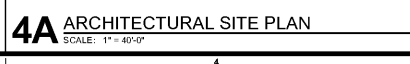
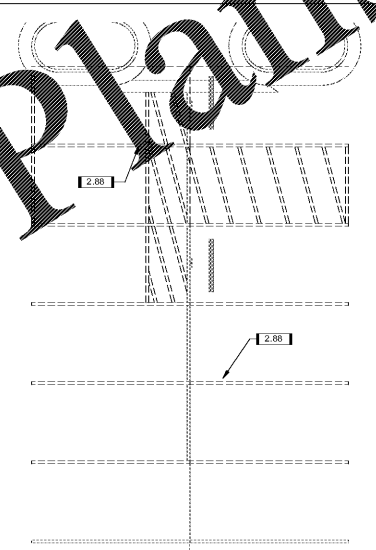
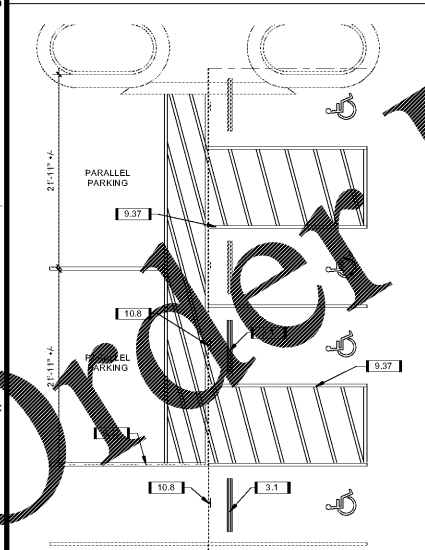
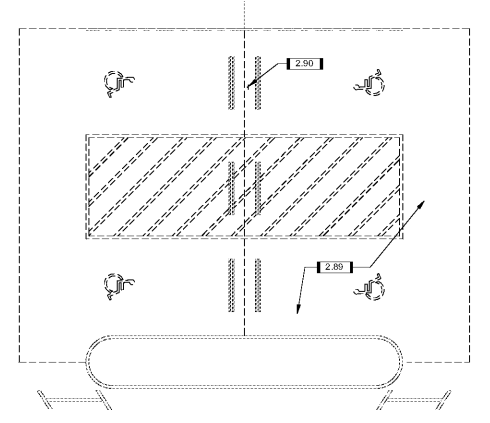
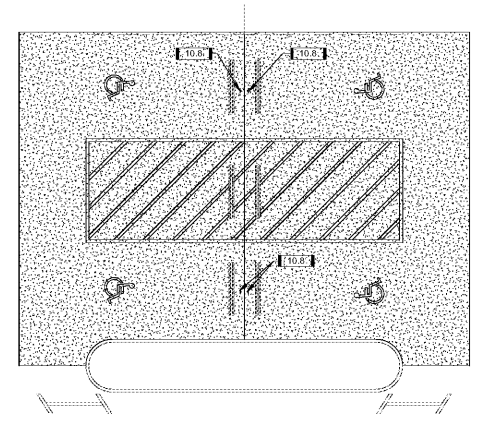
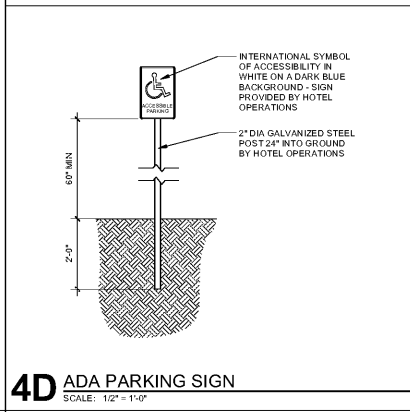
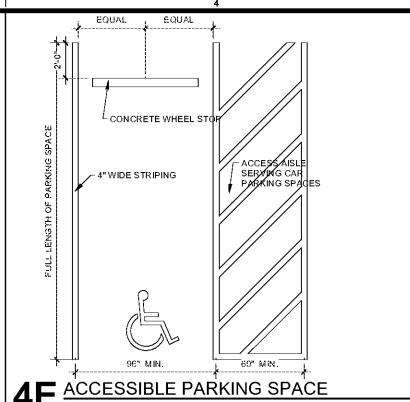


KEYNOTES

- 1.1 POWER WASH EXTERIOR TO REMOVE STAINS AND DISCOLORATION.
- 1.2 REPAIR AND REPAVE ALL DAMAGED AND CRACKED AREAS OF PARKING AND DRIVE ASLES.
- 1.3 REPLACE ALL CRACKED, BROKEN, OR DAMAGED SECTIONS OF CONCRETE SIDEWALK.
- 1.4 REPLACE ALL EXTERIOR BUILDING, PYLON, MONUMENT, AND DIRECTIONAL SIGNAGE. PREPARE TO RECEIVE NEW SIGNAGE PACKAGE PROVIDED BY OWNER.
- 2.88 REMOVE STRIPING.
- 2.89 REMOVE ASPHALT PAVING AND BASE.
- 2.90 REMOVE SIGNAGE.
- 2.91 REMOVE LANDSCAPING.
- 2.92 REMOVE CONCRETE SIDEWALK AND CURB.
- 3.1 PROVIDE CONCRETE WHEEL STOP.
- 3.2 PROVIDE NEW 4" CONCRETE SLAB SIDEWALK WITH BROOM FINISH ON 4" COMPACTED GRAVEL ON COMPACTED EARTH. SLOPE TO BE NO STEEPER THEN 1" PER 20' IN DIRECTION OF TRAVEL AND 1" PER 48" FOR CROSS SLOPE.
- 3.3 PROVIDE NEW 4" CONCRETE SLAB SIDEWALK WITH BROOM FINISH ON 4" COMPACTED GRAVEL ON COMPACTED EARTH. SLOPE TO BE NO STEEPER THEN 1" PER 48" IN EITHER DIRECTION.
- 3.4 PATCH EXISTING STAMPED CONCRETE SURFACES SO NO VERTICAL CHANGES IN HEIGHT GREATER THAN 1/4" VERTICAL.
- 9.37 PROVIDE NEW PARKING STRIPING.
- 10.8 PROVIDE PARKING SIGNAGE.
- 10.9 PROVIDE TRUNCATED DOMES.



Order Plans

WWW.DILine.com