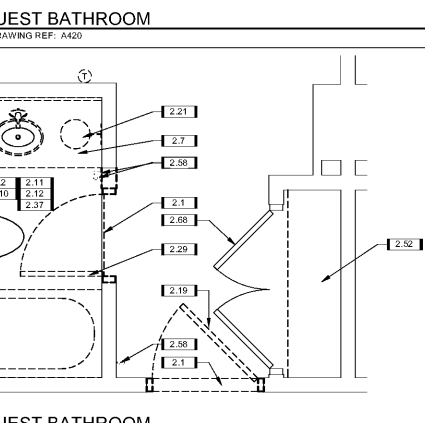
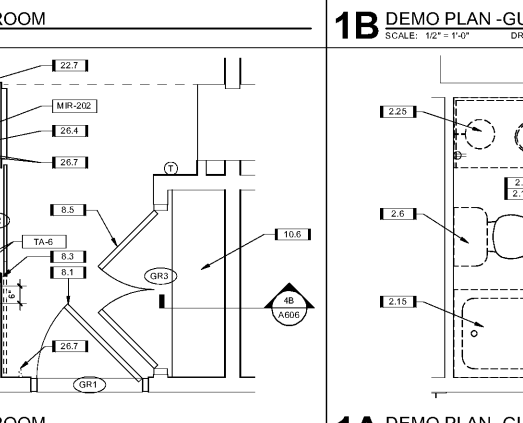
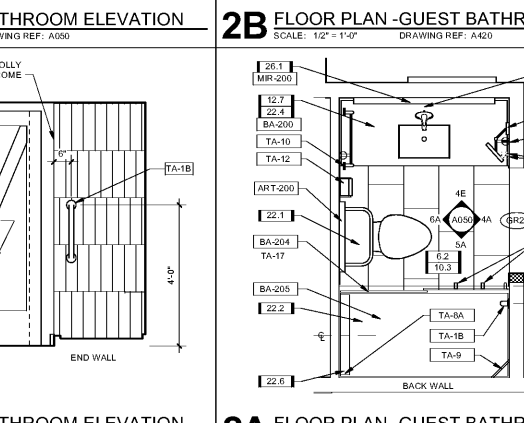
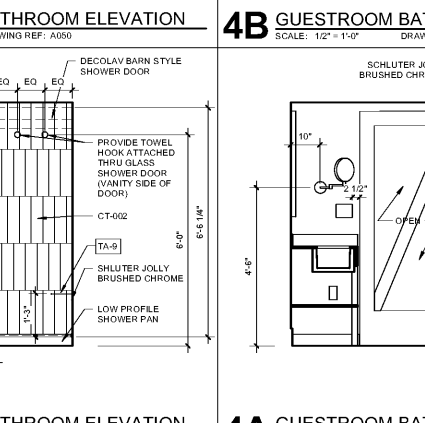
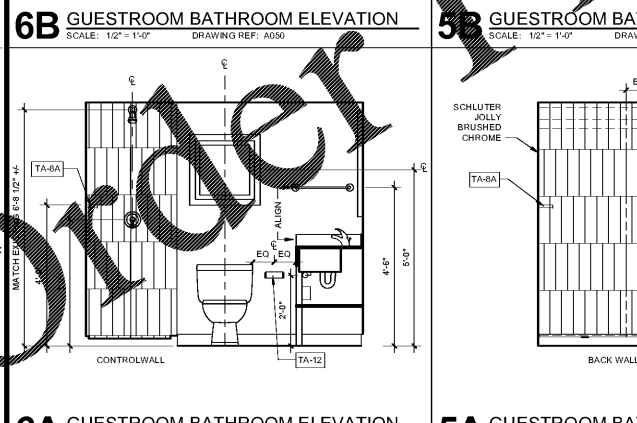
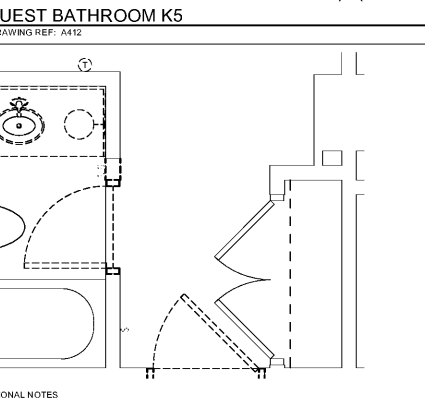
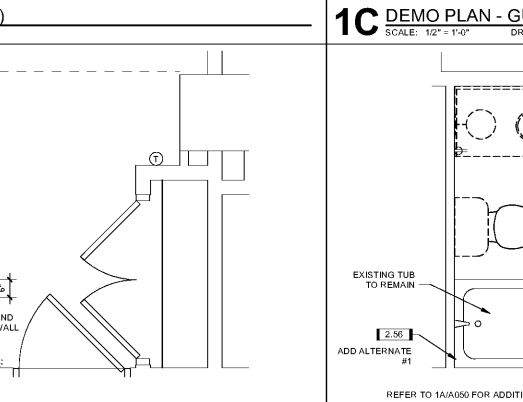
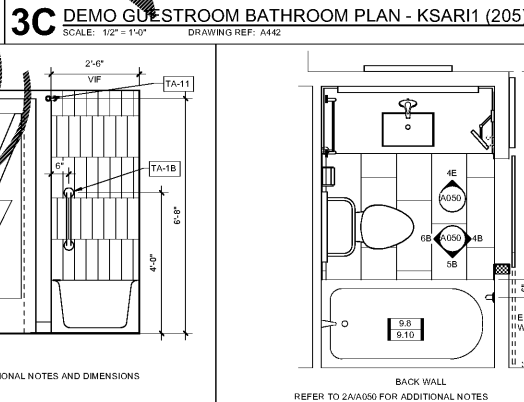
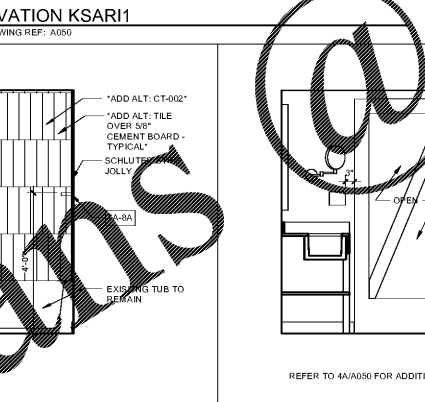
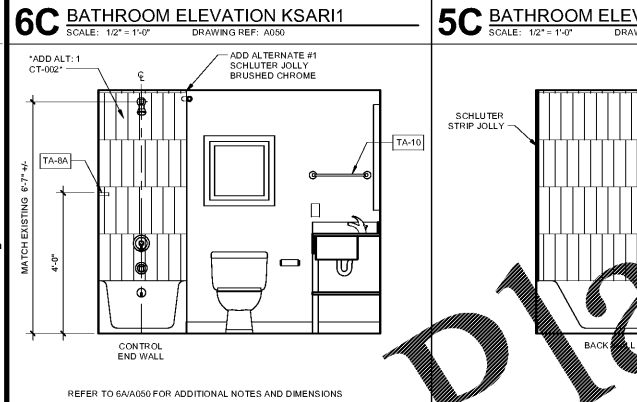
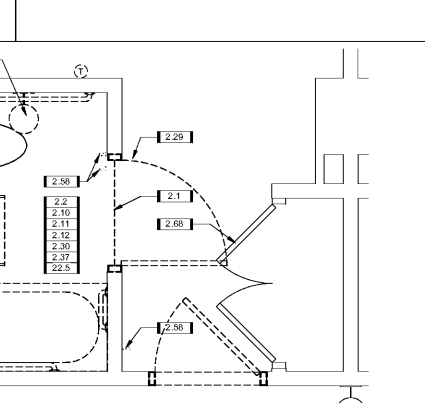
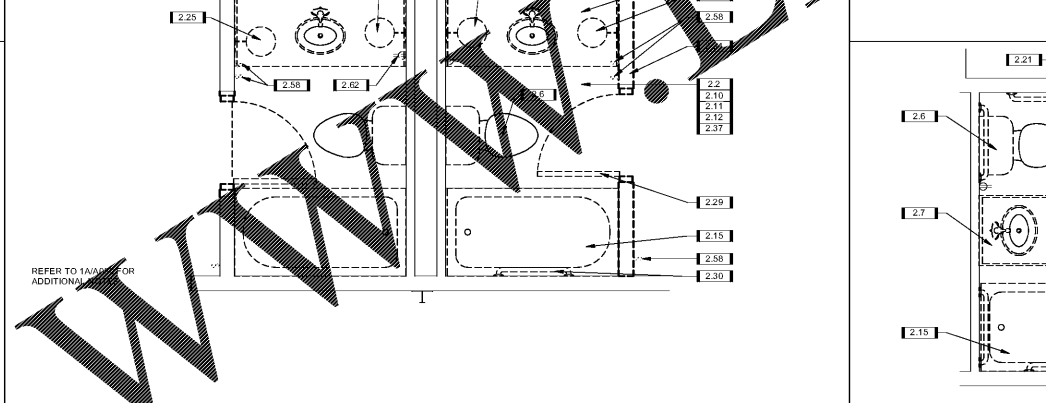
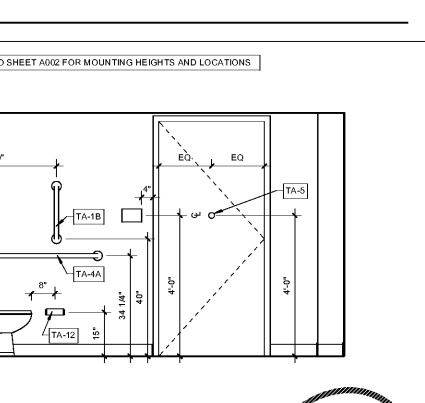
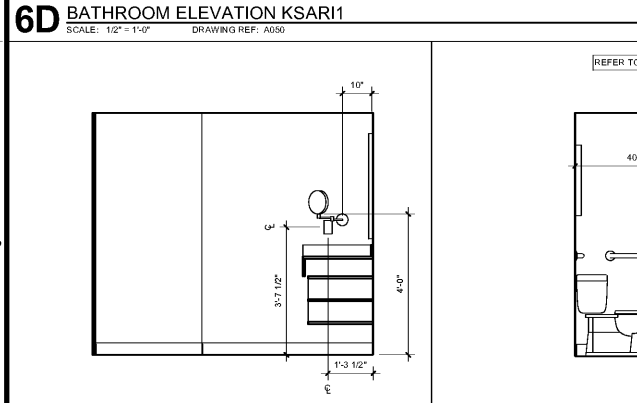
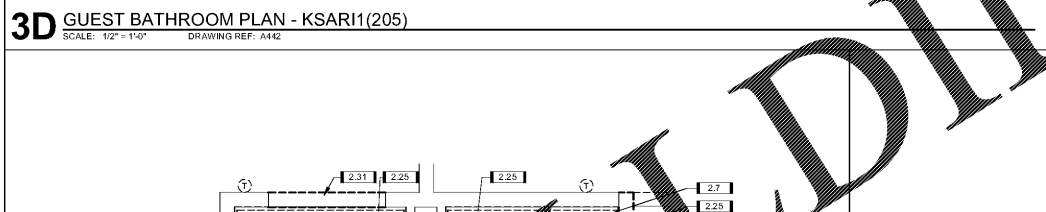
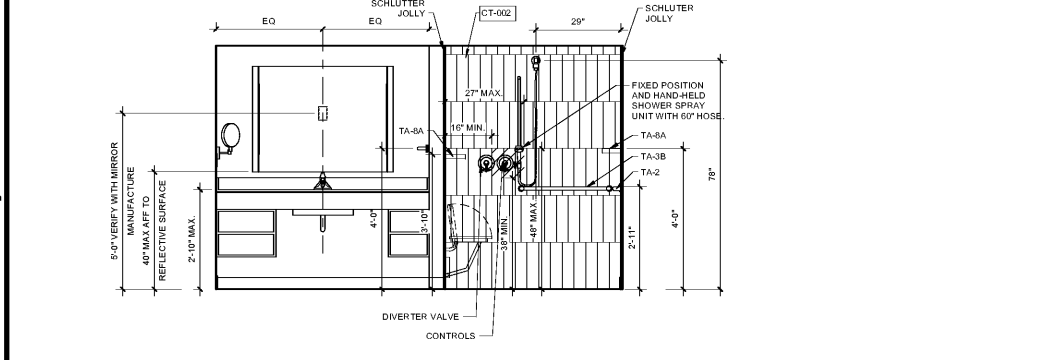
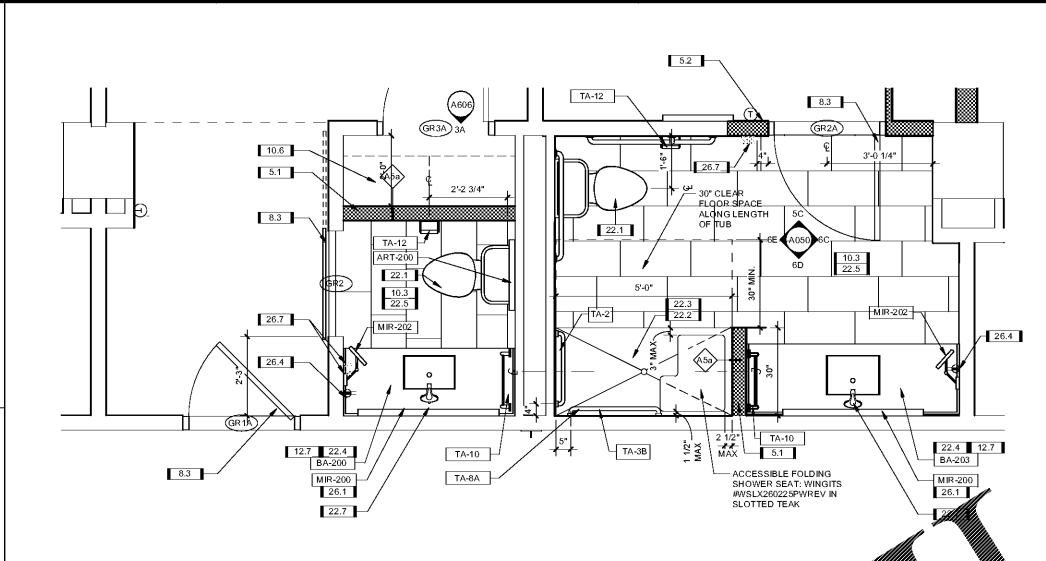
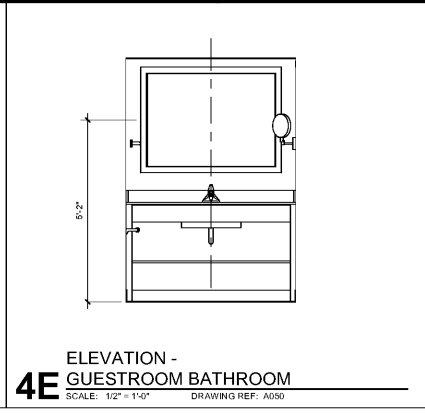
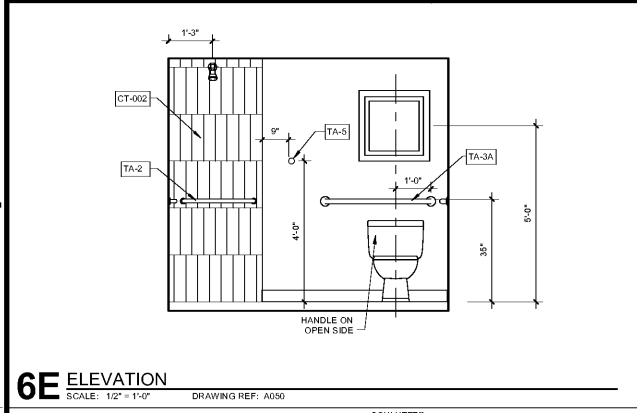


- KEYNOTES**
- 2.1 REMOVE DOOR THRESHOLD.
 - 2.2 REMOVE FLOOR TILE AND SETTING BED.
 - 2.6 REMOVE TOILET.
 - 2.7 REMOVE VANITY COUNTERTOP, SUPPORTS, WOOD MILLWORK, TOILET PAPER HOLDER, SINK, AND FAUCET.
 - 2.10 REMOVE VINYL WALL COVERING AND CORNER GUARDS (IF ANY). DO NOT ALLOW THE PAPER SURFACE OF THE DRYWALL TO BE TORN, PATCH AND REPAIR WALLS AS REQUIRED TO RECEIVE NEW FINISHES.
 - 2.11 REMOVE ARTWORK AND SECURITY CLIPS.
 - 2.12 REMOVE MIRRORS AND SECURITY CLIPS.
 - 2.15 REMOVE BATHTUB, SURROUND, AND FIXTURES.
 - 2.19 REMOVE DOOR & SALVAGE DOOR HARDWARE.
 - 2.21 REMOVE WALL SCIENCE, AND RELOCATE JUNCTION BOX PER RENOVATION DRAWINGS.
 - 2.25 REMOVE WALL SCIENCE, JUNCTION BOX AND WIRING.
 - 2.29 REMOVE DOOR, DOOR FRAME, AND SALVAGE DOOR HARDWARE.
 - 2.30 REMOVE ALL GRAB BARS.
 - 2.31 REMOVE PARTITION TO EXTENTS SHOWN.
 - 2.37 REMOVE BASE.
 - 2.52 REMOVE CLOSET SHELF AND ROD. RETAIN SAFE FOR REINSTALLATION.
 - 2.56 REMOVE TUB SURROUND AND FIXTURES.
 - 2.58 REMOVE LIGHT SWITCH AND JUNCTION BOX.
 - 2.62 REMOVE EXISTING RECEPTACLE. REFER TO ELECTRICAL DRAWINGS.
 - 2.68 REMOVE DOOR PULLS AND PREPARE DOOR TO RECEIVE NEW PULLS.
 - 5.1 NEW PARTITION.
 - 5.2 PROVIDE CONCEALED BLOCKING FOR TOILET ACCESS.
 - 6.2 PROVIDE NEW DOOR AND HARDWARE.
 - 6.3 PROVIDE NEW DOOR PULLS.
 - 6.5 PROVIDE NEW DOOR PULLS. A COLOR MATCHED NON-SLIP APPLICATION IS REQUIRED.
 - 6.10 *ALT. TILE SURROUND, CT-002.
 - 10.3 PROVIDE NEW TOILET. REFER TO PLUMBING DRAWINGS.
 - 10.6 PROVIDE NEW VANITY, CABINETS, SURROUNDS, AND PLUMBING FIXTURES. PROVIDE NEW PARTITION SHELF. REFER TO ELEVATIONS AND CONNECT TO EXISTING LINES.
 - 12.1 PROVIDE NEW TOILET. REFER TO PLUMBING DRAWINGS.
 - 12.2 PROVIDE NEW VANITY, CABINETS, SURROUNDS, AND PLUMBING FIXTURES. PROVIDE NEW PARTITION SHELF. REFER TO ELEVATIONS AND CONNECT TO EXISTING LINES.
 - 22.3 PROVIDE SHOWER SANITARY LINES. REFER TO PLUMBING DRAWINGS.
 - 22.4 PROVIDE NEW VANITY PLUMBING LINES.
 - 22.5 REWORK PLUMBING PER PLANS.
 - 22.6 RELOCATE DRAIN AS REQUIRED FOR SHOWER DRAIN LOCATION.
 - 26.1 PROVIDE NEW FAUCET. REFER TO PLUMBING DRAWINGS.
 - 26.4 PROVIDE NEW JUNCTION BOX FOR LIGHTED MIRROR, CONNECT TO EXISTING SWITCH.
 - 26.5 NEW RECEPTACLE. REFER TO ELECTRICAL DRAWINGS.
 - 26.7 PROVIDE NEW WALL SWITCH AND JUNCTION BOX.



ISSUE
6/12/2017 -
CONSTRUCTION SET

DRAWING TITLE
ENLARGED GUEST
BATHROOM PLANS
AND ELEVATIONS

DRAWING NO.
A050

Order Plans