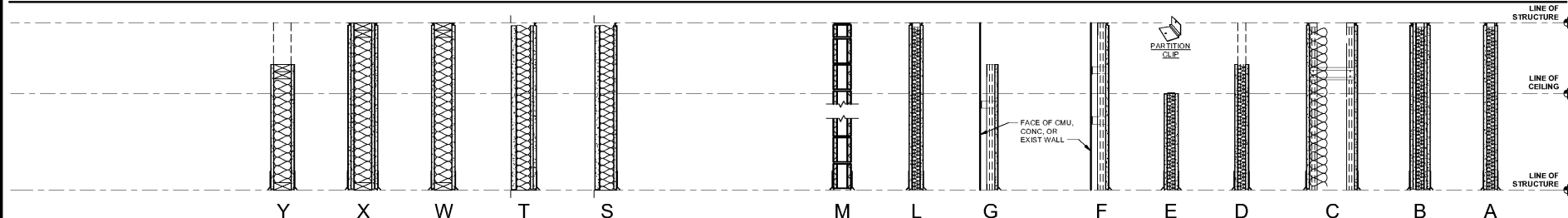
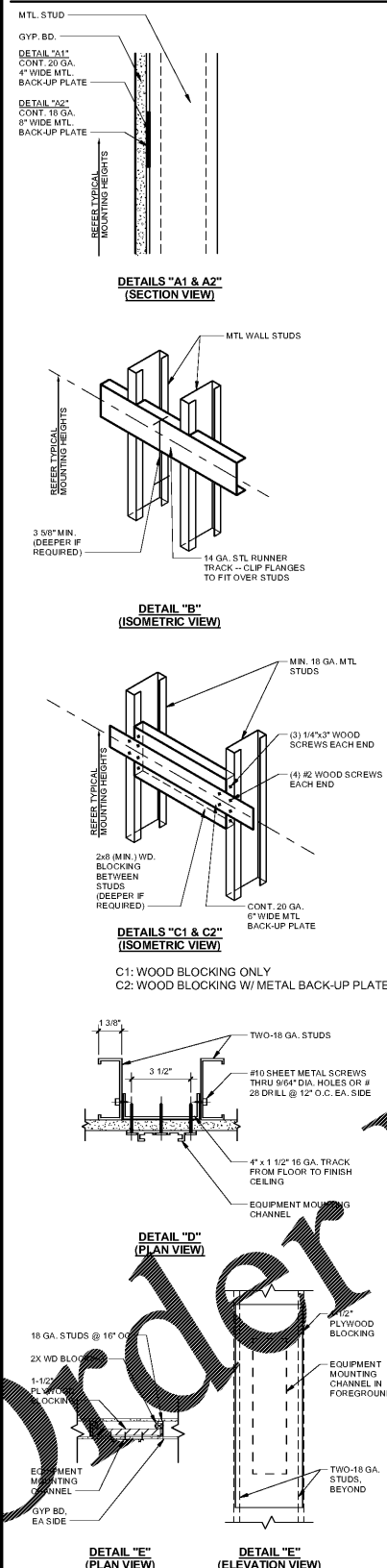


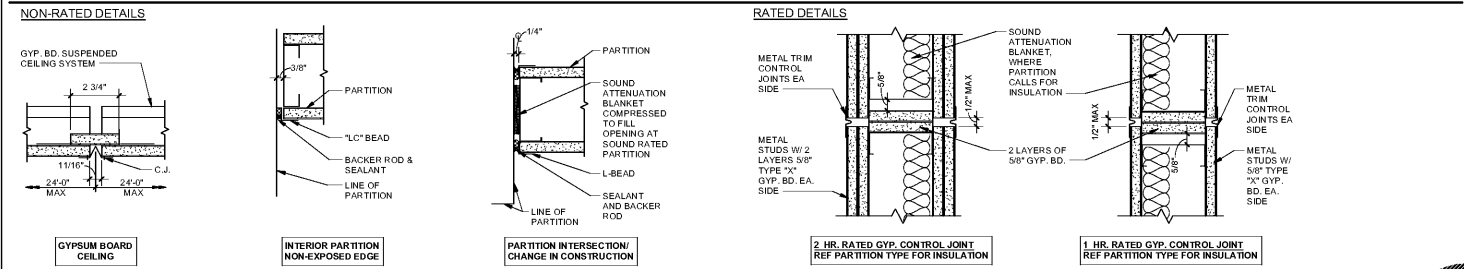
STANDARDS - PARTITION DESIGNATION DIAGRAMS



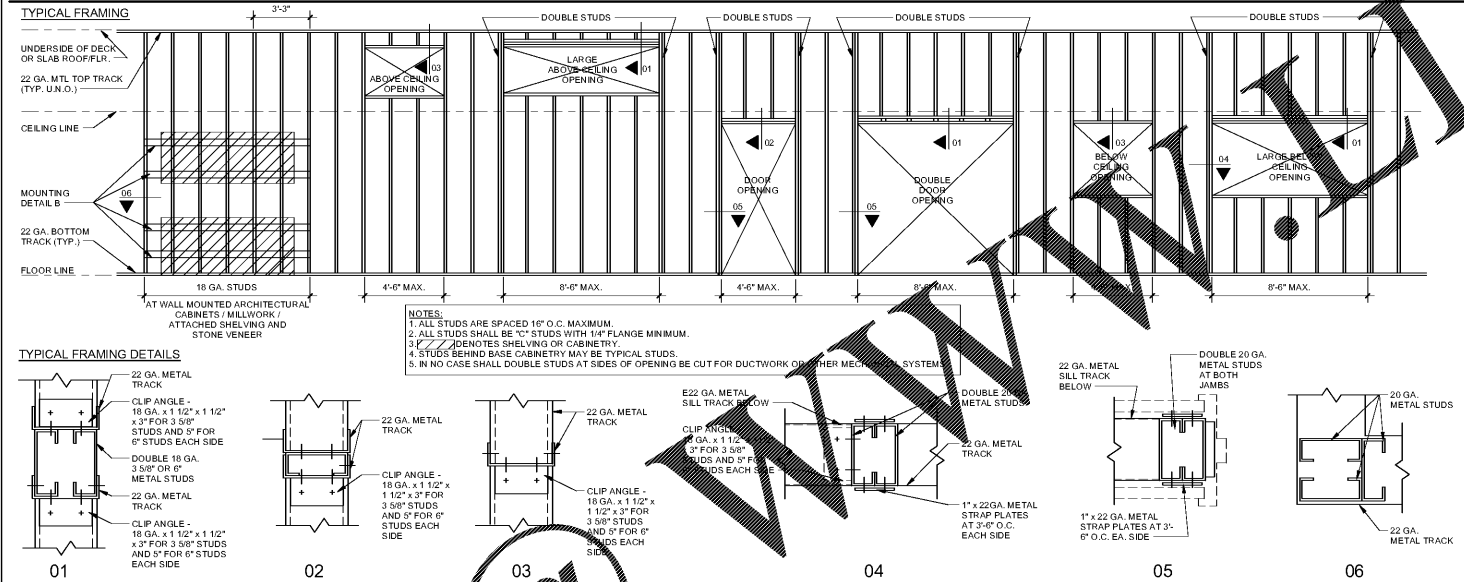
STANDARDS - BLOCKING AND MOUNTING DIAGRAMS



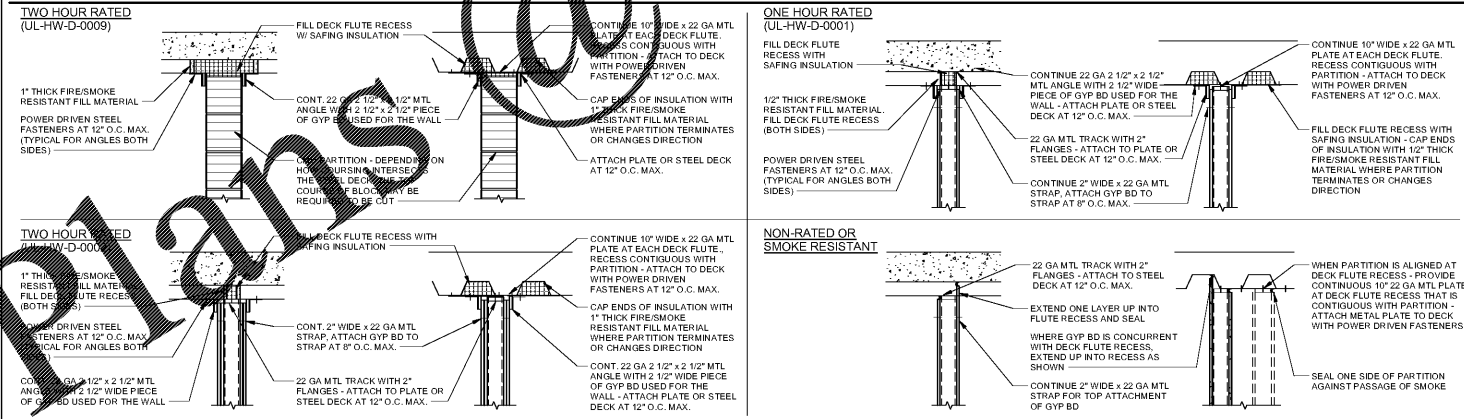
STANDARDS - CONTROL JOINT DETAILS



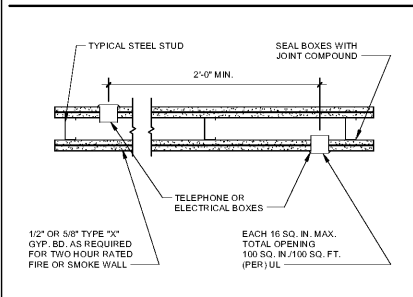
STANDARDS - TYPICAL NON-LOAD-BEARING PARTITION FRAMING AND DETAILS



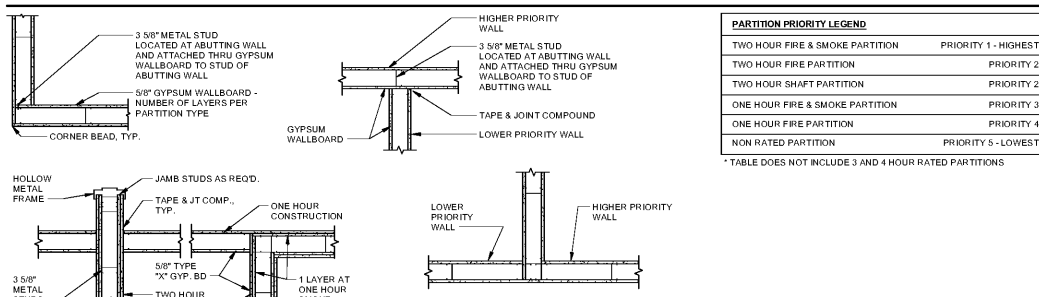
STANDARDS - PARTITION HEAD DETAILS



STANDARDS - ADJACENT ELECTRICAL BOXES



STANDARDS - RATED WALL INTERSECTIONS



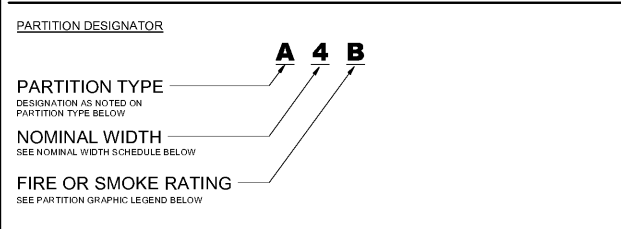
SCHEDULE - PARTITION TYPE

TYPE	FRAMING / CORE SIZE	CONSTRUCTION DATA		FIRE PARTITIONS		
		OVERALL PARTITION WIDTH	RATING	UL DESIGNATION	STC RATING	
A - MTL STUD; DECK TO DECK; (1) LAYER GYP BD EA SIDE						
A4a	3 5/8"	4 7/8"	0 HR			
A5a	3 5/8"	4 7/8"	0 HR			
A6a	6"	7 1/4"	0 HR			
F2a	3 5/8"	2 1/4"	0 HR			
U - UNKNOWN PARTITION COMPOSITION						
U2u	UNKNOWN	2"	UNKNOWN			
U3u	UNKNOWN	3"	UNKNOWN			
U4u	UNKNOWN	4"	UNKNOWN			
U5u	UNKNOWN	5"	UNKNOWN			
U6u	UNKNOWN	6"	UNKNOWN			
U7u	UNKNOWN	8"	UNKNOWN			
U10u	UNKNOWN	10"	UNKNOWN			
U12u	UNKNOWN	12"	UNKNOWN			

NOTES - PARTITION TYPE

- CONSTRUCTION OF FIRE RATED PARTITIONS SHALL BE IN ACCORDANCE WITH THE TEST RESULTS SIGNED ARCHITECTURAL DETAILS MAY NOT INDICATE EVERY REQUIRED COMPONENT.
- PROVIDE CONTROL JOINTS IN ALL GYPSUM WALLBOARD PARTITIONS AT 30'-0" MAXIMUM INTERVALS INDICATED ON FLOOR PLANS. ONE SIDE OF GYPSUM WALLBOARD MAY BE INSTALLED WHEN THE OTHER SIDE IS UNFINISHED TENANT SPACE EXISTS ON ONE SIDE, EXCEPT WHERE REQUIRED BY FIRE RATED PARTITION TYPE.
- ALL STUD SPACING SHALL BE 16" O.C. UNLESS OTHERWISE NOTED. PROVIDE STUDS AT 16" O.C. UNLESS OTHERWISE NOTED.
- PARTITION SYMBOLS INDICATED ON FLOOR PLANS SHALL INDICATE THE PARTITION TYPE AND THE LENGTH OF WALL INDICATED UNLESS INTERRUPTED BY ANOTHER SYMBOL.
- UTILIZE EXISTING WALLS WITH SLOTTED HOLES AT TOP OF PARTITION WHERE ATTACHING TO STRUCTURE ABOVE TO ALLOW FOR DEFLECT.
- PROVIDE FIRE BLOCKING FOR ALL PARTITIONS OPEN TO TENANT SPACE. UTILIZE GYPSUM WALLBOARD WITH STEEL FRAMING FOR SPACE & TOP OF PARTITION FOR SOLID STEEL OR INSULATION TYPE FIRE BLOCKING, UNLESS OTHERWISE INDICATED. PROVIDE METAL CLIPS WHERE REQUIRED TO SUPPORT INSULATION TYPE FIRE BLOCKING.
- SUBSTITUTE MOISTURE RESISTANT BOARD (PAPER BOARD) FOR WET LOCATIONS (TOILETS, LOCKER ROOMS) OR WHERE SCHEDULE TO RECEIVE CEILING TILE OR OTHER. FOR OTHER WET APPLICATIONS SUCH AS SHOWERS, USE CEMENTITIOUS TILE BACKER BOARD.
- GYPSUM BOARD SHALL BE INSTALLED AND HELD OFF 1/2" FROM FLOOR SURFACE, UNLESS OTHERWISE INDICATED. PROVIDE CONTINUOUS SEALANT AT PERIMETER OF GYPSUM BOARD PANELS AT SMOKE RATED, STC 10 OR FLOOR ASSEMBLY.
- PROVIDE MARKINGS ABOVE SUSPENDED CEILING AND IN CONCEALED SPACES TO IDENTIFY FIRE RATED PARTITIONS. SUCH MARKINGS SHALL BE MINIMUM LETTERS AND SHALL STATE "FIRE RATED ASSEMBLY" AT HORIZONTAL INTERVALS OF 8 FT.
- MINIMUM STUD PARTITION SCHEDULE TO SUPPORT WALL MOUNTED CASEWORK OR EQUIPMENT SHALL HAVE 33 MIL (20 GA) MIN STEEL STUDS FOR THE ENTIRE LENGTH OF THE CASEWORK.
- PROVIDE WOOD OR METAL BLOCKING FOR ALL WALL MOUNTED EQUIPMENT, INCLUDING CASEWORK, GRAB BARS, SHELVING, HANGERS, TOILET PARTITIONS, ETC. REF TIP DETAILS FOR BLOCKING.
- PROVIDE DOUBLED 33 MIL (20 GA) MIN STUDS AROUND ALL DOOR, WINDOW OR CASED OPENINGS.
- GYPSUM BOARD FOR FIRE RATED PARTITIONS SHALL BE "TYPE X", UNLESS OTHERWISE REQUIRED BY RATING DESIGN SIGNIFICATION.
- REF ENLARGED DETAILS AT TOPS OF FIRE RATED PARTITION HEAD DETAILS.
- ORIENTATION OF SHUNT WALL ASSEMBLY MAY VARY FROM THAT SHOWN ON DRAWINGS AND MAY BE DETERMINED ON SITE AS REQUIRED AFTER CONSIDERATION IS MADE FOR STRUCTURAL OBSTRUCTIONS THAT PREVENT THE PROPER FASTENING OF GYPSUM BOARD.
- WHERE INSULATION IS INDICATED, PROVIDE SOUND ATTENUATION BLANKETS (THERMAPRIB OR EQUAL), THERMAL FIBERGLASS INSULATION NOT ACCEPTABLE.
- STC RATINGS ARE SHOWN FOR KNOWN TEST ASSEMBLY FOR THE STUD SIZE INDICATED. FOR OTHER STUD SIZES COMPLY WITH REQUIREMENTS OF CLOSEST SIMILAR ASSEMBLY.
- ALL PENETRATIONS IN FULL HEIGHT PARTITIONS SHALL BE SMOKE RESISTIVE AND FIRE STOPPED REGARDLESS OF THE PARTITION RATING.
- PARTIAL HEIGHT INSULATED PARTITIONS SHALL RECEIVE 1-LAYER OF CONTINUOUS 3" SOUND ATTENUATION BLANKETS ON TOP OF CEILING, EXTENDING 4'-0" FROM EACH SIDE OF PARTITION FACE, UNLESS OTHERWISE INDICATED.
- FIRE RATED PARTITIONS SHALL RECEIVE LISTED AND LABELED FIRE-RATED SEALANT SYSTEM (EACH SIDE) AT CONNECTION WITH UNDERSIDE OF STRUCTURAL DECK OR FIRE-PROOFED CEILING AND WITH FLOOR STRUCTURE.
- ALL INTERIOR PARTITIONS SHALL RECEIVE BASE FINISH AS SCHEDULED UNO.
- ALL FULL-HEIGHT PARTITIONS TO RECEIVE CONTINUOUS SEALANT AT GAP BETWEEN GYP BD & STRUCTURE ABOVE, UNO.
- CHASE WALL PARTITIONS SHALL RECEIVE 2 1/2" MTL STUD BRACES OR GYP GUSSET CONNECTING STUDS SPACED VERTICALLY 4'-0" O.C. UNO.
- PARTIAL HEIGHT MTL STUD PARTITIONS AT OR ABOVE CEILING HEIGHT SHALL RECEIVE CONTINUOUS STUD TOP TRACK W/ 2 1/2" 33 MIL (20 GA) MTL STUD BRACES AT 6'-0" O.C. MAX. RATHER THAN SIDES, UNO.
- ALL CEILING-HEIGHT MTL STUD PARTITIONS SHALL RECEIVE L-BEAD AT GYP BD CEILING CONNECTION, UNO.
- ALL CEILING-HEIGHT MTL STUD PARTITIONS SHALL RECEIVE PARTITION CLIP FOR ATTACHMENT W/ DIAGONAL BRACING ABOVE CEILING, UNO. PROVIDE DIAGONAL BRACING FOR ACOUSTICAL CEILING PANELS.
- ALL LEAD-LINED GYP BD TO EXTEND 7'-0" AFF UNO.
- ALL FULL-HEIGHT MASONRY PARTITIONS TO RECEIVE COMPRESSIBLE FILLER AT CONNECTION WITH STRUCTURE ABOVE, UNO.
- ALL MASONRY PARTITIONS TO RECEIVE HORIZONTAL MASONRY REINFORCEMENT AT 16" VERTICALLY, UNO.
- ALL PARTIAL HEIGHT BELOW-CEILING PARTITIONS SHALL RECEIVE 3"x3"x10" STEEL ANGLE POSTS WELDED TO 3/4"x3/4"x10" STEEL ANCHOR PLATE AND 3/4"x3/4"x10" STEEL ANCHOR PLATE TO FLOOR STRUCTURE W/ (3) 3/8" DIA ANCHOR BOLTS.
- ALL PARTIAL HEIGHT BELOW-CEILING PARTITIONS SHALL RECEIVE GYP BD CAP & WOOD BLOCKING ATTACHED TO STEEL TOP ANGLE, UNLESS OTHER TRIM IS INDICATED.
- ALL SHUNT WALL PARTITIONS SHALL RECEIVE J-STUD RUNNER (24 GA MIN) ATTACHED TO FLOOR STRUCTURE AND G-MTL STUDS SPACED 24" O.C.
- WOOD STUD PARTITIONS SUPPORTED ON FLOORS W/ GYPSUM TOPPING SHALL HAVE DOUBLE SILL PLATES.
- SECURE SILL PLATES ON WOOD JOISTS OR TRUSS-SUPPORTED FLOORS THROUGH SUBFLOOR AND INTO STRUCTURAL SUPPORT.

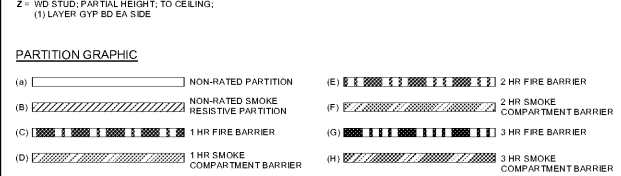
LEGEND - PARTITION TYPE DESIGNATIONS



PARTITION TYPE

PARTITION TYPE	1" WIDTH RANGE	METAL STUD	WOOD STUD	CMU
A = MTL STUD; DECK TO DECK; (1) LAYER GYP BD EA SIDE	0 - 59"	8	N/A	N/A
B = MTL STUD; DECK TO DECK; (2) LAYERS GYP BD EA SIDE	1' - 1 59"	8	7/8"	N/A
C = MTL STUD CHASE WALL; DECK TO DECK; (1) LAYER GYP BD EA SIDE	2' - 2 59"	8	1 5/8"	N/A
D = MTL STUD; PARTIAL HEIGHT; 6" ABOVE CEILING; (1) LAYER GYP BD EA SIDE	3' - 3 59"	8	2 1/2"	N/A
E = MTL STUD; PARTIAL HEIGHT; TO CEILING; (1) LAYER GYP BD ON FINISH FACE	4' - 4 59"	8	3 5/8"	3 5/8"
F = MTL STUD; PARTIAL HEIGHT; TO CEILING; (1) LAYER GYP BD ON FINISH FACE	5' - 5 59"	8	4"	N/A
G = MTL STUD; PARTIAL HEIGHT; TO CEILING; (1) LAYER GYP BD ON FINISH FACE	6' - 6 59"	8	4"	N/A
H = MTL STUD; PARTIAL HEIGHT; TO CEILING; (1) LAYER GYP BD ON FINISH FACE	7' - 7 59"	8	N/A	N/A
I = MTL STUD; PARTIAL HEIGHT; TO CEILING; (1) LAYER GYP BD ON FINISH FACE	8' - 8 59"	8	N/A	N/A
J = MTL STUD; PARTIAL HEIGHT; TO CEILING; (1) LAYER GYP BD ON FINISH FACE	9' - 9 59"	8	N/A	N/A
K = MTL STUD; PARTIAL HEIGHT; TO CEILING; (1) LAYER GYP BD ON FINISH FACE	10' - 10 59"	8	N/A	N/A
L = MTL STUD; DECK TO DECK; (1) LAYER GYP BD EA SIDE	11' - 11 59"	8	N/A	N/A
M = CMU; DECK TO DECK; (1) LAYER GYP BD EA SIDE	12' - 12 59"	8	N/A	11 5/8"

PARTITION GRAPHIC



Baskerville
 PROJECT: 2.160425.0
DOUBLETREE BIRMINGHAM ALABAMA CONVERSION
 8 PERIMTER PARK SOUTH BIRMINGHAM, AL 35243

PROJECT: 2.160425.0
DOUBLETREE BIRMINGHAM ALABAMA CONVERSION
 8 PERIMTER PARK SOUTH BIRMINGHAM, AL 35243

STATE OF ALABAMA
 REGISTERED ARCHITECT
 1992
 06/13/2017

ISSUE: 6/12/2017 - CONSTRUCTION SET

DRAWING TITLE: PARTITION TYPES, DETAILS, AND STANDARDS

DRAWING NO: A020