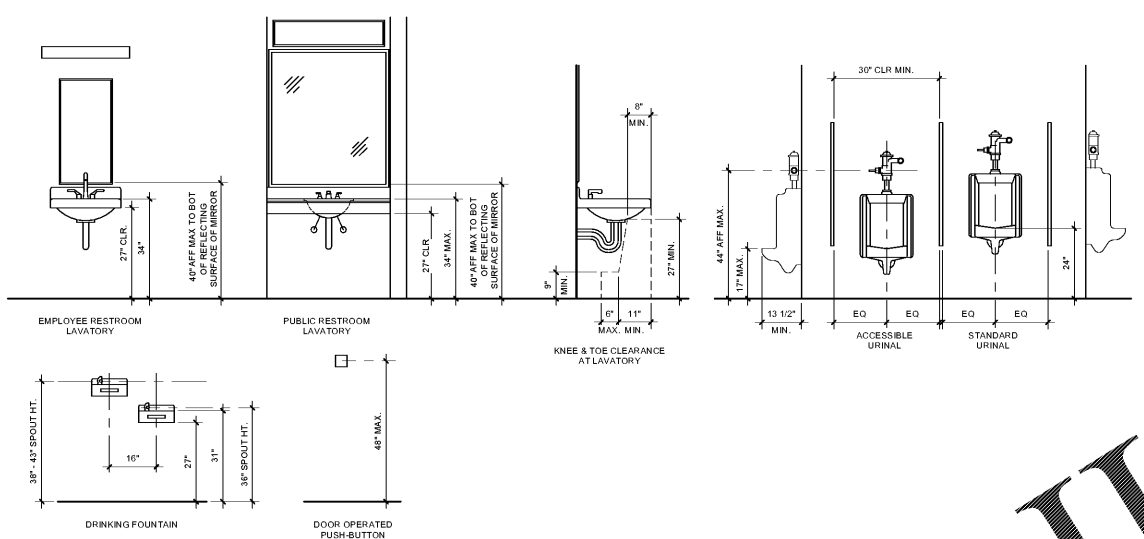


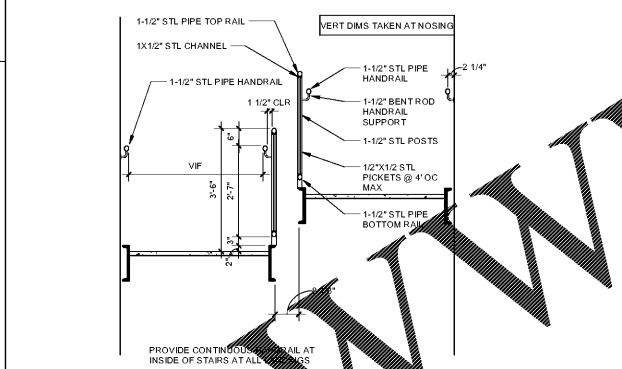


STANDARDS - TOILET FIXTURE MOUNTING DIAGRAMS

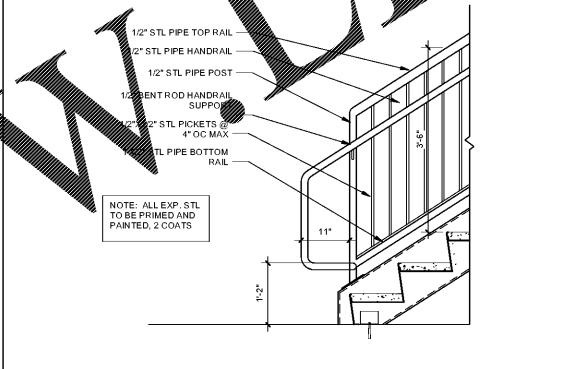


EMPLOYEE RESTROOM LAVATORY PUBLIC RESTROOM LAVATORY ACCESSIBLE URINAL STANDARD URINAL

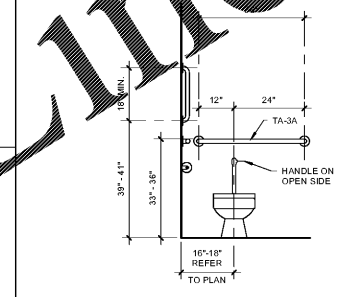
DRINKING FOUNTAIN DOOR OPERATED PUSH-BUTTON



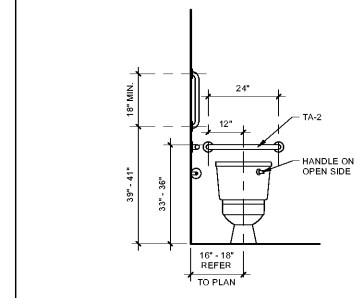
4C DETAIL - STAIR STRINGERS @ RAILS
 SCALE: 1/2\"/>



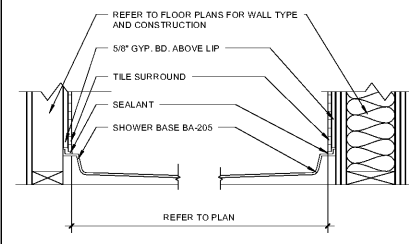
3C DETAIL - STAIR @ BOTTOM LANDING
 SCALE: 3/4\"/>



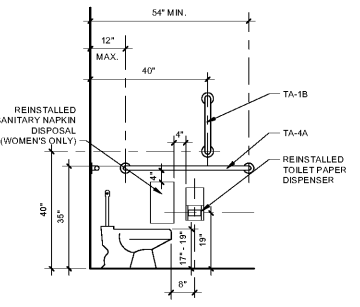
1D PUBLIC ACCESSIBLE WC ELEV.
 SCALE: 1/2\"/>



1C GUESTROOM ACCESSIBLE WC ELEV.
 SCALE: 1/2\"/>



2B DETAIL - SHOWER PAN
 SCALE: 1 1/2\"/>



1B PUBLIC ACCESSIBLE WC ELEV.
 SCALE: 1/2\"/>

6E DETAIL - STAIR STRINGERS @ RAILS
 SCALE: 3/4\"/>

5E DETAIL - STAIR @ BOTTOM LANDING
 SCALE: 3/4\"/>

TOILET ACCESSORIES SCHEDULE

TOILET ACCESSORY	TA-1	TA-1B	TA-2	TA-3	TA-3A	TA-3B	TA-4	TA-4A	TA-5	TA-6	TA-7	TA-7A	TA-8A	TA-8	TA-10	TA-11	TA-12	TA-13	TA-14	TA-15	TA-16	TA-17
ILLUSTRATION																						
ACCESSORY ITEM	GRAB BAR - 12"	GRAB BAR - 18"	GRAB BAR - 18"	GRAB BAR - 24"	GRAB BAR - 36"	GRAB BAR - 36"	GRAB BAR - 30"	GRAB BAR - 42"	GRAB BAR - 42"	HOOK	HOOK	-	CORNER SOAP DISH	FOOT REST	16" TOWEL BAR	SHOWER CURTAIN ROD	TOILET PAPER HOLDER	TOILET PAPER HOLDER	16" DOUBLE TOWEL BAY	PAPER TOWEL HOLDER / WASTE RECEPTACLE	SEMI-RECESSED NAPKIN/TAMPON VENDOR	SHOWER ENCLOSURE
MANUFACTURER	WINGITS	BOBRICK	WINGITS	WINGITS	BOBRICK	WINGITS	WINGITS	BOBRICK	WINGITS	WINGITS	-	-	WINGITS	WINGITS	KOHLER	WINGITS	KOHLER	KOHLER	WINGITS	BOBRICK	BOBRICK	DECOLAV
MODEL NUMBER	WGBMEPS12	B-6806x18	WGBMEPS18	WGBMEPS24	B-6806x36	WGBMEPS36	WGBMEPS30	B-6806x42	WGBMEPS42	MODERN ELEGANCE VMEDRHPS	MODERN ELEGANCE VMEDRHGMP	-	ROUNDED BASKET CHROME FOOT REST BAR MODEL #WCONCSPS	ARCHER K-11050 POLISHED CHROME	CONTOUR OVAL WCONCSPREN	ARCHER K-11054 POLISHED CHROME	ARCHER K-11056 MODERN ELEGANCE MODEL WMETRV1816PS	TRIMLINE B-3803	TRIMLINE B-3706	TRIMLINE B-3706	BA-204	

NOTE: REFER TO EQUIPMENT PLAN(S), INTERIOR ELEVATIONS, ETC. FOR LOCATION AND QUANTITIES OF ITEMS. CONFIRM WITH OWNER ALL REQUIREMENTS FOR OWNER FURNISHED, CONTRACTOR INSTALLED (OFC) ITEMS.
 PROVIDE CONCEALED FIRE RETARDANT TREATED WOOD BLOCKING AT ALL ACCESSORIES

Order Plans @ WWW.LDILine.com