



BARRY BYRD ARCHITECTURE

P.O. Box 5482
Knoxville, TN 37928
(865) 687-6500

Seal:



ES&G
ENGINEERING SERVICES GROUP, INC.
CONSULTING ENGINEERS
900 EAST HILL AVE. SUITE 350
KNOXVILLE, TENNESSEE 37915
(865) 522-0595
PROJECT NO. 15688

THIS DRAWING IS THE PROPERTY OF BARRY BYRD ARCHITECTURE. ANY USE OR REPRODUCTION IN PART OR IN WHOLE IS PROHIBITED WITHOUT THE EXPRESSED WRITTEN CONSENT OF BARRY BYRD ARCHITECTURE.

Project Name:
GERMANTOWN2

Drawn By:
MWE

Revisions:

No. DATE DESCRIPTION

Project Title:

RETAIL SPACE

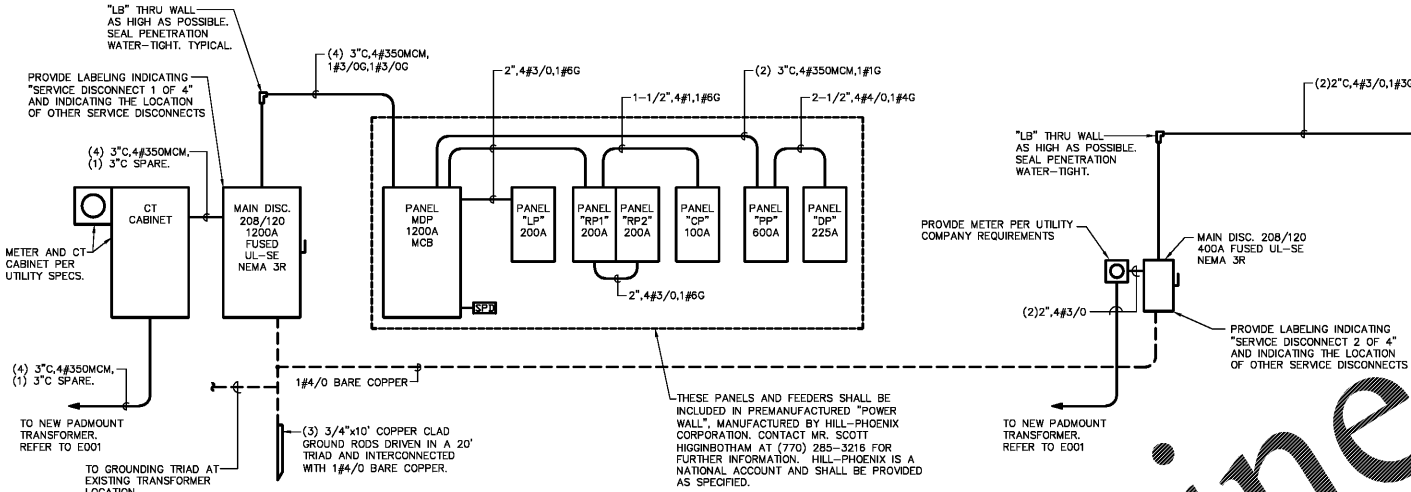
Poplar Avenue &
Exeter Road

Location:
Germantown, TN

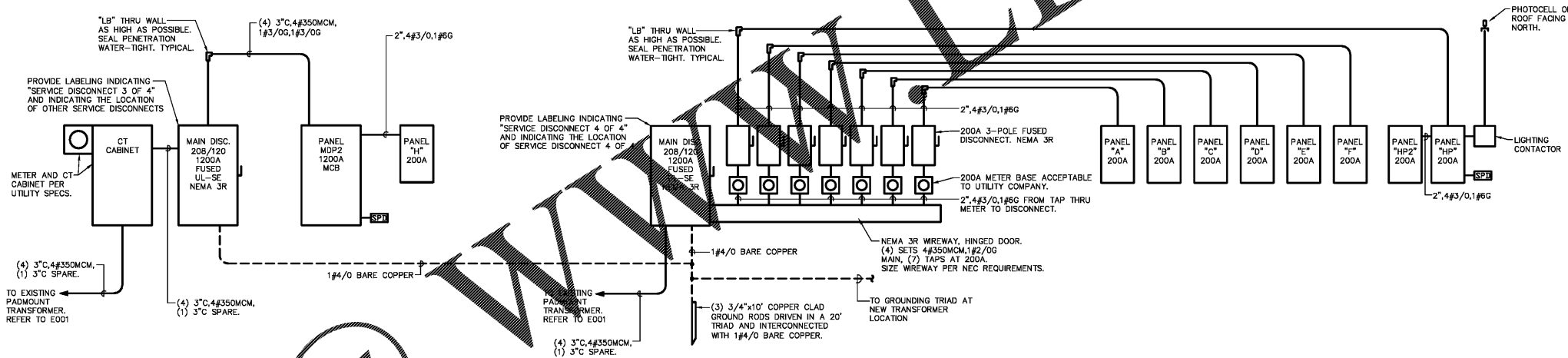
Sheet Contents:
Feeder Diagram & Panelboard Schedules

Date:
November 11, 2016

Sheet Number:
E-212



1 NEW TRANSFORMER FEEDER DIAGRAM
E-212 NO SCALE



2 EXISTING TRANSFORMER FEEDER DIAGRAM
E-212 NO SCALE

PANELBOARD 'MDP' SCHEDULE

O.K.T. NO.	SERVICE TO:	LOAD (kVA)			O.C./POLE	O.K.T. NO.	PHASE			O.K.T. NO.	FAULT DUTY:	SURFACE	MOUNTING:	FED FROM:
		LIG	RECPT	OTHER			A	B	C					
1	PANEL 'LP'	2.40	3.70	3.10	200/3	1	3.7	3.1	2	80/3				2
3	PANEL 'RP1'		1.00		200/3	3	1.0		4	80/3				4
5	PANEL 'PP'		1.00		200/3	5			6	80/3				6
7	FUTURE RACK 'A'				50/3	7			8	15/3				8
9	FUTURE RTU-5				150/3	9			10	100/3				10
11	SPARE				100/3	11			12	80/3				12
PHASE TOTALS						3.								
						A	B	C						
						3.4	3.7	4.1						
TOTAL CONNECTED LOAD: 11.2 kVA AT 208Y120V = 31.1 AMPERES														

PANELBOARD 'RP1' SCHEDULE

O.K.T. NO.	SERVICE TO:	LOAD (kVA)			O.C./POLE	O.K.T. NO.	PHASE			O.K.T. NO.	FAULT DUTY:	SURFACE	MOUNTING:	FED FROM:
		LIG	RECPT	OTHER			A	B	C					
1	SPARE				20/1	1	1.0		2	20/1				2
3	SPARE				20/1	3			4	20/1				4
5	SPARE				20/1	5		1.0	6	20/1	1.00			6
7	SPARE				20/1	7			8	20/1				8
9	SPARE				20/1	9			10	20/1				10
11	SPARE				20/1	11			12	20/1				12
13	SPARE				20/1	13			14	20/1				14
15	SPARE				20/1	15			16	20/1				16
17	SPARE				20/1	17			18	20/1				18
19	SPARE				20/1	19			20	20/1				20
21	SPARE				20/1	21			22	20/1				22
23	SPARE				20/1	23			24	20/1				24
25	SPARE				20/1	25			26	20/1				26
27	SPARE				20/1	27			28	20/1				28
29	SPARE				20/1	29			30	20/1				30
31	SPARE				20/1	31			32	20/1				32
33	SPARE				20/1	33			34	20/2				34
35	SPARE				20/1	35			36					36
37	SPARE				20/1	37			38				PANEL 'CP'	38
39	SPARE				20/1	39			40	100/3				40
41	SPARE				20/1	41			42					42
PHASE TOTALS						3.								
						A	B	C						
						1.0	0.0	1.0						
TOTAL CONNECTED LOAD: 2.0 kVA AT 208Y120V = 5.6 AMPERES														

PANELBOARD 'RP2' SCHEDULE

O.K.T. NO.	SERVICE TO:	LOAD (kVA)			O.C./POLE	O.K.T. NO.	PHASE			O.K.T. NO.	FAULT DUTY:	SURFACE	MOUNTING:	FED FROM:
		LIG	RECPT	OTHER			A	B	C					
43	SPARE				20/1	43			44	20/1				44
45	SPARE				20/1	45			46	20/1				46
47	SPARE				20/1	47			48	20/1				48
49	SPARE				20/1	49			50	20/1				50
51	SPARE				20/1	51			52	20/1				52
53	SPARE				20/1	53			54	20/1				54
55	SPARE				20/1	55			56	20/1				56
57	SPARE				20/1	57			58	20/1				58
59	SPARE				20/1	59			60	20/1				60
61	SPARE				20/1	61			62	30/2				62
63	SPARE				20/1	63			64					64
65	SPARE				20/1	65			66	50/2				66
67	SPARE				20/1	67			68					68
69	SPARE				20/1	69			70	20/1				70
71	SPARE				20/1	71			72	20/1				72
73	SPARE				20/1	73			74	20/1				74
75	SPARE				20/1	75			76	20/1				76
77	SPARE				20/1	77			78	20/1				78
79	SPARE				20/2	79			80	20/1				80
81	SPARE				20/1	81			82	20/1				82
83	SPARE				20/1	83			84	20/1				84
PHASE TOTALS						3.								
						A	B	C						
						0.0	0.0	0.0						
TOTAL CONNECTED LOAD: 0.0 kVA AT 208Y120V = 0.0 AMPERES														

Order @ WWWW.DILine.com