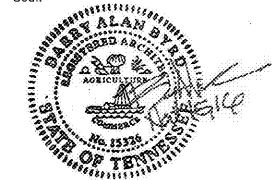




BARRY BYRD
ARCHITECTURE

P.O. Box 5482
Knoxville, TN 37928
(865) 687-6500

Seal:



THIS DRAWING IS THE PROPERTY OF BARRY BYRD ARCHITECTURE. ANY USE OR REPRODUCTION IN PART OR IN WHOLE IS PROHIBITED WITHOUT THE EXPRESSED WRITTEN CONSENT OF BARRY BYRD ARCHITECTURE.

Project Name:
GERMANTOWN2

Drawn By:
RAS

Revisions:

No.	DATE	DESCRIPTION

Project Title:

RETAIL SPACE

Poplar Avenue &
Exeter Road

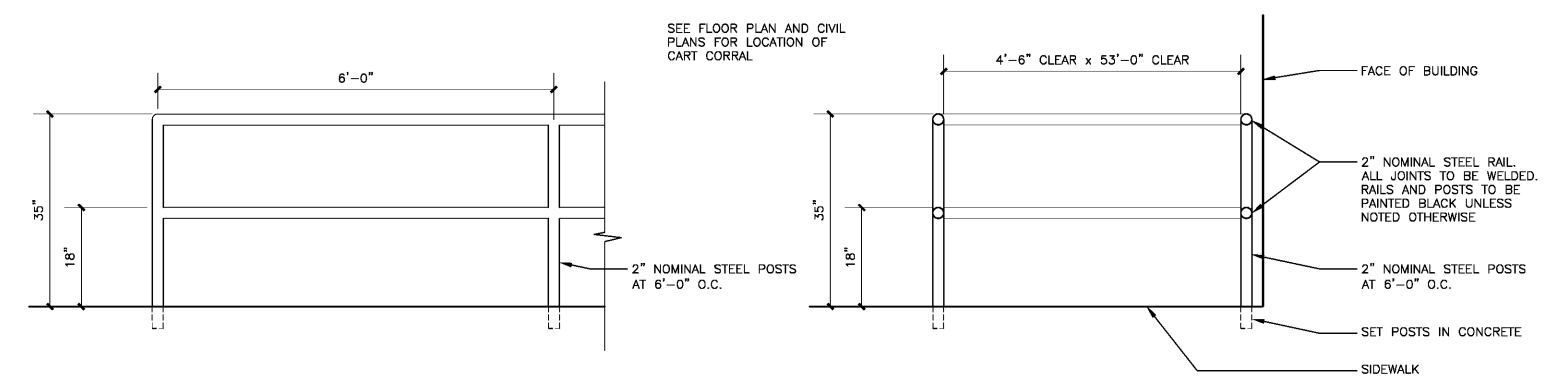
Location:
Germantown, TN

Sheet Contents:
Details

Date:
October 28, 2016

Sheet Number:
A-650

Order Plans @ www.LDILine.com



1 CART CORRAL
A-650 3/4" = 1' - 0"