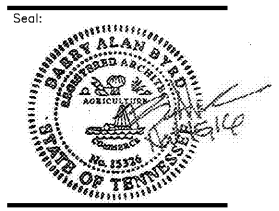




BARRY BYRD
ARCHITECTURE

P.O. Box 5482
Knoxville, TN 37928
(865) 687-6500



THIS DRAWING IS THE PROPERTY OF BARRY BYRD ARCHITECTURE. ANY USE OR REPRODUCTION IN PART OR IN WHOLE IS PROHIBITED WITHOUT THE EXPRESSED WRITTEN CONSENT OF BARRY BYRD ARCHITECTURE.

Project Name:
GERMANTOWN2

Drawn By:
MMB

Revisions:

No.	DATE	DESCRIPTION

Project Title:

RETAIL SPACE

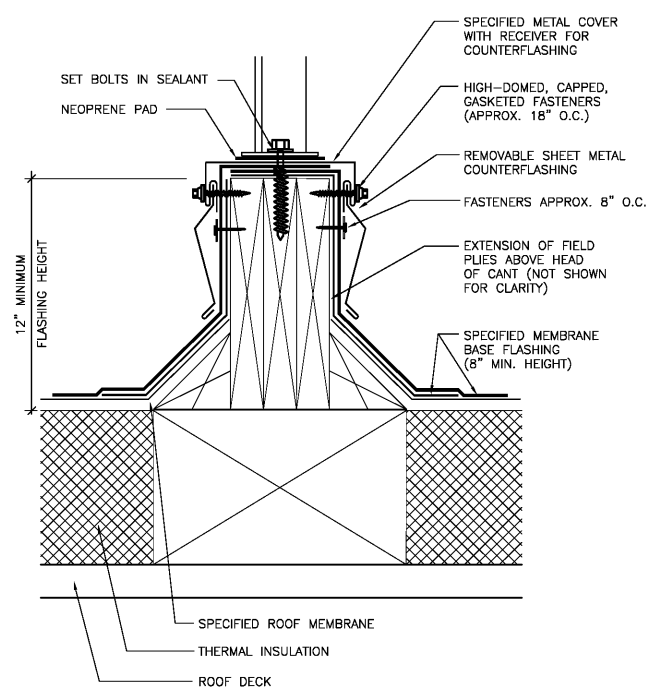
Poplar Avenue &
Exeter Road

Location:
Germantown, TN

Sheet Contents:
Roof & Flashing Details

Date:
October 28, 2016

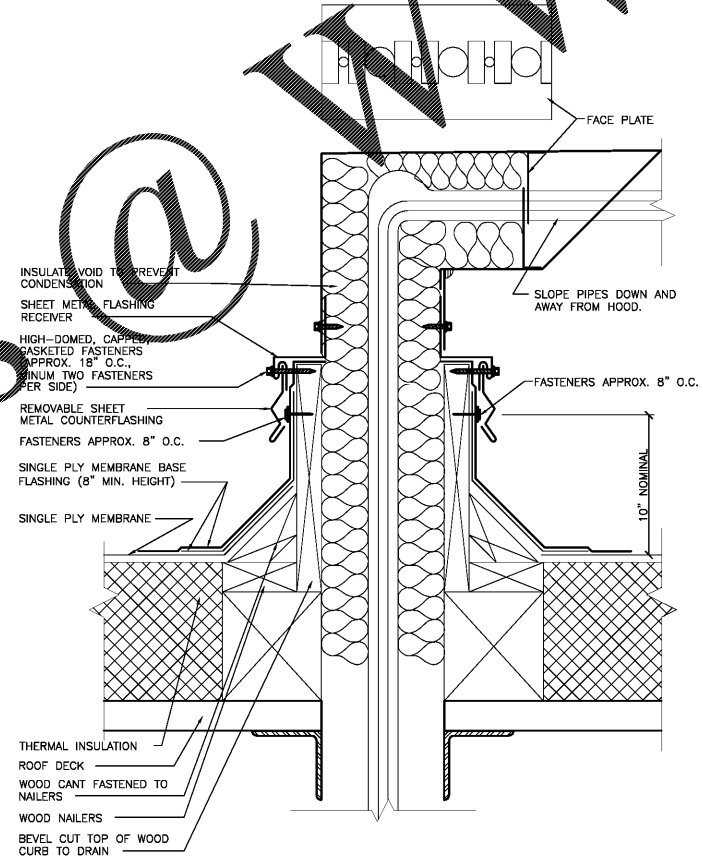
Sheet Number:
A-134



3 Equipment Support Curb
A-134 N.T.S.

2 Not Used
A-134 N.T.S.

1 Not Used
A-134 N.T.S.



NOTES:
1. REFRIGERATION LINE INSTALLER TO INSTALL FIBERGLASS FILL IN PORTAL AND TRIM CLOSURE PANEL FOR WEATERTIGHT FIT TO REFRIGERATION LINES.
2. REFRIGERATION LINE TRAPS AND INSULATION PER MANUFACTURES INSTRUCTIONS.

5 Sheet Metal Enclosure for Piping Through Roof Deck
A-134 N.T.S.

4 Not Used
A-134 N.T.S.

6 Not Used
A-134 N.T.S.

Order Plans @ WWW.LDILine.com