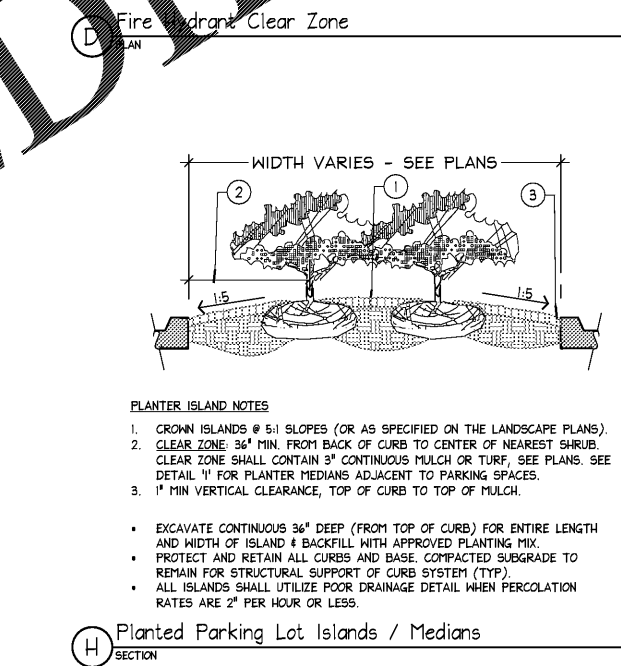
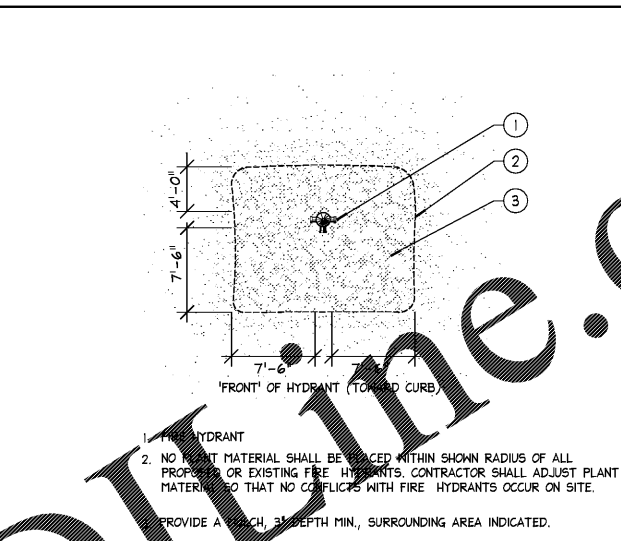
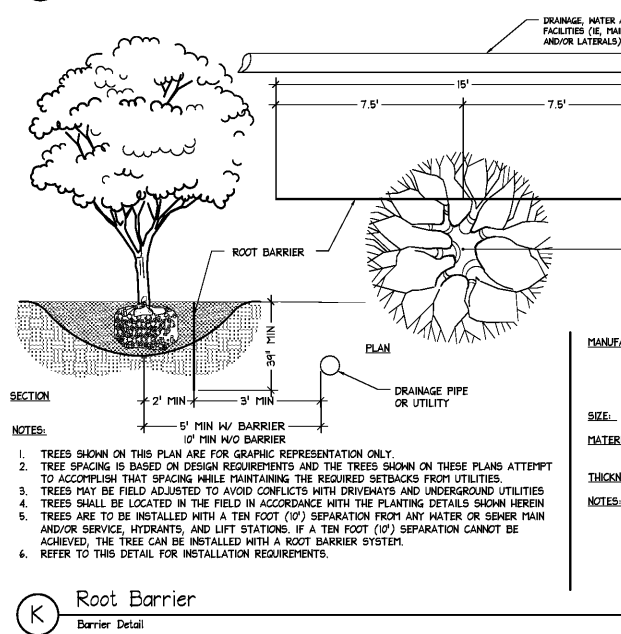
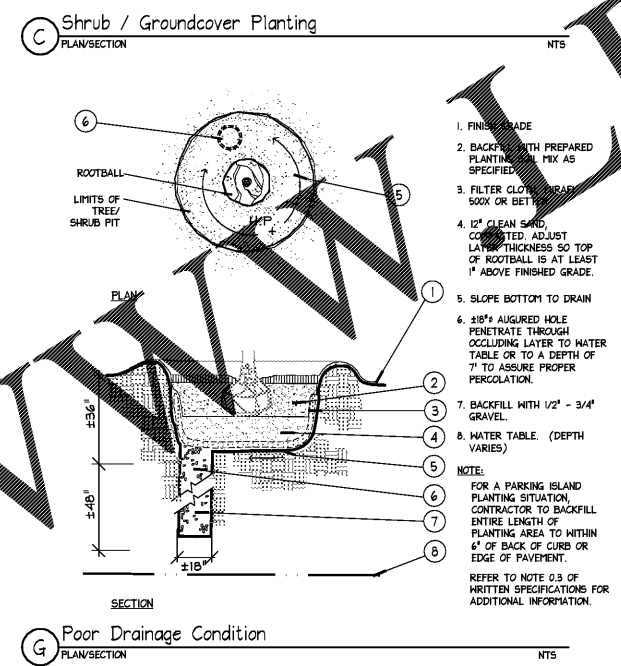
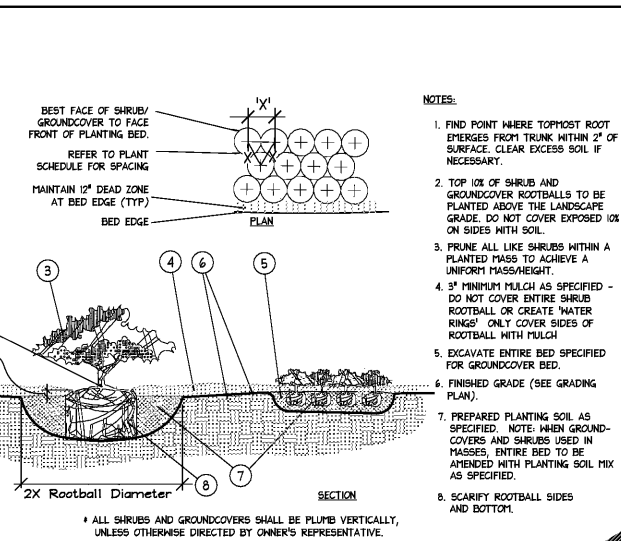
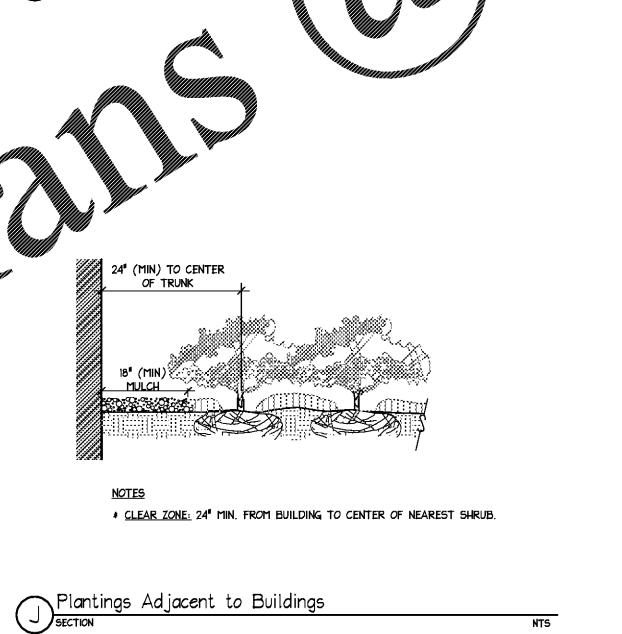
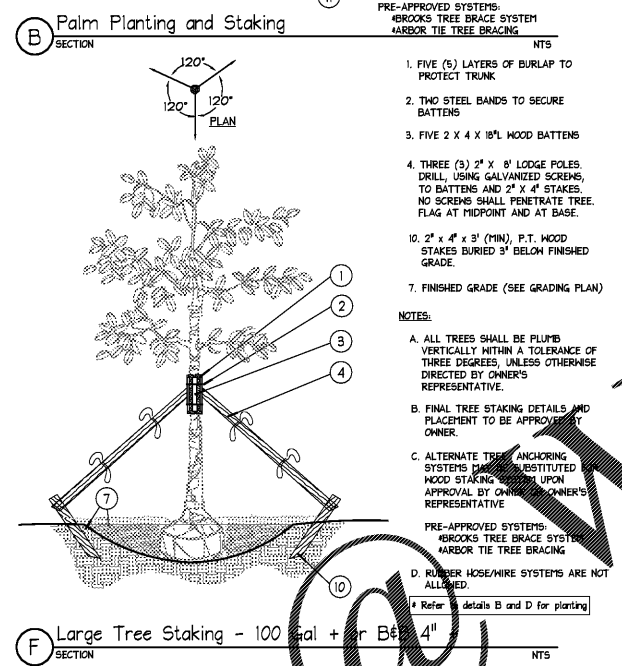
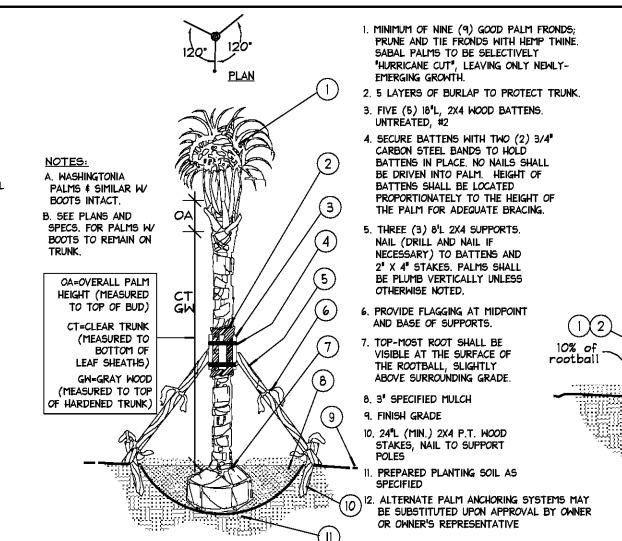
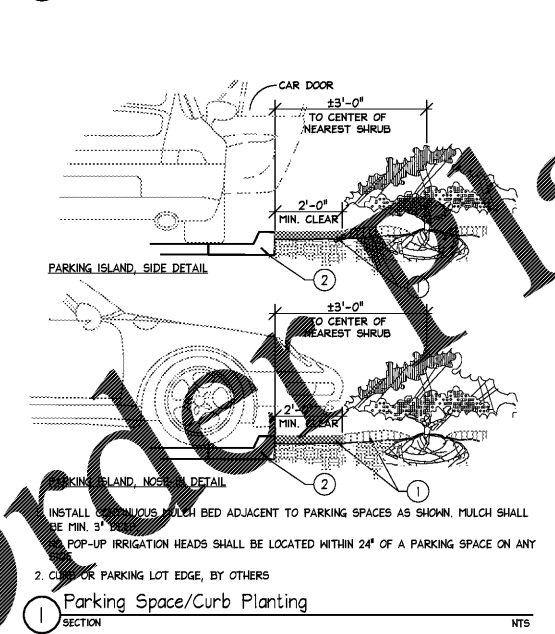
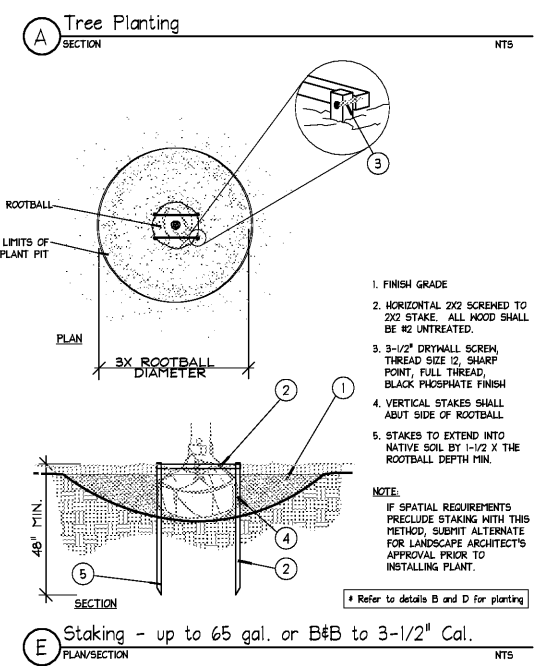
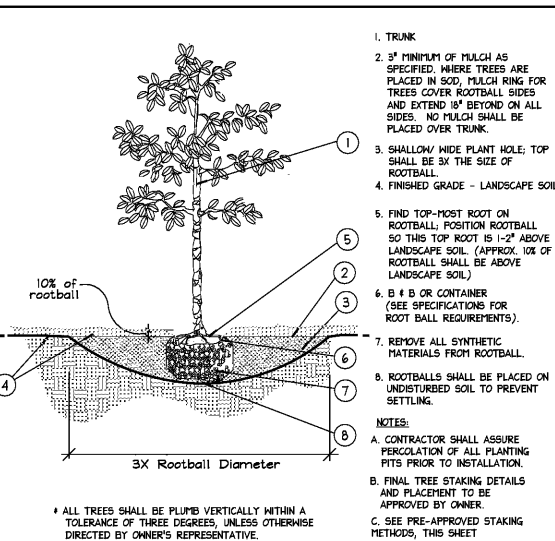


Sheet Set: 1560 PALM BEACH LAKES - Landscape Details - August 02, 2017 - 03:52:39pm - K:\pcc-cl\N\40336000 - 1560 palm beach - c:\gd\plan\110 LANDSCAPE DETAILS.dwg
 This document is the property of Kimley-Horn and Associates, Inc. and is to be used only for the specific purpose and client for which it was prepared. Release of this document without written authorization and adaptation by Kimley-Horn and Associates, Inc. shall be without liability to Kimley-Horn and Associates, Inc.



Kimley-Horn

© 2017 KIMLEY-HORN AND ASSOCIATES, INC. 33445
1615 S CONGRESS AVE., SUITE 201, DELRAY BEACH, FL
PHONE: 561-330-2345 FAX: 561-863-8175
WWW.KIMLEY-HORN.COM CA 0006896

K-HA PROJECT 140336000	LICENSED PROFESSIONAL JONATHAN D. HAIGH	DATE AUGUST 2017	SCALE AS SHOWN	DESIGNED BY SF	DRAWN BY SF
		DATE 08/02/2017	CHECKED BY JDH		

LANDSCAPE DETAILS

1560 PALM BEACH LAKES
PREPARED FOR
TRICOR INTERNATIONAL CORP.

WEST PALM BEACH, FL

SHEET NUMBER L1.10	DATE
REVISIONS	DATE