

SPECIFICATIONS

- NOTES**
- 4" plain end inlet/outlet
 - Unit weight - w/composite cover: 130 lbs.; w/cast iron cover: 185 lbs.
 - Maximum operating temperature: 190°F continuous
 - Capacities - Liquid: 125 gal.; Grease: 618 lbs. (86 gal.); Solids: 19.2 gal.
 - Built-in Flow control.
 - For gravity drainage applications only.
 - Do not use for pressure applications.
 - Cover placement allows full access to tank for proper maintenance.
 - Vent not required unless per local code.
 - Engineered inlet and outlet diffusers are removable to inspect/clean piping.
 - Integral air relief / Anti-siphon / Sampling access
 - Trimming of the adapter required between 12-1/2" to 16"; not required for 16" to 18-1/2".

DIFFUSION FLOW TECHNOLOGY

The inlet diffuser splits influent into three paths, creating laminar flow and utilizing the entire liquid volume of the tank for efficient grease separation. The calibrated openings greatly reduce effluent turbulence. The effluent enters the main chamber without disturbing the existing grease or sediment layers.

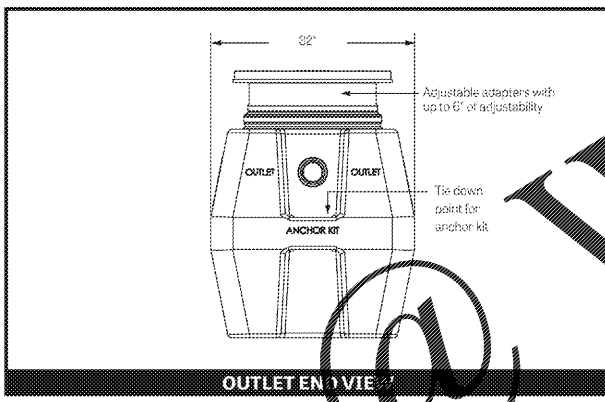
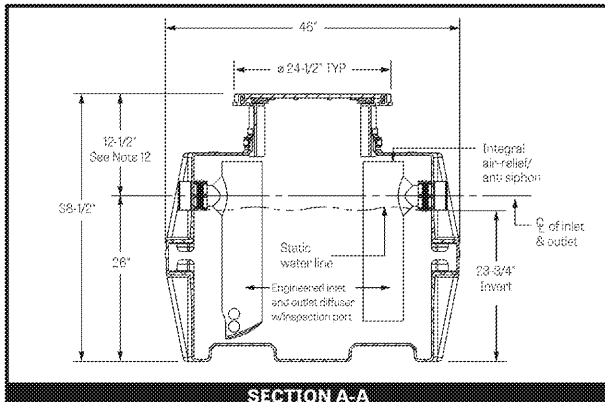
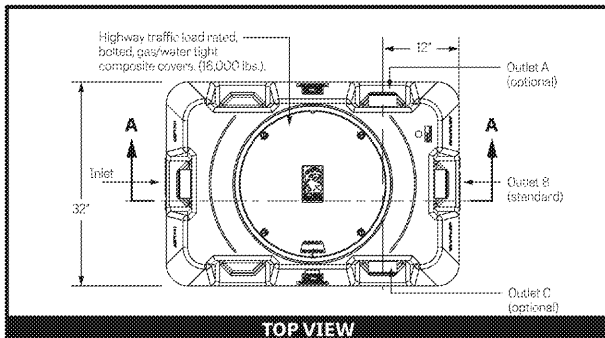
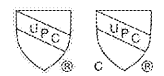
The integral air relief / anti-siphon in the top of the outlet diffuser allows pressure stabilization within the unit during operation. The bottom of the outlet diffuser allows only effluent which is free of grease to exit the tank. It can easily be attached to any of the three outlets provided to ease jobsite piping layouts.

ENGINEER SPECIFICATION GUIDE

Schier Great Basin™ grease interceptor model # GB-75 shall be lifetime guaranteed and made in USA of seamless, rotationally-molded polyethylene. Interceptor shall be furnished for above or below grade installation. Interceptor shall be certified to ASME A112.14.3 (type C) and CSA B481.1, with field adjustable riser system, built-in flow control, built-in test caps and three outlet options. Interceptor flow rate shall be 75 GPM. Interceptor grease capacity shall be 618 lbs. Cover shall provide water/gas-tight seal and have minimum 15,000 lbs. load capacity.

CERTIFIED PERFORMANCE

Great Basin hydromechanical grease interceptors are third party performance tested and listed by IAPMO to ASME #A112.14.3 and CSA B481.1 grease interceptor standards and greatly exceed requirements for grease separation and storage. They are compliant to the Uniform Plumbing Code and the International Plumbing Code.



- SPECIFICATIONS (GB-250)**
- 4" inlet/outlet Sch. 40, (No-Hub)
 - Max flow rate: 100 GPM
 - Liquid capacity: 250 Gallons
 - Max grease capacity: 1,076 lbs. (147.4 Gallons)
 - Max solids/sediment capacity: 105 Gallons
 - Unit weight w/std. covers: 230 lbs.
 - 15,000 lb. load rated, bolted, gas/water tight composite covers.
 - Maximum operating temperature 190°F continuous.

- NOTES**
- Listed by IAPMO to ASME grease interceptor standard #A112.14.3 and CSA B481.1
 - Factory installed Built-in Flow control.
 - For gravity drainage applications only.
 - Do not use for pressure applications.
 - 3/8" thick seamless high density polyethylene walls.
 - Unit supplied with built-in adapter(s) for up to 6" of adjustability. Additional riser(s) available for deeper burial depth.
 - Cover placement allows full access to tank for proper maintenance.
 - Vent not required unless per local code.
 - Narrow footprint allows clearance through doorways and down stairwells.
 - Engineered inlet and outlet diffusers are removable to inspect/clean piping.
 - For on-the-floor or buried applications.
 - Integral Air Relief / Anti-siphon.
 - Three outlet options for easy rough in. Unit shipped with outlet diffuser in outlet "B".

DIFFUSION FLOW TECHNOLOGY

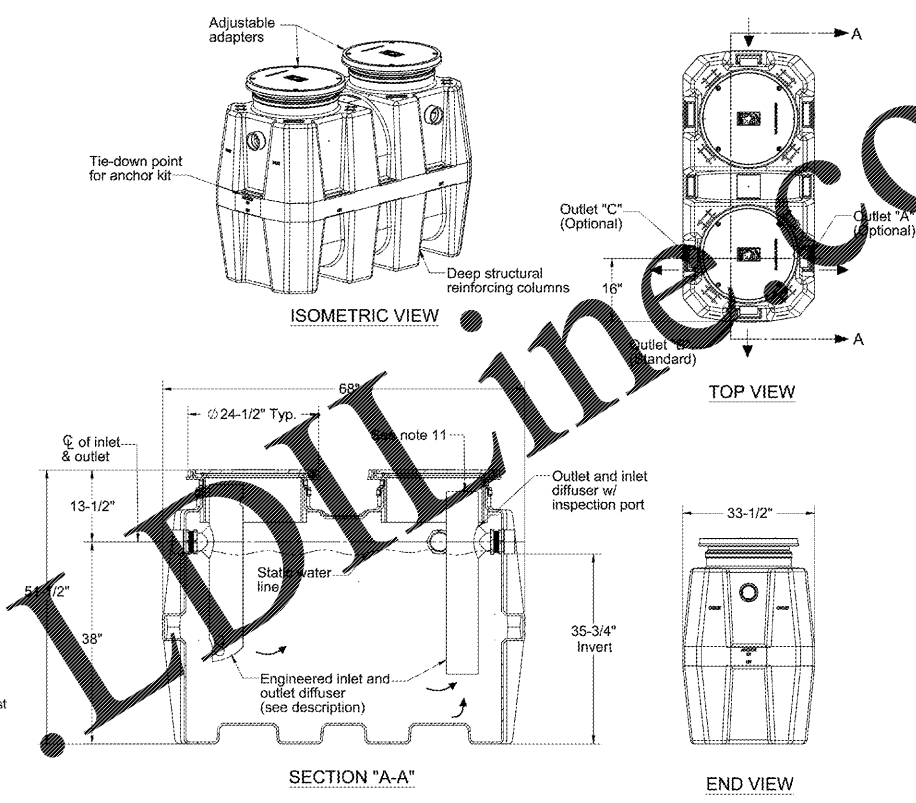
The inlet diffuser splits incoming effluent into two paths that utilize the entire liquid volume of the tank for efficient grease separation. The calibrated openings greatly reduce effluent turbulence. The effluent enters the main chamber without disturbing the existing grease or sediment layers.

The integral air relief/anti-siphon in the top of the outlet diffuser allows pressure stabilization within the unit during operation. The bottom of the outlet diffuser allows only effluent which is free of grease to exit the tank. It can easily be attached to any of the three outlets provided to ease jobsite piping layouts.

ENGINEER SPECIFICATION GUIDE

Schier Great Basin™ grease interceptor model #GB-250 shall be lifetime guaranteed and made in USA of seamless, rotationally-molded High Density Polyethylene with minimum 1/2" uniform wall thickness. Interceptor shall be furnished for above or below grade installation. Interceptor shall be built in accordance of ASME A 112.14.3 (type C), with field adjustable riser system, built-in flow control, built-in test caps and three outlet options. Interceptor flow rate shall be 100 GPM. Interceptor grease capacity shall be 1,076 lbs. Cover shall provide water/gas-tight seal and have minimum 15,000 lbs. load capacity.

- OPTIONS:**
- Teleglide field adjustable risers for extend cover to grade
 - Male pipe thread connection
 - 6" Plain end connection (No-Hub)
 - High water anchor kit (set of 4)
 - Cleaning collar
 - High rated pickable cover



PART NUMBER: GB-250

DESCRIPTION:
GREAT BASIN SERIES POLYETHYLENE GREASE INTERCEPTOR 100 GPM, 250 LIQUID GALLONS, 1,076 GREASE POUNDS CAPACITY

Schier Products
9500 Woodend Road
Edwardsville, KS 66111
Tel: 800-827-7119
Fax: 800-827-9664
www.schierproducts.com



DWG BY: TEU | DATE: 11/13/06 | REV: 9 - 5/3/13 | MATL: PE

Made in the U.S.A.

| | | | | |
|---|---------------------------------------|--|------------------------------|-------------------------------|
| <p>SCHIER LIFETIME GUARANTEED GREASE INTERCEPTORS</p> <p>9500 Woodend Road Edwardsville, KS 66111 Tel: 913-961-2700 Fax: 913-961-3399 www.schierproducts.com</p> | <p>MODEL NUMBER: GB-75</p> | <p>DESCRIPTION: Polyethylene Grease Interceptor 75 GPM, 125 Gallon Capacity</p> | | |
| | <p>PART #: 4045-001-KX</p> | <p>DWG #: 1001</p> | <p>DATE: 11/13/06</p> | <p>REV: 9 - 5/3/13</p> |

| | |
|---|--------------------------|
| <p>Kimley»Horn</p> <p>© 2017 KIMLEY-HORN AND ASSOCIATES, INC. 33445 1615 S CONGRESS AVE. SUITE 201 DELRAY BEACH, FL PHONE: 904-330-2345 FAX: 904-863-8175 WWW.KIMLEY-HORN.COM CA 0000696</p> | |
| <p>PROJECT: 140336000</p> | <p>DATE: AUGUST 2017</p> |
| <p>SCALE: AS SHOWN</p> | <p>DESIGNED BY: MEM</p> |
| <p>DRAWN BY: JRB</p> | <p>CHECKED BY: MDS</p> |
| <p>DATE: ---</p> | <p>DATE: ---</p> |

GREASE TRAP DETAILS

1560 PALM BEACH LAKES
PREPARED FOR
TRICOR INTERNATIONAL CORP.

WEST PALM BEACH FL

SHEET NUMBER
C6.11

Order Plans @ **LDOnline.com**
 Approved By: Fitzgerald
 This document, including the concepts and designs presented herein, is an instrument of service, as an instrument of service, and shall be without liability to Kimley-Horn and Associates, Inc.