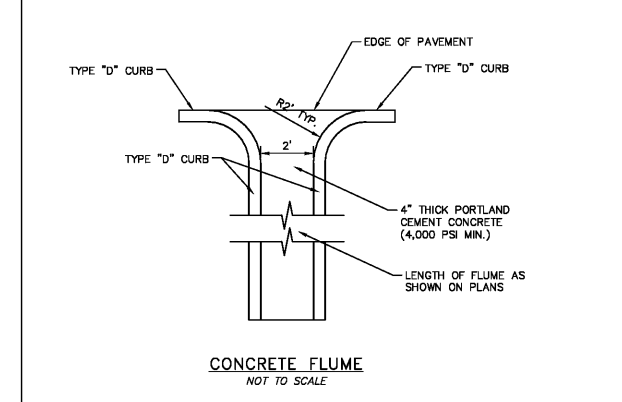
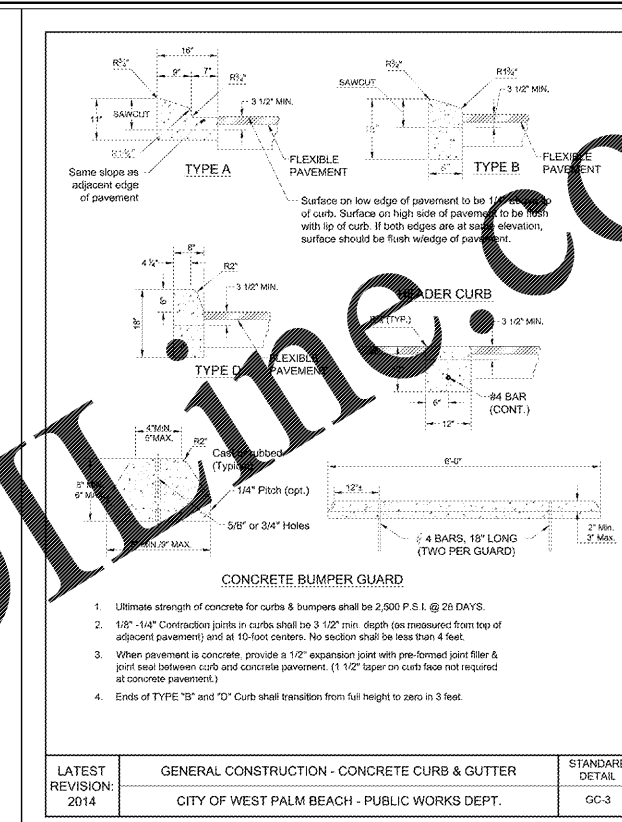
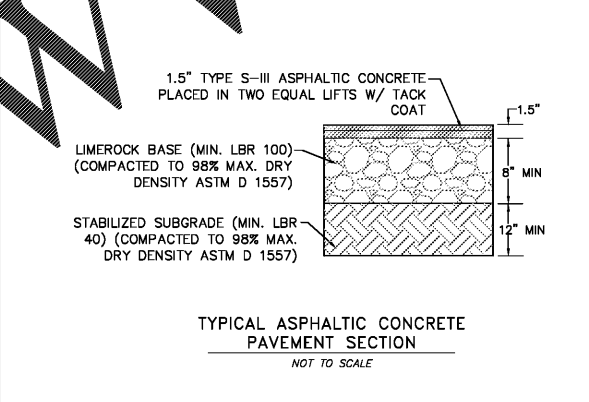
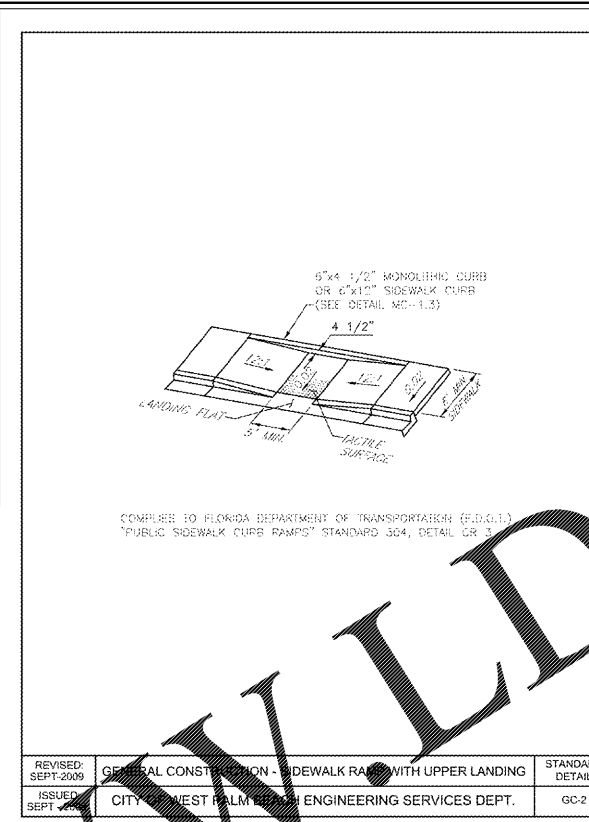
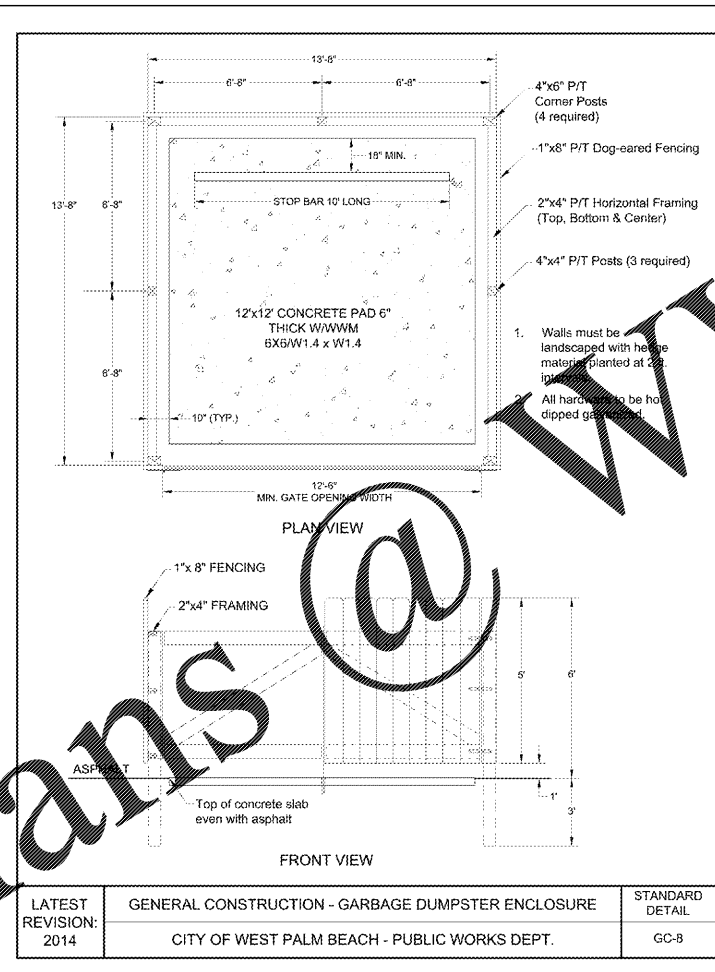
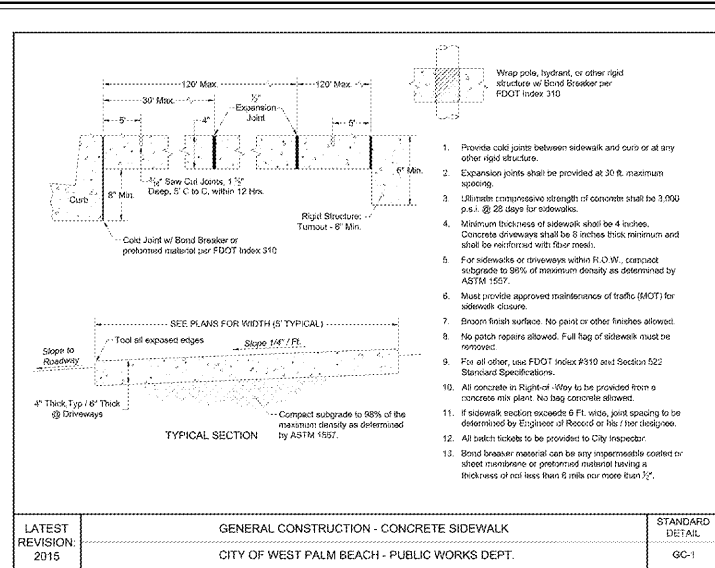


Order Plans @ WWW.LDLINE.COM
 Sheet Set: 1560 PALM BEACH LAKES - PAVING, GRADING, AND DRAINAGE DETAILS - August 03, 2017 - 04:52:27pm - K:\BCD-CIV\140336000 - 1560 Palm Beach Lakes CAD\Drawings\C5.10 PAVING, GRADING, AND DRAINAGE DETAILS.dwg
 Prepared by: MDM, JRB, MDS
 Checked by: MDS
 Date: 08/03/17
 Scale: AS SHOWN
 Project: 140336000
 KHA PROJECT: 140336000
 DATE: AUGUST 2017
 SCALE: AS SHOWN
 DESIGNED BY: MDM
 DRAWN BY: JRB
 CHECKED BY: MDS
 DATE: ---
 LICENSED PROFESSIONAL: MICHAEL D. SPRUCE, P.E.
 FL LICENSE NUMBER: 52776
 © 2017 KIMLEY-HORN AND ASSOCIATES, INC.
 1615 S CONGRESS AVE., SUITE 201, DELRAY BEACH, FL 33445
 PHONE: 561-330-2345 FAX: 561-863-8175
 WWW.KIMLEY-HORN.COM CA 0006896



Kimley»Horn
 © 2017 KIMLEY-HORN AND ASSOCIATES, INC.
 1615 S CONGRESS AVE., SUITE 201, DELRAY BEACH, FL 33445
 PHONE: 561-330-2345 FAX: 561-863-8175
 WWW.KIMLEY-HORN.COM CA 0006896

KHA PROJECT: 140336000
 DATE: AUGUST 2017
 SCALE: AS SHOWN
 DESIGNED BY: MDM
 DRAWN BY: JRB
 CHECKED BY: MDS
 DATE: ---

LICENSED PROFESSIONAL: MICHAEL D. SPRUCE, P.E.
 FL LICENSE NUMBER: 52776

1560 PALM BEACH LAKES
 PREPARED FOR:
 TRICOR INTERNATIONAL CORP.
 WEST PALM BEACH, FL

SHEET NUMBER: C5.10

PAVING, GRADING, AND DRAINAGE DETAILS