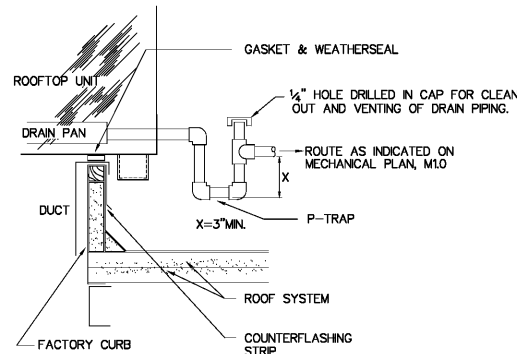


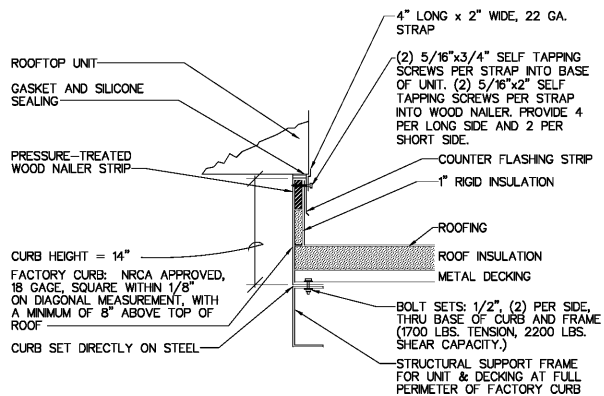
PIPE PROP
The Professional's Choice

- ROOF CONDENSATE PIPE SUPPORT NOTES:
1. CONTRACTOR SHALL PROVIDE AND INSTALL "PIPE PROP" CONDENSATE SUPPORTS WITH THE MIAMI-DADE NOTICE OF ACCEPTANCE (NOA) NUMBER 11-1019.05 (EXPIRATION DATE: AUGUST 23, 2017).
 2. CONTRACTOR SHALL INSTALL "PIPE PROP" CONDENSATE SUPPORTS IN ACCORDANCE TO NOA 11-1019.05 AND TO MEET 140 MPH (MINIMUM) WIND LOAD.
 3. CONTRACTOR SHALL INSTALL "PIPE PROP" WITH SADDLE APS-1 FOR PIPE SIZE UP TO 1 1/4" AND SADDLE APS-2 FOR PIPE SIZE 1 1/2" THRU 2 1/4".
 4. PIPE STAND SUPPORT SPACING SHALL BE 4'-0" MAXIMUM.

PIPE PROP
A Product of
INTEGRATED LLC
6140 Baker Boulevard
Fort Worth, Texas 76118
U.S. Patents # 6,806,241 & 6,078,778
Other U.S. Patents Pending.



R.T.U. CONDENSATE DETAIL
SCALE: NONE



1. MECHANICAL SUBCONTRACTOR SHALL FURNISH ROOF OPENING SIZES & LOCATIONS, FOR STRUCTURAL SUPPORT FRAMING BY GENERAL CONTRACTOR.
2. CURB SHALL BE MANUFACTURED WITH SLOPING BASE TO MATCH ROOF PITCH AND LEVEL TOP.
3. SYSTEM SHALL BE CAPABLE OF WITHSTANDING WIND FORCE IN ACCORDANCE WITH THE 2014 FLORIDA BUILDING CODE AND OTHER APPLICABLE CODES. THE SYSTEM HAS BEEN DESIGNED FOR 146 MPH WIND FORCE (MINIMUM).

RTU CURB/TIE DOWN DETAIL
SCALE: NONE

| RTU SCHEDULE | | | | |
|--------------------------|---------------------|-----------|--------------|-----------------|
| MARK | --- | RTU-1 | RTU-2 THRU 8 | RTU-9A, 9B & 9C |
| MANUFACTURER | --- | TRANE | TRANE | TRANE |
| MODEL | --- | TSC072 | TSC048 | TSC120 |
| SUPPLY AIR | CFM | 2,400 | 1,600 | 4,000 |
| OUTSIDE AIR | CFM | 360 | 200 | 460 |
| CAPACITY | TONS | 6 | 4 | 10 |
| TOTAL COOLING | MEH | 75 | 48 | 120 |
| SENSIBLE COOLING | MEH | 54 | 38 | 92 |
| EXTERNAL STATIC PRESSURE | IN H ₂ O | 0.8 | 0.8 | 0.8 |
| ELECTRIC HEAT | KW/STEP | 9/1 | 4.5/1 | 13.5/2 |
| EVAPORATOR FAN | HP/FLA | 1.0/5.0 | 1.0/6.9 | 3.8/8.5 |
| FILTER TYPE | --- | THROWAWAY | THROWAWAY | THROWAWAY |
| COMPRESSOR | NO/RLA | 1/22.4 | 1/13.7 | 2/19.6 |
| CONDENSING FAN | NO/FLA | 1/3.5 | 1/1.4 | 1/4.0 |
| ELECTRICAL DATA | V/PH/HZ | 208/3/60 | 208/3/60 | 208/3/60 |
| MCA | AMPS | 36.5 | 25 | 35.5 |
| FUSE/MOCP | AMPS | 50 | 35.0 | 68 |
| EFFICIENCY | SEER/EER | -/11.2 | 14.0/- | -/11.3 |
| WEIGHT | LBS. | 1,200 | 1,200 | 1,800 |
| NOTES | --- | 1 - 16 | 1 - 4, 16 | 1 - 16 |

NOTES

1. TRAP CONDENSATE DRAIN AT UNIT (FULL SIZE OF OPENING MIN. 3" WATER SEAL AND EXTEND AS SHOWN).
2. ALL UNITS SHALL BE SUPPLIED WITH COMPLETE TEMPERATURE CONTROLS AND AUTOMATIC CHANGEOVER.
3. ALL CAPACITIES AT A.R. CONDITIONS.
4. PROVIDE WITH FACTORY FABRICATED 18" INSULATED ROOF CURB WITH SLOPED BASE TO MATCH ROOF PITCH AND SET TOP LEVEL.
5. ALL OUTSIDE AIR INTAKES SHALL HAVE MODERIZED VOLUME DAMPERS.
6. PROVIDE SINGLE POINT POWER CONNECTION.
7. PROVIDE DUCT TRANSITIONS FROM THE SUPPLY AND RETURN DUCT OPENINGS TO THE DUCT SIZES SHOWN ON THE DRAWINGS.
8. THE CONTRACTOR SHALL BE RESPONSIBLE FOR ANY ADDITIONAL ELECTRICAL COSTS WHICH MAY RESULT FROM SUBSTITUTED EQUIPMENT.
9. PERMANENTLY IDENTIFY ALL SYSTEMS WITH THE ROOF TOP UNIT DESIGNATION AND SERIAL NUMBER SERVED.
10. INSTALL FILTERS IN UNIT PRIOR TO STARTUP AND PROVIDE NEW SET OF FILTERS AT COMPLETION OF CONSTRUCTION PRIOR TO TEST AND BALANCE.
11. ELECTRICAL POWER AND CONTROL CONDUITS SHALL RISE UP INSIDE THE CURB OF THE RTU.
12. DISCONNECT SWITCH SHALL BE PROVIDED BY ELECTRICAL CONTRACTOR.
13. CONVEYANCE OUTLET SHALL BE PROVIDED BY ELECTRICAL CONTRACTOR.
14. APPROVED ALTERNATE MANUFACTURERS: CARRIER AND YORK/JCI
15. SUPPLY AND RETURN AIR SMOKE DETECTORS SHALL BE PROVIDED BY ELECTRICAL CONTRACTOR AND INSTALLED BY MECHANICAL CONTRACTOR.
16. PROVIDE WITH HINGED ACCESS DOORS.

| AIR DISTRIBUTION SCHEDULE | | | | | |
|---------------------------|--------------|-------|----------------------|----------|---------------|
| MARK | MANUFACTURER | MODEL | TYPE | MATERIAL | NOTES |
| RG1 | PRICE | 80FH | FILTER RETURN GRILLE | ALUMINUM | 1, 2, 3, 4, 5 |

NOTES

1. NOISE CRITERIA NOT TO EXCEED 25.
2. CONTRACTOR TO COORDINATE BORDER TYPE.
3. REFER TO FLOOR PLAN FOR CFM.
4. PROVIDE MANUAL VOLUME DAMPER AT MAIN TRUNK FOR BALANCING.
5. APPROVED ALTERNATE MANUFACTURERS: TITUS AND METAL AIRE.

| OUTSIDE AIR CALCULATION SCHEDULE | | | | | | | |
|----------------------------------|-----------|-----------------------|----------------------|-------------------|--------------|--------------|---------|
| SPACE | OCCUPANCY | OCCUPANCY REQUIREMENT | GROSS AREA (sq. ft.) | AREA REQUIREMENTS | REQUIRED CFM | PROVIDED CFM | NOTES |
| RETAIL (RTU-1) | 14 PEOPLE | 7.5 CFM/PERSON | 2100 | 0.12 CFM/sq. ft. | 357 | 360 | 1, 2, 3 |
| RETAIL (RTU-2 THRU 8) | 7 PEOPLE | 7.5 CFM/PERSON | 1230 | 0.12 CFM/sq. ft. | 200 | 200 | 1, 2, 3 |
| RESTAURANT (RTU-9A, 9B, 9C) | 95 PEOPLE | 7.5 CFM/PERSON | 3500 | 0.18 CFM/sq. ft. | 1343 | 1380 | 1, 2, 3 |

NOTES

1. THE OUTSIDE AIR WAS CALCULATED USING NET OCCUPIABLE SPACE.
2. THE OUTSIDE AIR WAS CALCULATED USING INTERMITTENT OCCUPANCY.
3. OUTSIDE AIR CALCULATIONS BASED ON ASHRAE 62.1-2010.

INTERNATIONAL CENTER PARKWAY
SUITE 200
LAKE MARY, FLORIDA 32746
PHONE: 407-566-0330
FAX: 407-566-0330
www.michaelbradyinc.com
michaelbrady inc.
ARCHITECTURE INTERIORS
4400000008

THE DESIGN PROFESSIONAL DENIES ANY AND ALL RESPONSIBILITY AND LIABILITY FOR PROBLEMS WHICH ARISE FROM FAILURE TO FOLLOW THESE PLANS, SPECIFICATIONS AND THE DESIGN INTENT THEY CONVEY, OR PROBLEMS WHICH ARISE FROM OTHER FAILURE TO OBTAIN AND/OR FOLLOW THE DESIGN PROFESSIONAL'S GUIDANCE WITH RESPECT TO ANY ORDERS, OMISSIONS, INCONSISTENCIES, AMBIGUITIES OR CONFLICTS WHICH ARE ALLEGED.

COPYRIGHT © MICHAEL BRADY INC. 2017

WEST PALM BEACH
RETAIL BUILDING

1560 PALM BEACH LAKES BLVD
WEST PALM BEACH, FL 33401

A NEW DEVELOPMENT FOR:

THIS DRAWING HAS BEEN ISSUED.
 FOR REVIEW ONLY
 FOR PERMITTING ONLY
 SCHEMATIC DESIGN
 DESIGN DEVELOPMENT
 CONSTRUCTION DOCUMENTS

Drawing Title:
SCHEDULES & DETAILS

Date: 05/24/17

Designed By: LR
Drawn By: CH
Reviewed By: LR

Comm. No. 170217

Revisions:

Job Number: 40103

Colwill Engineering
Consulting Engineers, Inc.
Engineering Business No. 9021
4780 East Adamo Drive Tampa, Florida 33606
Tel: 813-241-2020 Fax: 813-241-2424
© 2017 ALL RIGHTS RESERVED

Sheet No. M2.1
of

Order Plans @ WWW.MichaelBradyInc.com