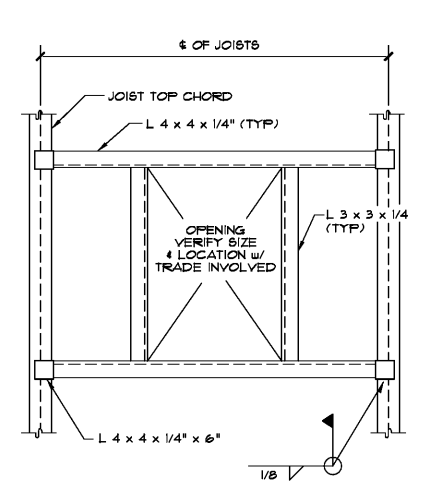


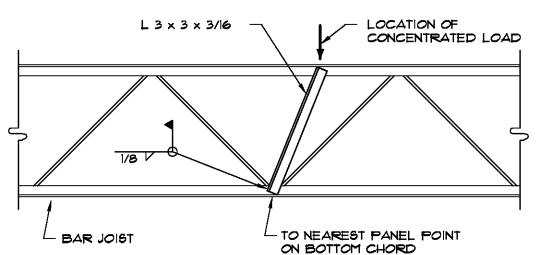
JOIST LOADING SCHEDULE		
MARK	CONC. LOAD (LBS)	UNIF. LOAD (LBS/FT)
8P-J1	100	240
8P-J2	1000	240
8P-J3	2000	240

JOISTS SUPPORTING CONCENTRATED LOADS ARE TO BE DESIGNED WITH THE FOLLOWING LOAD CONDITIONS. THE NORMAL UNIFORM LOAD IS TO BE APPLIED SIMULTANEOUSLY WITH A CONCENTRATED LOAD AT THE MIDSPAN AND AT 1'-0" FROM THE SUPPORT.

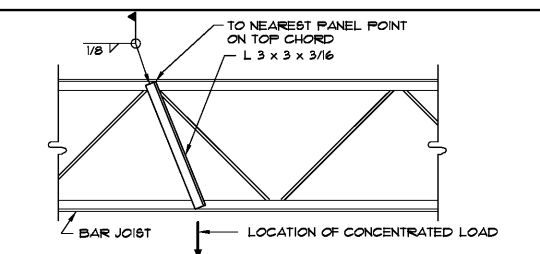
1 SECTION  
 84.2 SCALE: 3/4" = 1'-0"



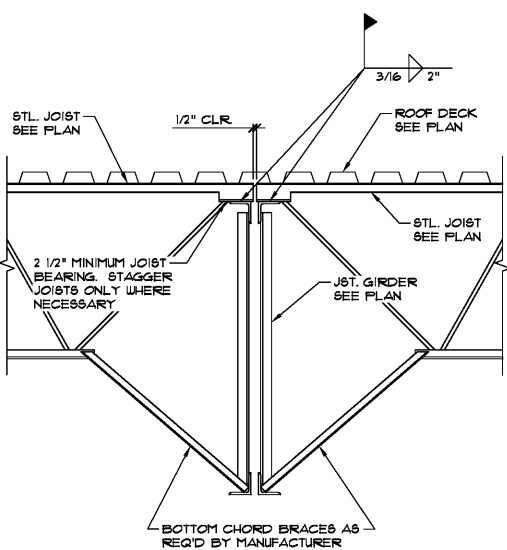
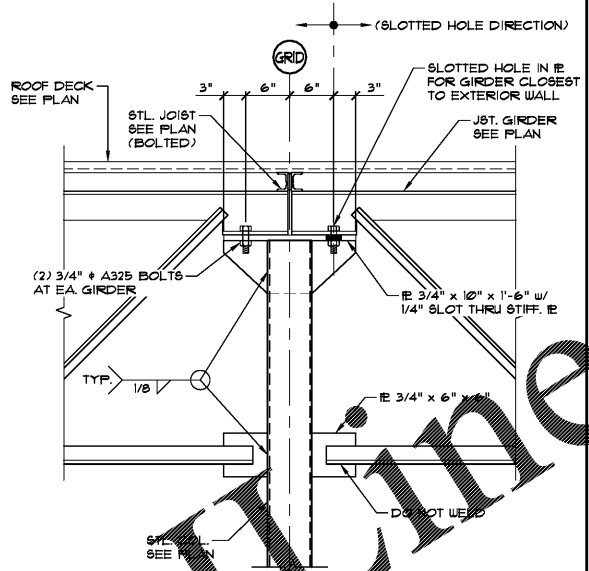
2 SECTION  
 84.2 SCALE: 3/4" = 1'-0"



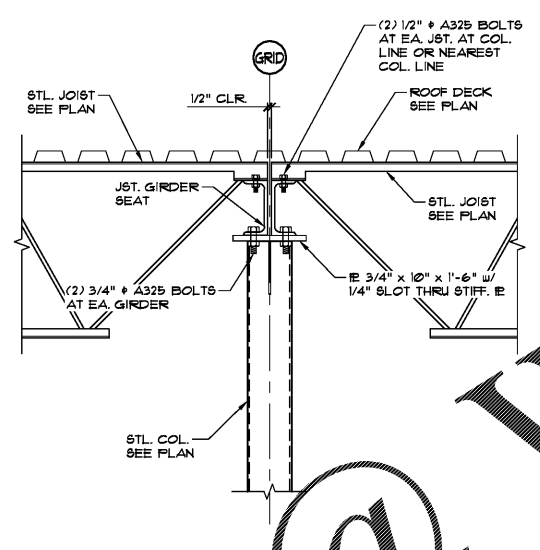
3 SECTION  
 84.2 SCALE: 3/4" = 1'-0"



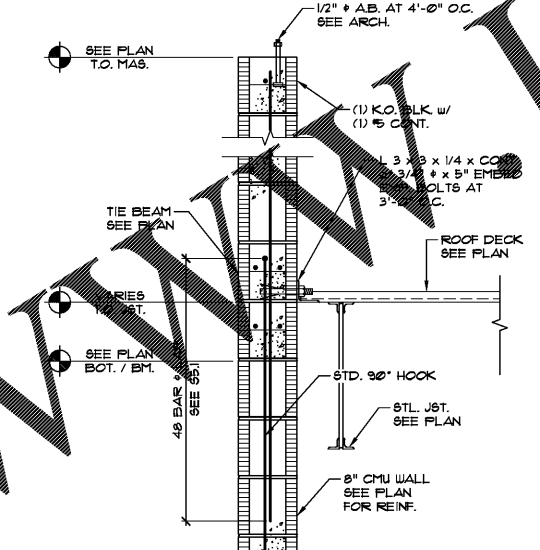
4 SECTION  
 84.2 SCALE: 1" = 1'-0"



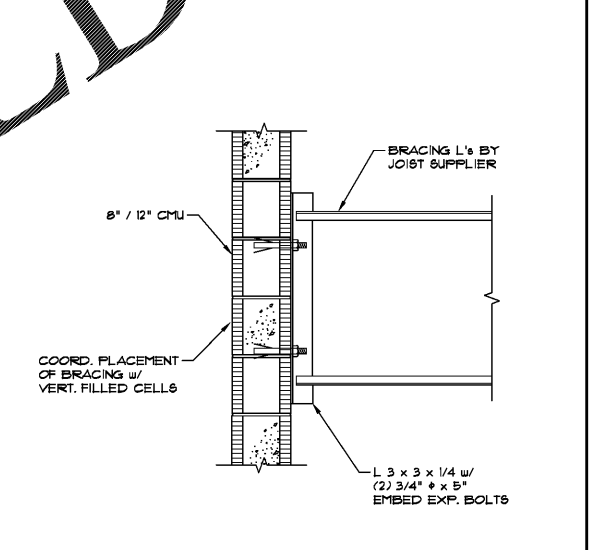
5 SECTION  
 84.2 SCALE: 1" = 1'-0"



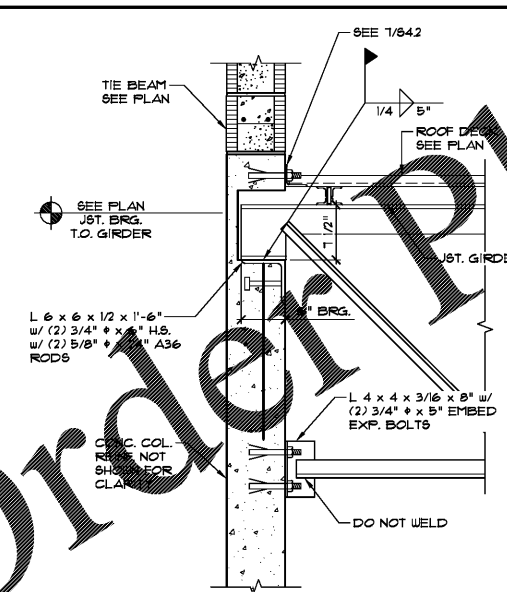
6 SECTION  
 84.2 SCALE: 1" = 1'-0"



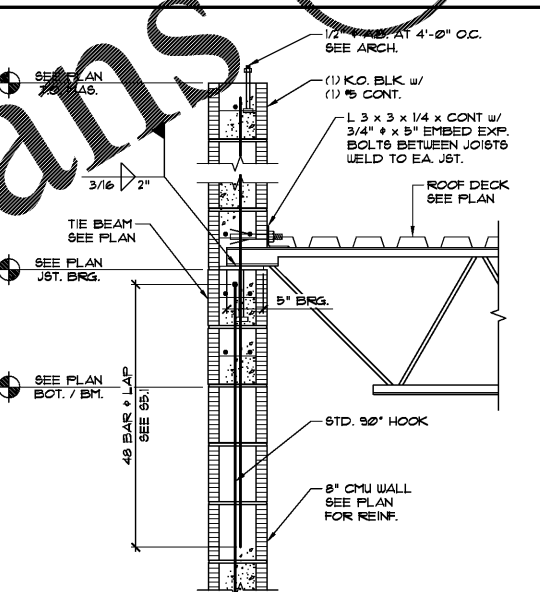
7 SECTION  
 84.2 SCALE: 1" = 1'-0"



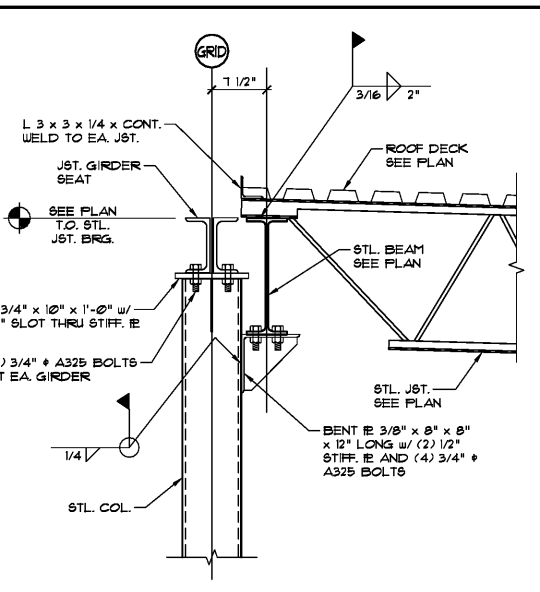
8 SECTION  
 84.2 SCALE: 1" = 1'-0"



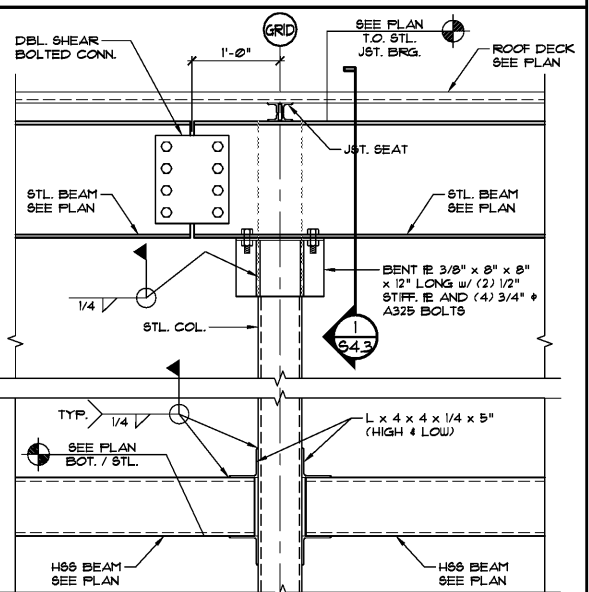
9 SECTION  
 84.2 SCALE: 1" = 1'-0"



10 SECTION  
 84.2 SCALE: 1" = 1'-0"



11 SECTION  
 84.2 SCALE: 1" = 1'-0"



12 SECTION  
 84.2 SCALE: 1" = 1'-0"

Order Plans @