

METAL STUDS FASTENING NOTES
 (UNO.)

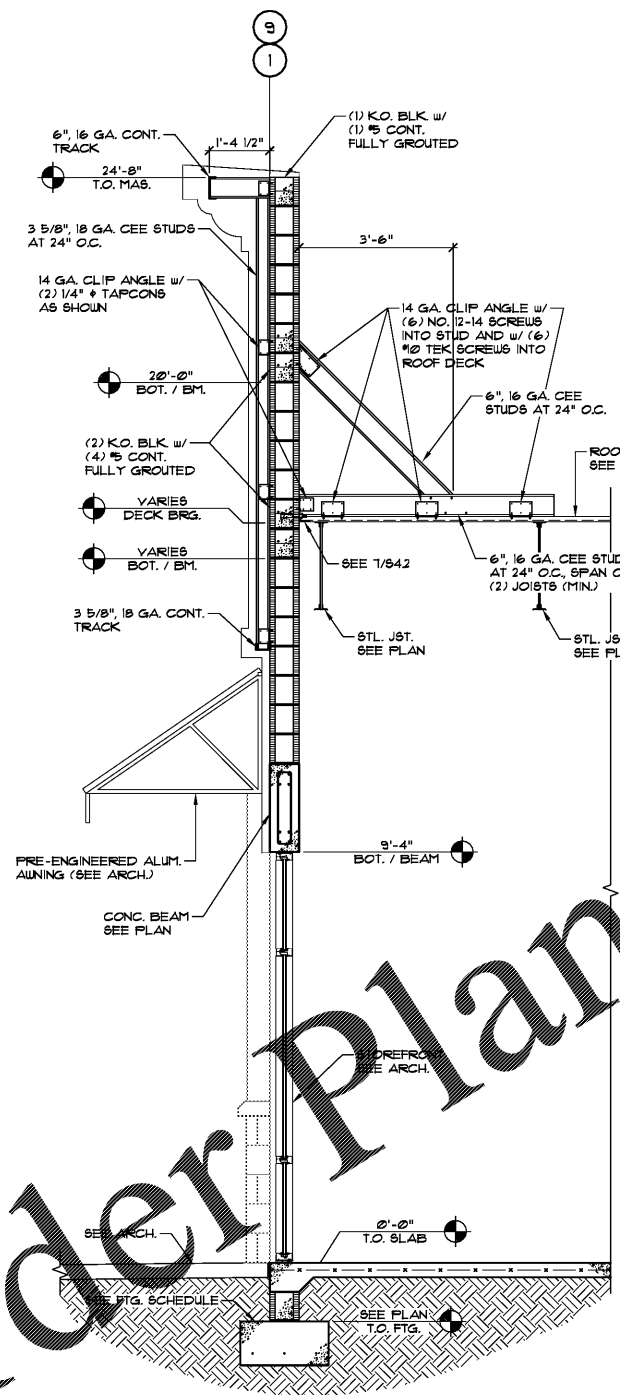
- METAL STUDS SHALL BE CONNECTED TO STRUCTURAL STEEL w/ (2) Ø11" + P.D.F.'s
- METAL STUDS SHALL BE CONNECTED TO METAL STUDS / CLIP ANGLES w/ MIN. (4) NO. 12-14 SCREWS
- CONTINUOUS TRACK SHALL BE CONNECTED TO STRUCTURAL STEEL w/ (2) Ø11" + P.D.F.'s AT 24" O.C.
- CONTINUOUS TRACK / STUDS SHALL BE CONNECTED TO CMU w/ (2) 1/4" + TAPCONS AT 24" O.C.
- CONNECT SHEATHING TO METAL STUDS w/ NO. 12-14 SCREWS AT 6" O.C.
- 14 GA. CLIP ANGLES SHALL BE CONNECTED TO CMU w/ (2) 1/4" + TAPCONS

MTL. STUD WELDING NOTE:
 WELD TRUSS w/ 3/32" OR 1/8" AUS TYPE 6013 OR 1014 ROD WITH A WELDING HEAT OF 60-110 AMPERES DEPENDING ON GAGE OF MATERIAL AND FIT.

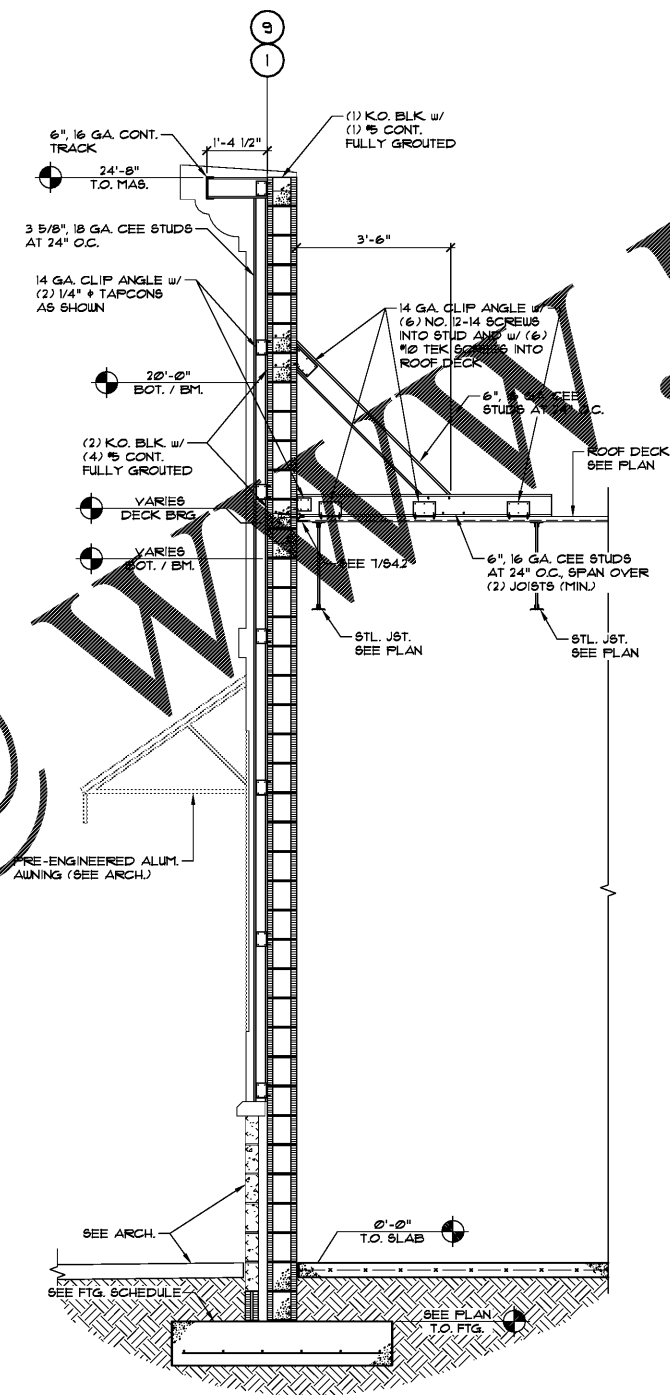
COORDINATE ALL SOFFIT HEIGHTS AND SECTIONS w/ ARCH

COORDINATE ALL DIMENSIONS WITH ARCHITECTURAL DRAWINGS

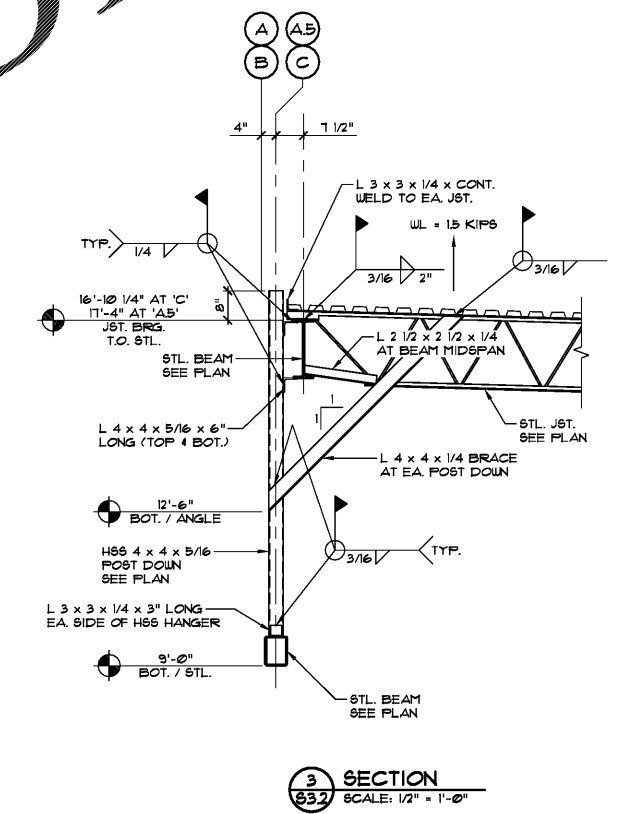
SEE ARCH FOR SHEATHING



1 SECTION
 832 SCALE: 1/2" = 1'-0"



2 SECTION
 832 SCALE: 1/2" = 1'-0"



3 SECTION
 832 SCALE: 1/2" = 1'-0"

Order Plans @

THE DESIGN PROFESSIONAL SHALL BE RESPONSIBLE AND LIABLE FOR THE DESIGN AND ALL RESPONSIBILITY AND LIABILITY FOR PROBLEMS WHICH ARISE FROM FAILURE TO FOLLOW THESE PLANS, SPECIFICATIONS AND THE DESIGN INTENT THEY CONVEY, OR PROBLEMS WHICH ARISE FROM OTHERS FAILURE TO OBTAIN AND/OR FOLLOW THE DESIGN PROFESSIONAL'S GUIDANCE WITH RESPECT TO ANY ERRORS, OMISSIONS, NONCONFORMANCE, AMBIGUITIES OR CONFLICTS WHICH ARE ALLOTTED.

COPYRIGHT 2017 MABI, INC. 2017
 DIMITRIOS MELANDINOS, P.E.
 60182

A NEW DEVELOPMENT FOR:
WEST PALM BEACH RETAIL BUILDING
 1560 PALM BEACH LAKES BLVD.
 WEST PALM BEACH, FL 33401

THIS DRAWING HAS BEEN ISSUED:
 FOR REVIEW ONLY
 FOR PERMITTING ONLY
 SCHEMATIC DESIGN
 DESIGN DEVELOPMENT
 CONSTRUCTION DOCUMENTS

Drawing Title:
 WALL SECTIONS

Date: 05/24/17

Designed By: JM
 Drawn By: JM
 Reviewed By: JM

Comm. No. 17-117

Revisions: