

Order Plans @

WWW.DILine.com

MBI
 michael brady inc.
 ARCHITECTS
 105 CONSUMERS CENTER PARKWAY
 SUITE 200
 LAKE MARY, FLORIDA 32746
 PHONE: 407.596.0300
 FAX: 407.596.0306
 www.michaelbradyinc.com

THE DESIGN PROFESSIONAL DENIES ANY AND ALL RESPONSIBILITY AND LIABILITY FOR PROBLEMS WHICH ARISE FROM FAILURE TO FOLLOW THESE PLANS, SPECIFICATIONS AND THE DESIGN INTENT THEY CONVEY, OR PROBLEMS WHICH ARISE FROM OTHERS FAILURE TO OBTAIN AND/OR FOLLOW THE DESIGN PROFESSIONAL'S GUIDANCE WITH RESPECT TO ANY ERRORS, OMISSIONS, INCONSISTENCIES, AMBIGUITIES OR CONFLICTS WHICH ARE ALLEGED.

SCOTT D. MALENOCK
 ARCHITECT
 104990

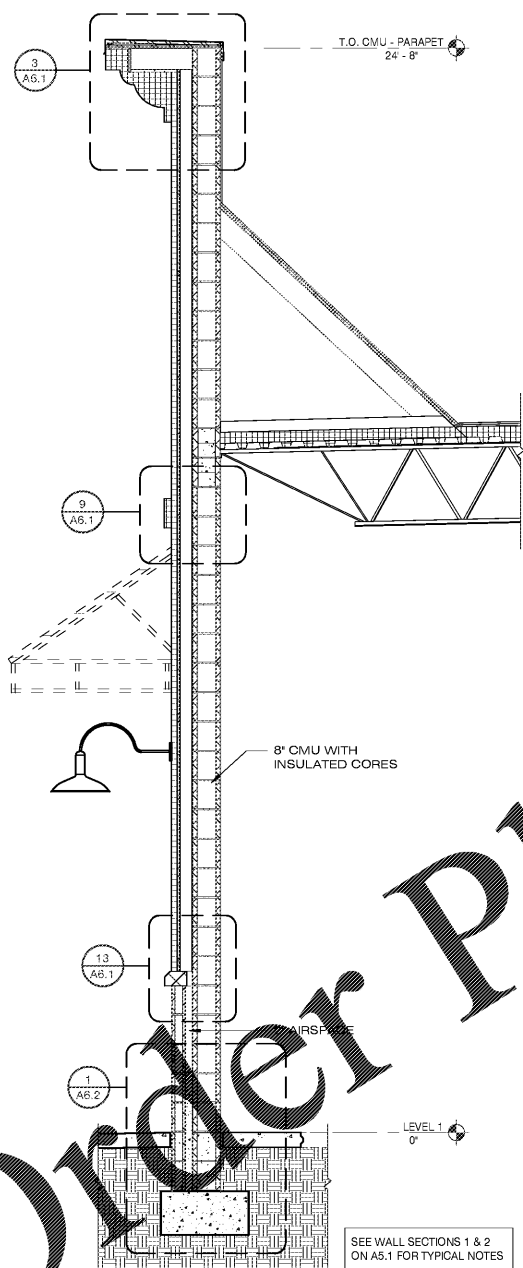
A NEW DEVELOPMENT FOR:
**WEST PALM BEACH
 RETAIL BUILDING**
 1560 PALM BEACH LAKES BLVD
 WEST PALM BEACH, FL 33401

THIS DRAWING HAS BEEN ISSUED:
 FOR REVIEW ONLY
 FOR PERMITTING ONLY
 SCHEMATIC DESIGN
 DESIGN DEVELOPMENT
 CONSTRUCTION DOCUMENTS

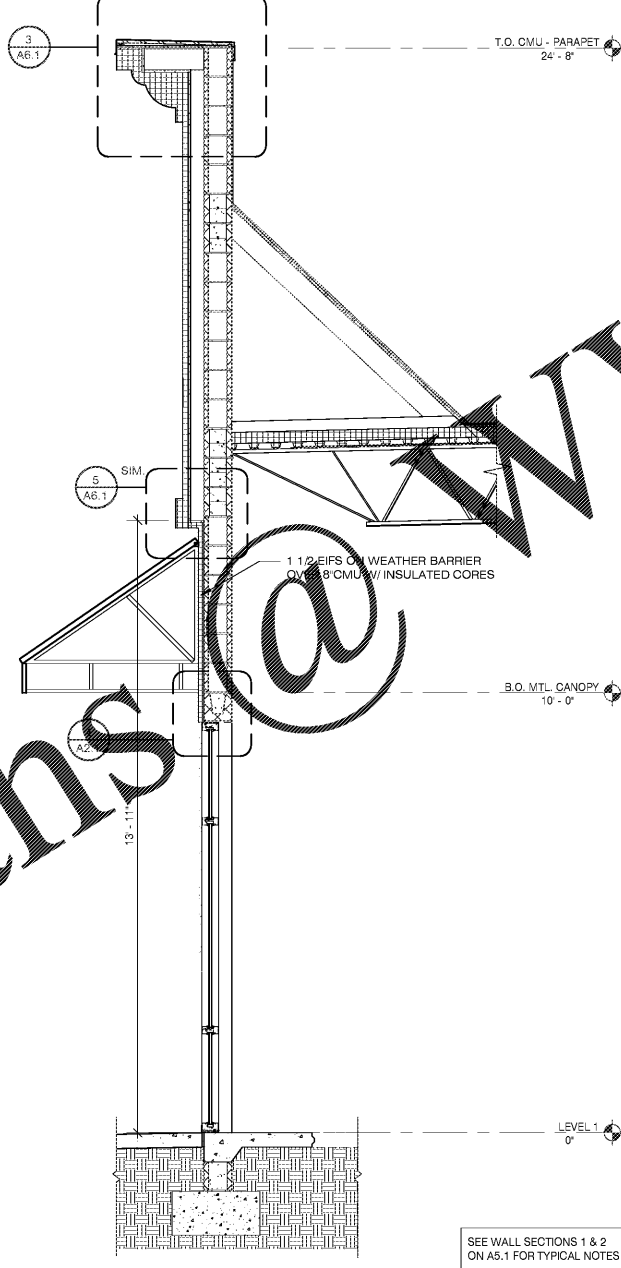
Drawing Title:
 WALL SECTIONS

Date: 05/24/17
 Designed By: A.L.S.
 Drawn By: A.L.S.
 Reviewed By: S.D.M.
 Comm. No. 170217
 Revisions:

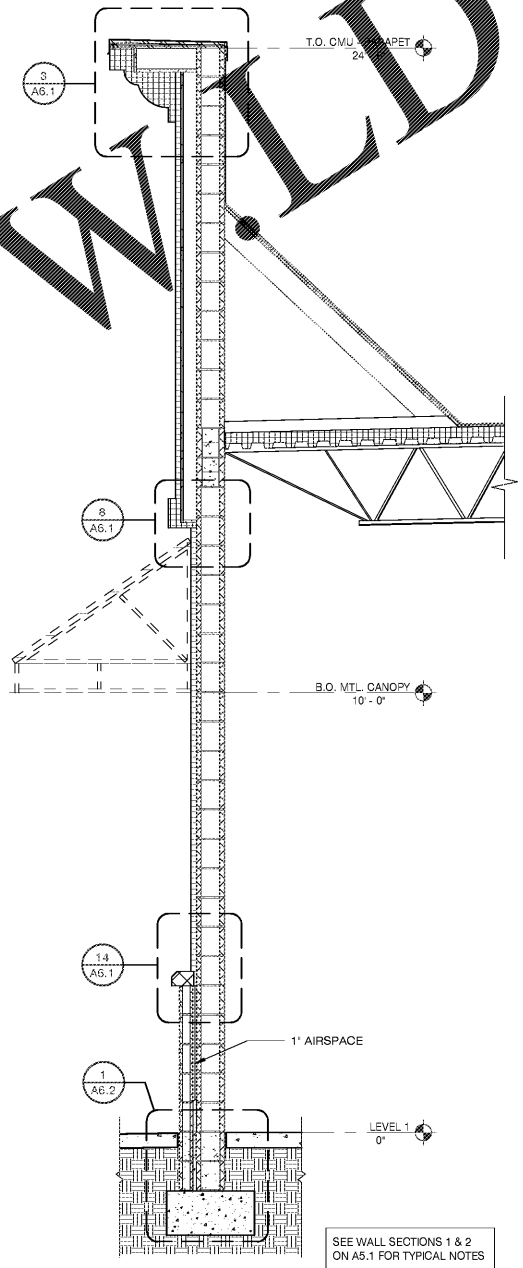
Sheet:
 of **A5.2**



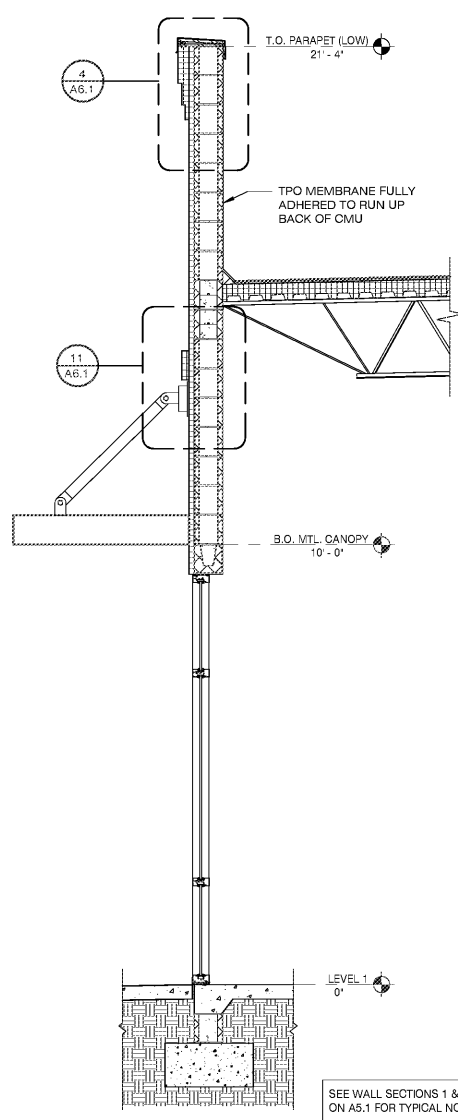
WALL SECTION 1
 SCALE: 1/2" = 1'-0"



WALL SECTION 2
 SCALE: 1/2" = 1'-0"



WALL SECTION 3
 SCALE: 1/2" = 1'-0"



WALL SECTION 4
 SCALE: 1/2" = 1'-0"

SEE WALL SECTIONS 1 & 2 ON A5.1 FOR TYPICAL NOTES

SEE WALL SECTIONS 1 & 2 ON A5.1 FOR TYPICAL NOTES

SEE WALL SECTIONS 1 & 2 ON A5.1 FOR TYPICAL NOTES

SEE WALL SECTIONS 1 & 2 ON A5.1 FOR TYPICAL NOTES