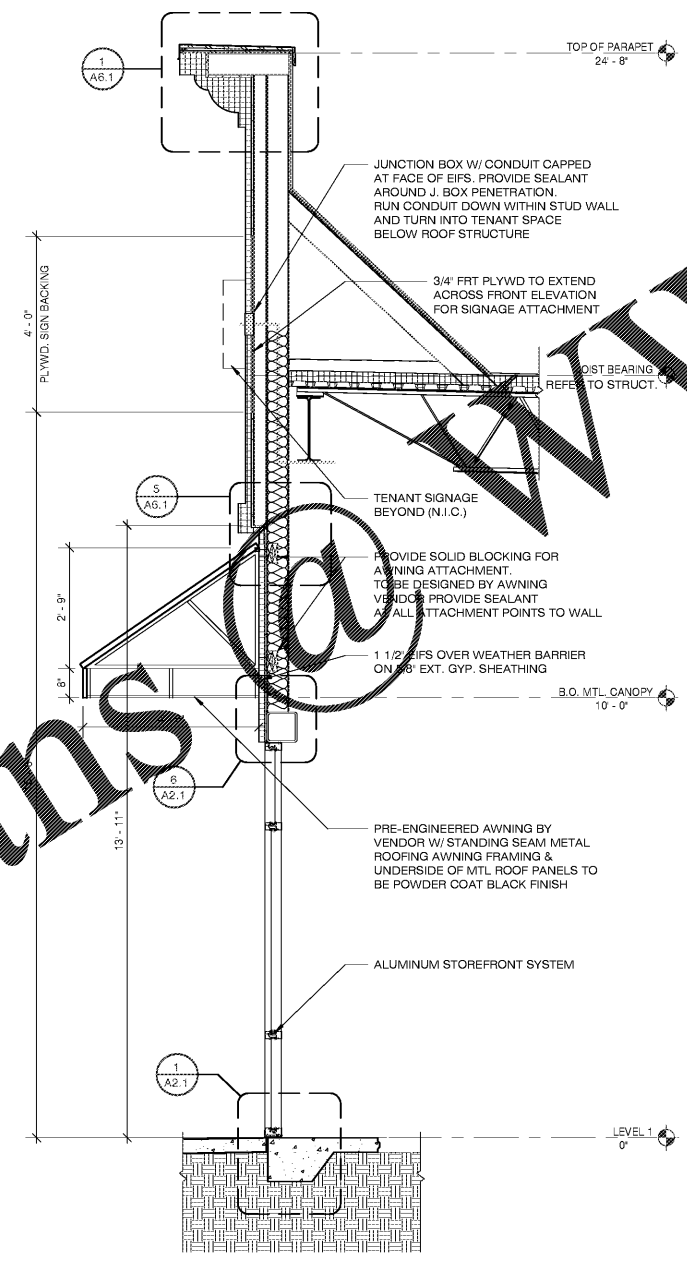
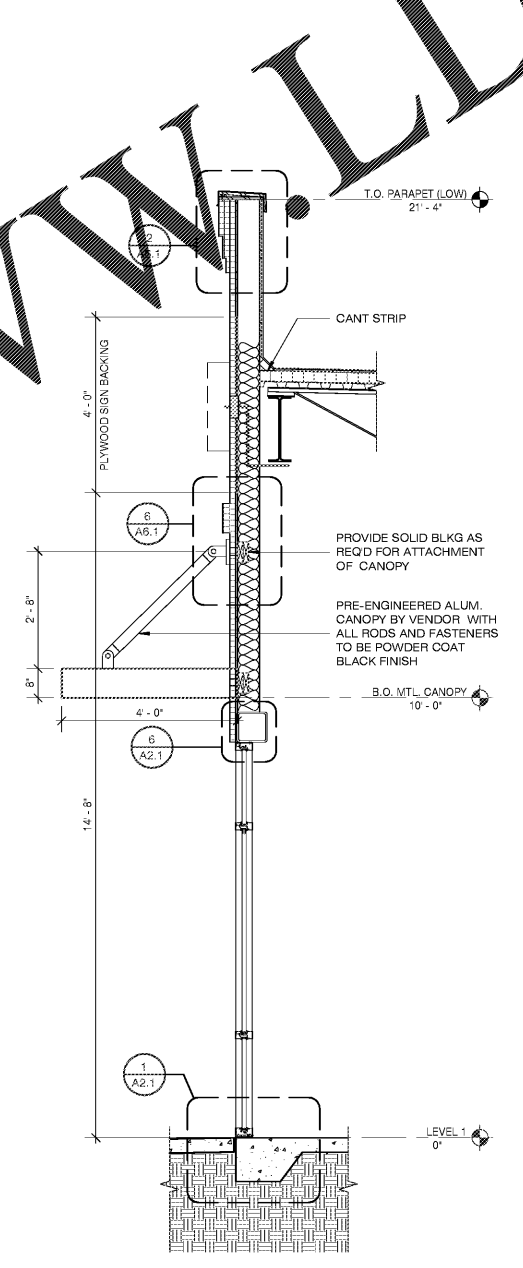


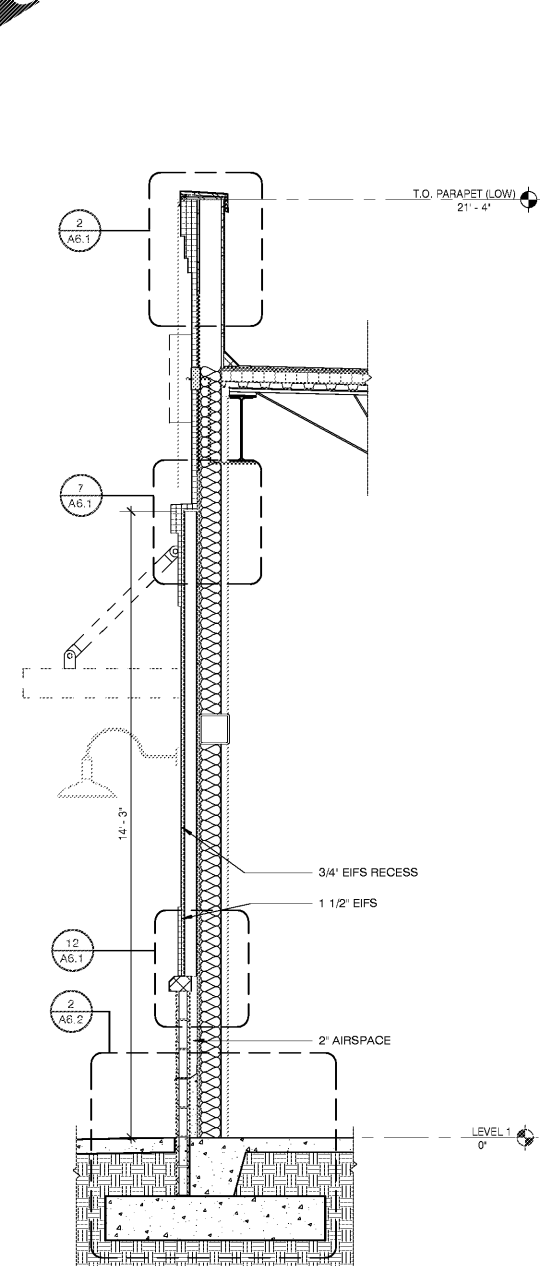
WALL SECTION 1  
 SCALE: 1/2" = 1'-0"  
 TYPICAL NOTES



WALL SECTION 2  
 SCALE: 1/2" = 1'-0"  
 TYPICAL NOTES



WALL SECTION 3  
 SCALE: 1/2" = 1'-0"  
 TYPICAL NOTES  
 SEE WALL SECTIONS 1 & 2 ON A5.1 FOR TYPICAL NOTES



WALL SECTION 4  
 SCALE: 1/2" = 1'-0"  
 TYPICAL NOTES  
 SEE WALL SECTIONS 1 & 2 ON A5.1 FOR TYPICAL NOTES

1560 PALM BEACH CENTER PARKWAY  
 SUITE 200  
 LAKE MARY, FLORIDA 32746  
 PHONE: 407.596.0300  
 FAX: 407.596.0306  
 www.michaelbradyinc.com

**MBI**  
 michaelbrady inc.  
 #FCHLECTFB-INTS01018  
 #CS0000028

THE DESIGN PROFESSIONAL DENIES ANY AND ALL RESPONSIBILITY AND LIABILITY FOR PROBLEMS WHICH ARISE FROM FAILURE TO FOLLOW THESE PLANS, SPECIFICATIONS AND THE DESIGN INTENT THEY CONVEY, OR PROBLEMS WHICH ARISE FROM OTHERS FAILURE TO OBTAIN AND/OR FOLLOW THE DESIGN PROFESSIONAL'S GUIDANCE WITH RESPECT TO ANY ERRORS, OMISSIONS, INCONSISTENCIES, AMBIGUITIES OR CONFLICTS WHICH ARE ALLEGED.

COPYRIGHT © MICHAEL BRADY INC. 2017  
 SCOTT D. MALENCHOK  
 AR2510 104990

A NEW DEVELOPMENT FOR:  
**WEST PALM BEACH  
 RETAIL BUILDING**  
 1560 PALM BEACH LAKES BLVD  
 WEST PALM BEACH, FL 33401

THIS DRAWING HAS BEEN ISSUED:  
 FOR REVIEW ONLY  
 FOR PERMITTING ONLY  
 SCHEMATIC DESIGN  
 DESIGN DEVELOPMENT  
 CONSTRUCTION DOCUMENTS

Drawing Title:  
 WALL SECTIONS

Date: 05/24/17  
 Designed By: A.L.S.  
 Drawn By: A.L.S.  
 Reviewed By: S.D.M.  
 Comm. No. 170217  
 Revisions:

Sheet:  
 of No. **A5.1**