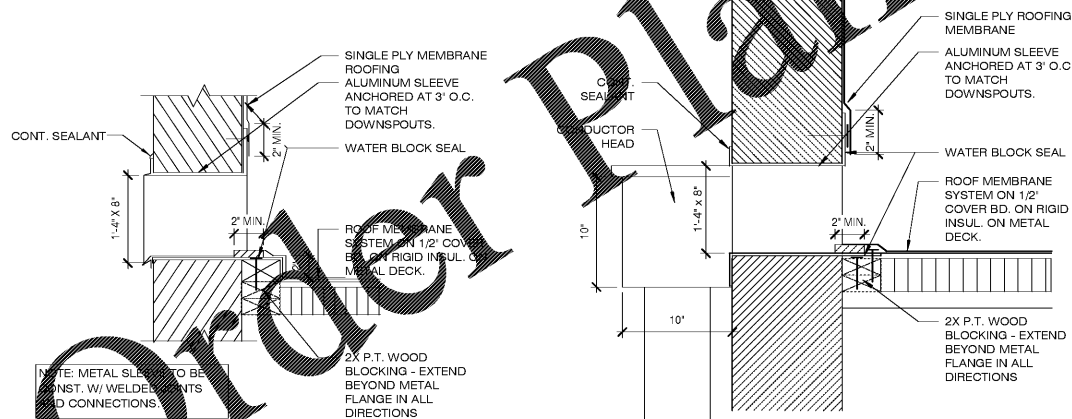


ROOF PLAN

SCALE: 1/8" = 1'-0"

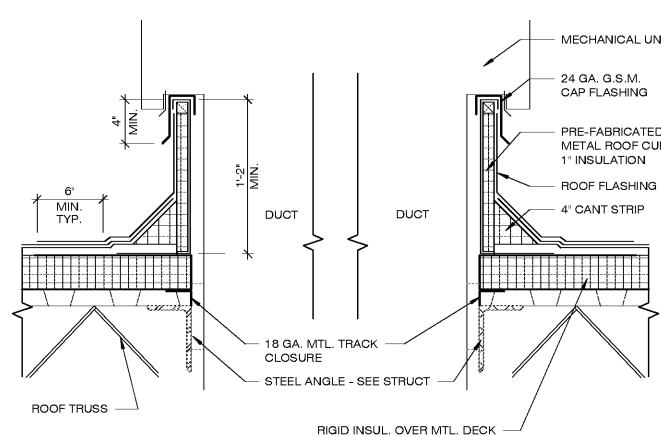


OVERFLOW SCUPPER DETAIL

SCALE: 1 1/2" = 1'-0"

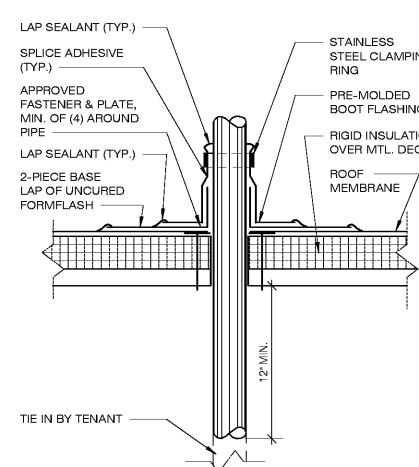
SCUPPER/LEADER DETAIL

SCALE: 1 1/2" = 1'-0"



ROOF DETAIL - TYP. MECH. CURB

SCALE: 1 1/2" = 1'-0"



VENT PIPE DETAIL

SCALE: 1 1/2" = 1'-0"

ROOF GENERAL NOTES

- CONTRACTOR SHALL FIELD VERIFY NUMBER, TYPE, AND LOCATIONS OF ALL UTILITIES AND EQUIPMENT, INCLUDING BUT NOT LIMITED TO SATELLITE DISHES, HVAC UNITS, FANS, VENT PIPES, ETC. THAT WILL AFFECT HIS SCOPE OF WORK. CONTRACTOR SHALL INCLUDE IN HIS BID ALL NECESSARY WORK TO COORDINATE THE INSTALLATION OF NEW WORK WITH EXISTING UTILITIES AND EQUIPMENT.
- THE CONTRACTOR SHALL AT ALL TIMES PROTECT ALL EXISTING INTERIOR SPACES EXPOSED DURING CONSTRUCTION AGAINST DAMAGE DUE TO WEATHER OR CONSTRUCTION.

ROOF DRAINAGE CALCULATIONS:

ASSUMED RAINFALL RATE = 5" PER HOUR
 VERTICAL CONDUCTORS PER TABLE 1106.2
 PROJECTED ROOF AREA = 16,074.05 SQ. FT.
 NUMBER OF CONDUCTORS SHOWN = 5
 MIN. SIZE CONDUCTOR REQUIRED PER TABLE 1106.2 (2) = 4" DIA.
 ACTUAL CONDUCTOR SIZE SHOWN = 5" X 5"
 DESIGN ROOF AREA TO BE DRAINED = 34,600 SQ. FT.

SCUPPER SIZING PER TABLE 1106.7
 NUMBER OF SCUPPERS SHOWN = 5
 HEAD = 4"
 MIN. SIZE REQUIRED = 4'X8"
 ACTUAL SCUPPER SIZE SHOWN = 8'X16"

SECONDARY ROOF DRAINS PER SECTION 1106.7
 PROJECTED ROOF AREA = 16,074.05
 NUMBER OF SCUPPERS SHOWN = 5
 SIZE OF SCUPPER = 8'X16"
 DESIGN ROOF AREA TO BE DRAINED = 35,895 SF

A NEW DEVELOPMENT FOR:

**WEST PALM BEACH
RETAIL BUILDING**

1560 PALM BEACH LAKES BLVD
WEST PALM BEACH, FL 33401

- THIS DRAWING HAS BEEN ISSUED:
- FOR REVIEW ONLY
 - FOR PERMITTING ONLY
 - SCHEMATIC DESIGN
 - DESIGN DEVELOPMENT
 - CONSTRUCTION DOCUMENTS

Drawing Title:
ROOF PLAN AND
DETAILS

Date: 05/24/17

Designed By: A.L.S.
 Drawn By: A.L.S.
 Reviewed By: S.D.M.

Comm. No. 170217

Revisions:

Sheet: Sheet
 of No.
A3.1

MBI
 michael brady inc.
 # FCH LECTURE - INTERIORS
 # A33000028

105 SOFIA, CENTER PARKWAY
 SUITE 200
 LAKE MARY, FLORIDA 32746
 PHONE: 407.596.0300
 FAX: 407.596.0306
 www.michaelbradyinc.com

THE DESIGN PROFESSIONAL DENIES
 ANY AND ALL RESPONSIBILITY AND
 LIABILITY FOR PROBLEMS WHICH
 ARISE FROM FAILURE TO FOLLOW
 THESE PLANS, SPECIFICATIONS AND
 THE DESIGN INTENT THEY CONVEY,
 OR PROBLEMS WHICH ARISE FROM
 OTHERS FAILURE TO OBTAIN AND/
 OR FOLLOW THE DESIGN
 PROFESSIONAL'S GUIDANCE WITH
 RESPECT TO ANY ERRORS,
 OMISSIONS, INCONSISTENCIES,
 AMBIGUITIES OR CONFLICTS WHICH
 ARE ALLEGED.

COPYRIGHT © MICHAEL BRADY INC. 2017

SCOTT D. MALENOCK
 APR25 10 10:49:00