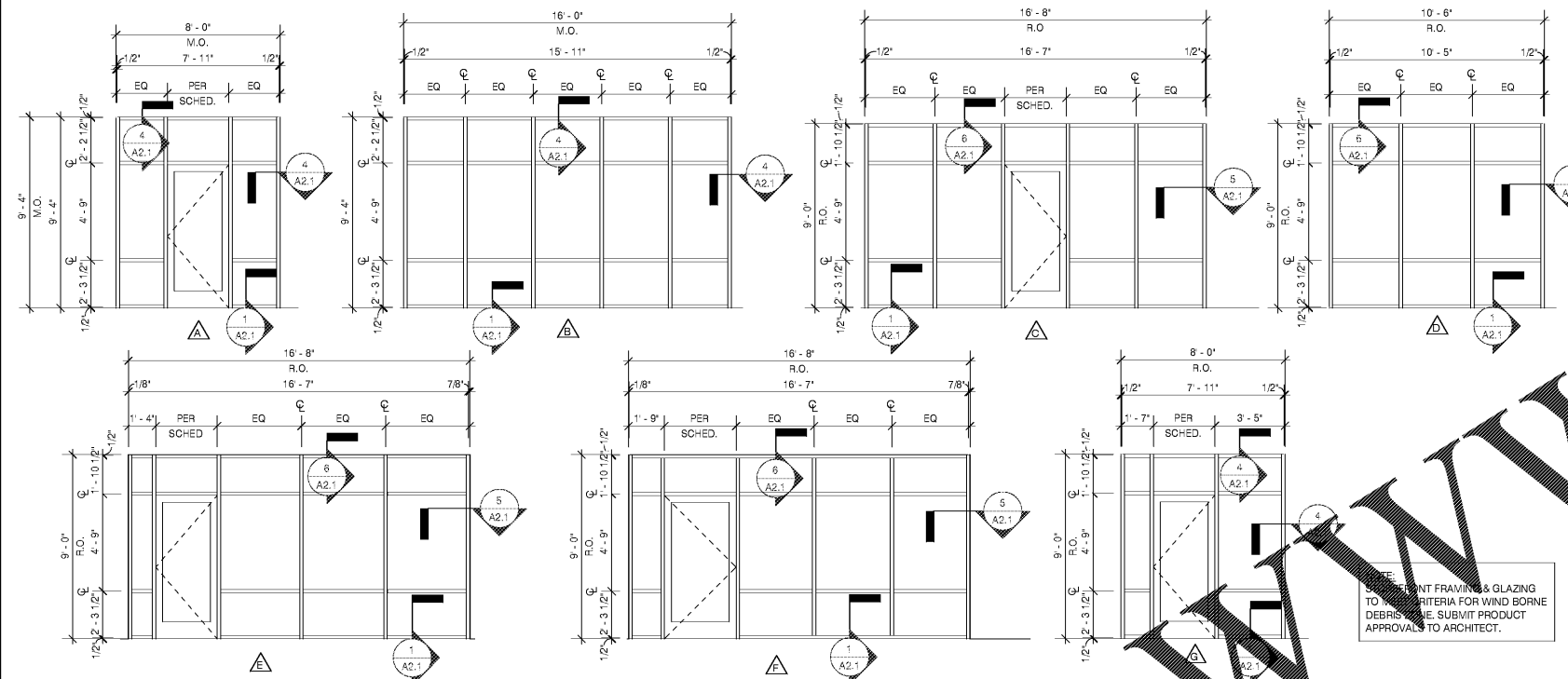
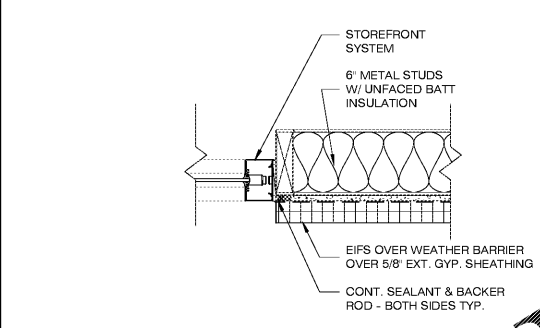


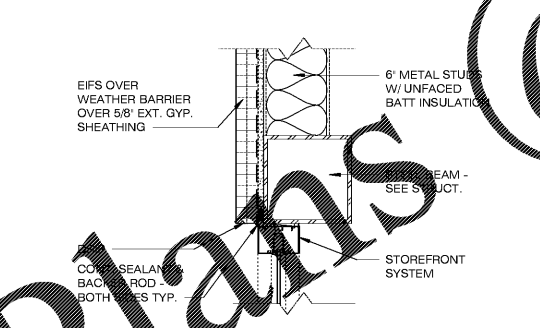
DOOR SCHEDULE															
NUMBER	D-TYPE	D-MATL	WIDTH	DOORS			THICK	FINISH	LABEL	F-TYPE	FRAMES		DETAILS		REMARKS
				PANELS	HEIGHT						F-MATL	F-FINISH	HEAD	JAMB	
101A	AL	ALUM	3'-0"	SINGLE	7'-0"	1 3/4"	BLACK ANODIZED			ALUM	BLACK ANODIZED	3/A2.1	3/A2.1	2/A2.1	1
101B	AL	ALUM	3'-0"	SINGLE	7'-0"	1 3/4"	BLACK ANODIZED			ALUM	BLACK ANODIZED	3/A2.1	3/A2.1	2/A2.1	1
101C	AL	ALUM	3'-0"	SINGLE	7'-0"	1 3/4"	BLACK ANODIZED			ALUM	BLACK ANODIZED	3/A2.1	3/A2.1	2/A2.1	1
101D	AL	ALUM	3'-0"	SINGLE	7'-0"	1 3/4"	BLACK ANODIZED			ALUM	BLACK ANODIZED	3/A2.1	3/A2.1	2/A2.1	1
101E	AL	ALUM	3'-0"	SINGLE	7'-0"	1 3/4"	BLACK ANODIZED			ALUM	BLACK ANODIZED	3/A2.1	3/A2.1	2/A2.1	1
101F	AL	ALUM	3'-0"	SINGLE	7'-0"	1 3/4"	BLACK ANODIZED			ALUM	BLACK ANODIZED	3/A2.1	3/A2.1	2/A2.1	1
101G	AL	ALUM	3'-0"	SINGLE	7'-0"	1 3/4"	BLACK ANODIZED			ALUM	BLACK ANODIZED	3/A2.1	3/A2.1	2/A2.1	1
101H	AL	ALUM	3'-0"	SINGLE	7'-0"	1 3/4"	BLACK ANODIZED			ALUM	BLACK ANODIZED	3/A2.1	3/A2.1	2/A2.1	1
101I	AL	ALUM	3'-0"	SINGLE	7'-0"	1 3/4"	BLACK ANODIZED			ALUM	BLACK ANODIZED	3/A2.1	3/A2.1	2/A2.1	1
101J	AL	ALUM	3'-0"	SINGLE	7'-0"	1 3/4"	BLACK ANODIZED			ALUM	BLACK ANODIZED	3/A2.1	3/A2.1	2/A2.1	1
101K	AL	ALUM	3'-0"	SINGLE	7'-0"	1 3/4"	BLACK ANODIZED			ALUM	BLACK ANODIZED	3/A2.1	3/A2.1	2/A2.1	1
101L	AL	ALUM	3'-0"	SINGLE	7'-0"	1 3/4"	BLACK ANODIZED			ALUM	BLACK ANODIZED	3/A2.1	3/A2.1	2/A2.1	1
101M	AL	ALUM	3'-0"	SINGLE	7'-0"	1 3/4"	BLACK ANODIZED			ALUM	BLACK ANODIZED	3/A2.1	3/A2.1	2/A2.1	1
101N	AL	ALUM	3'-0"	SINGLE	7'-0"	1 3/4"	BLACK ANODIZED			ALUM	BLACK ANODIZED	3/A2.1	3/A2.1	2/A2.1	1
101P	AL	ALUM	3'-0"	SINGLE	7'-0"	1 3/4"	BLACK ANODIZED			ALUM	BLACK ANODIZED	3/A2.1	3/A2.1	2/A2.1	1
101Q	AL	ALUM	3'-0"	SINGLE	7'-0"	1 3/4"	BLACK ANODIZED			ALUM	BLACK ANODIZED	3/A2.1	3/A2.1	2/A2.1	1
102A	AL	ALUM	3'-0"	SINGLE	7'-0"	1 3/4"	BLACK ANODIZED			ALUM	BLACK ANODIZED	3/A2.1	3/A2.1	2/A2.1	1
102B	AL	ALUM	3'-0"	SINGLE	7'-0"	1 3/4"	BLACK ANODIZED			ALUM	BLACK ANODIZED	3/A2.1	3/A2.1	2/A2.1	1
102C	AL	ALUM	3'-0"	SINGLE	7'-0"	1 3/4"	BLACK ANODIZED			ALUM	BLACK ANODIZED	3/A2.1	3/A2.1	2/A2.1	1
102D	AL	ALUM	3'-6"	SINGLE	7'-0"	1 3/4"	BLACK ANODIZED			ALUM	BLACK ANODIZED	3/A2.1	3/A2.1	2/A2.1	1



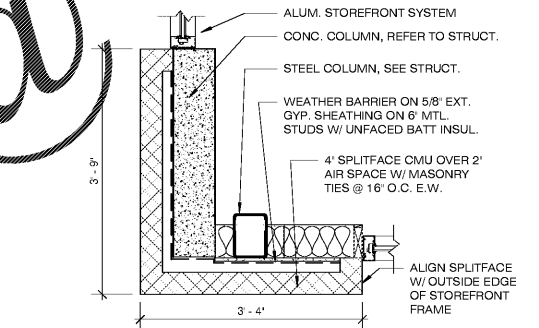
WINDOW TYPES
SCALE: 1/4" = 1'-0"



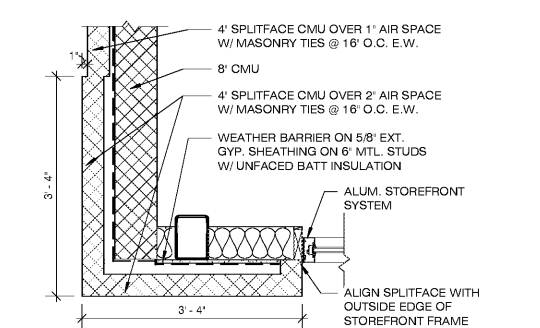
STOREFRONT JAMB DTL
SCALE: 1 1/2" = 1'-0"



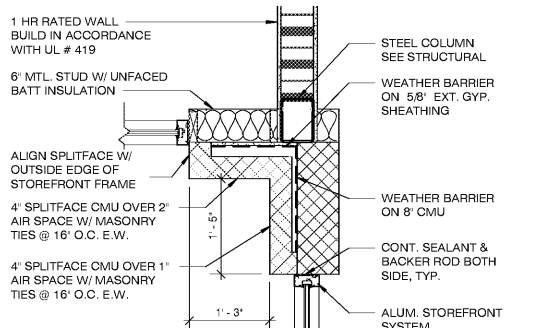
STOREFRONT HEAD
SCALE: 1 1/2" = 1'-0"



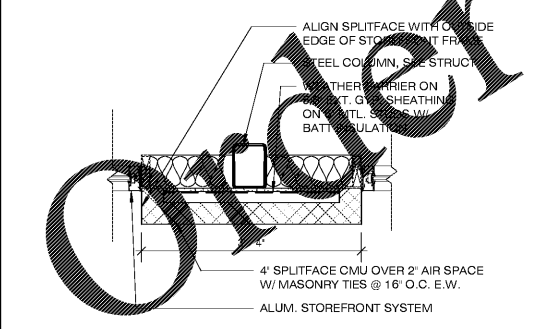
ENLARGED DETAIL
SCALE: 3/4" = 1'-0"



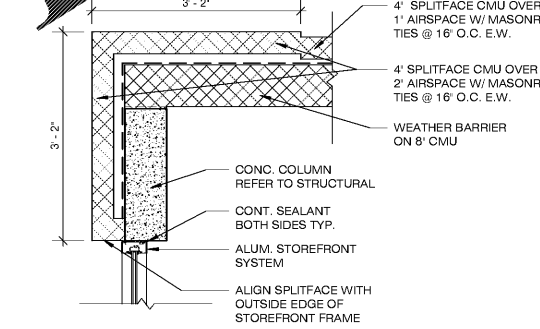
ENLARGED DETAIL
SCALE: 3/4" = 1'-0"



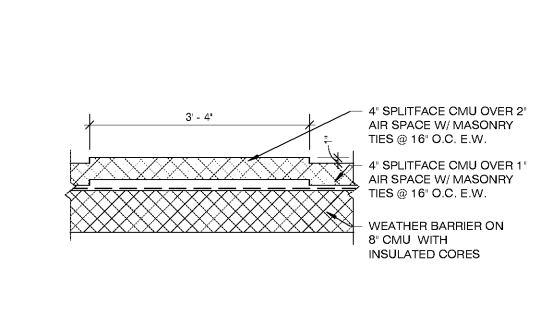
ENLARGED DETAIL
SCALE: 3/4" = 1'-0"



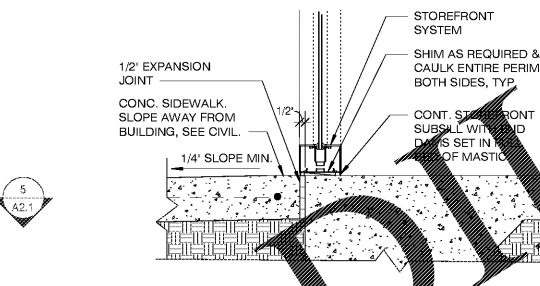
ENLARGED DETAIL
SCALE: 3/4" = 1'-0"



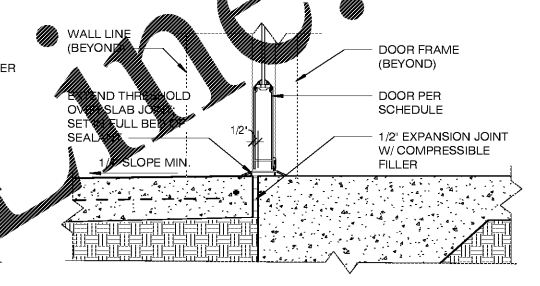
ENLARGED DETAIL
SCALE: 3/4" = 1'-0"



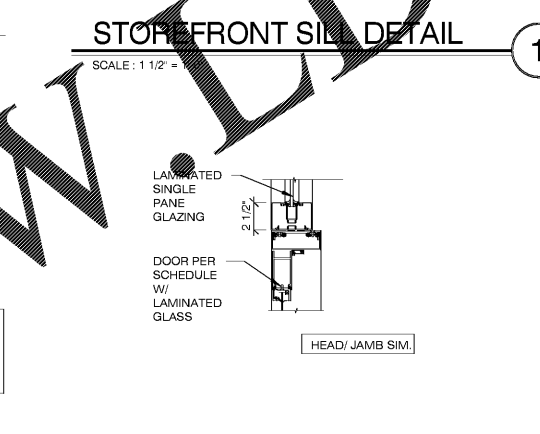
ENLARGED DETAIL
SCALE: 3/4" = 1'-0"



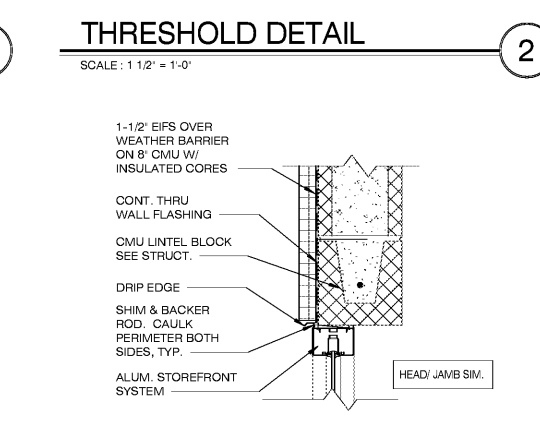
STOREFRONT SILL DETAIL
SCALE: 1 1/2" = 1'-0"



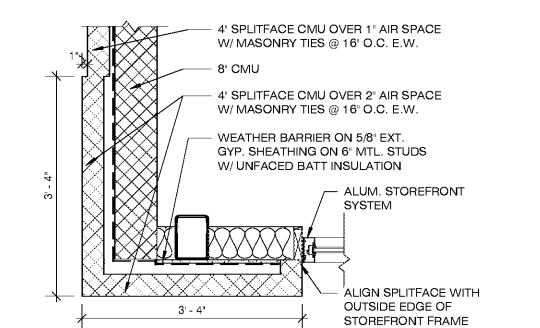
THRESHOLD DETAIL
SCALE: 1 1/2" = 1'-0"



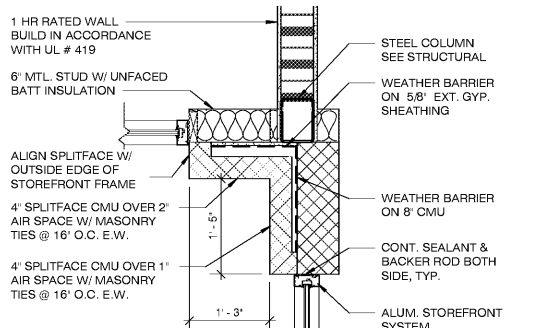
STOREFRONT HEAD DETAIL
SCALE: 1 1/2" = 1'-0"



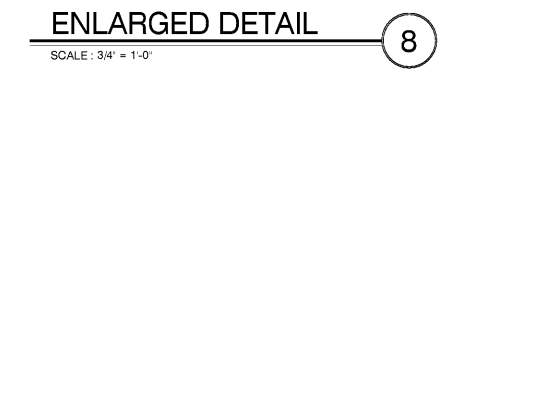
STOREFRONT HEAD DETAIL
SCALE: 1 1/2" = 1'-0"



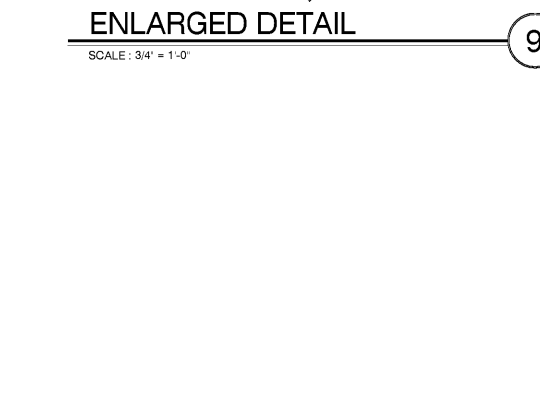
ENLARGED DETAIL
SCALE: 3/4" = 1'-0"



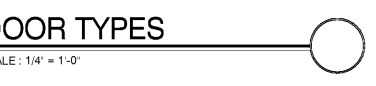
ENLARGED DETAIL
SCALE: 3/4" = 1'-0"



ENLARGED DETAIL
SCALE: 3/4" = 1'-0"



ENLARGED DETAIL
SCALE: 3/4" = 1'-0"



GENERAL DOOR & WINDOW NOTES

- PROVIDE SINGLE PANE LAMINATED GLAZING IN DOORS AND WINDOWS
- STOREFRONT WINDOW BASIS OF DESIGN IS SINGLE PANE.

HARDWARE SCHEDULE

HARDWARE SET #1 STOREFRONT ENTRANCE

HINGE	3	PIVOT HINGES, STAINLESS STEEL
LOCKSET	1	RIM CYLINDER, BEST 1 1/2"
CLOSER	1	PARALLEL ARM, DOOR WEIGHTED
MISC	1	PUSH/PULL SET, DOOR MFR. STD.

MBI
michael brady inc.
1550 PALM BEACH CENTER PARKWAY
SUITE 200
LAKE MARY, FLORIDA 32746
PHONE: 407.596.0300
FAX: 407.596.0305
www.michaelbradyinc.com

THE DESIGN PROFESSIONAL DENIES ANY AND ALL RESPONSIBILITY AND LIABILITY FOR PROGRAMS WHICH ARISE FROM FAILURE TO FOLLOW THESE PLANS, SPECIFICATIONS AND THE DESIGN INTENT THEY CONVEY, OR PROGRAMS WHICH ARISE FROM OTHERS FAILURE TO OBTAIN AND/OR FOLLOW THE DESIGN PROFESSIONALS GUIDANCE WITH RESPECT TO ANY ERRORS, OMISSIONS, INCONSISTENCIES, AMBIGUITIES OR CONFLICTS WHICH ARE ALLEGED.

© COPYRIGHT © MICHAEL BRADY INC. 2017
SCOTT D. MALBENOCK
APR25 10 104990

WEST PALM BEACH RETAIL BUILDING
1560 PALM BEACH LAKES BLVD
WEST PALM BEACH, FL 33401

A NEW DEVELOPMENT FOR:

THIS DRAWING HAS BEEN ISSUED:

- FOR REVIEW ONLY
- FOR PERMITTING ONLY
- SCHEMATIC DESIGN
- DESIGN DEVELOPMENT
- CONSTRUCTION DOCUMENTS

Drawing Title: DOOR SCHEDULE, DOOR/FRAME ELEVATIONS & DETAILS

Date: 05/24/17

Designed By: A.L.S.
Drawn By: A.L.S.
Reviewed By: S.D.M.

Comm. No. 170217

Revisions:

Sheet: of
Sheet No. **A2.1**