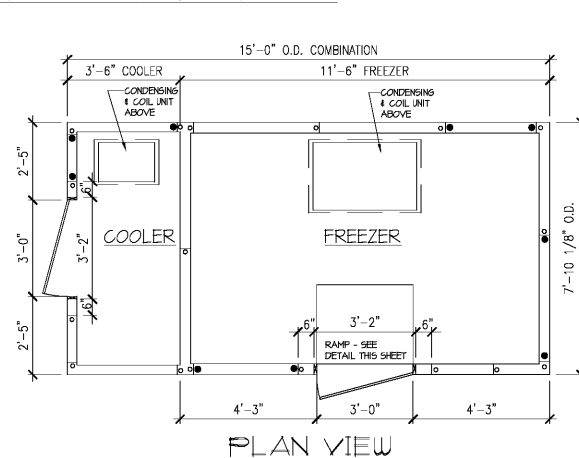
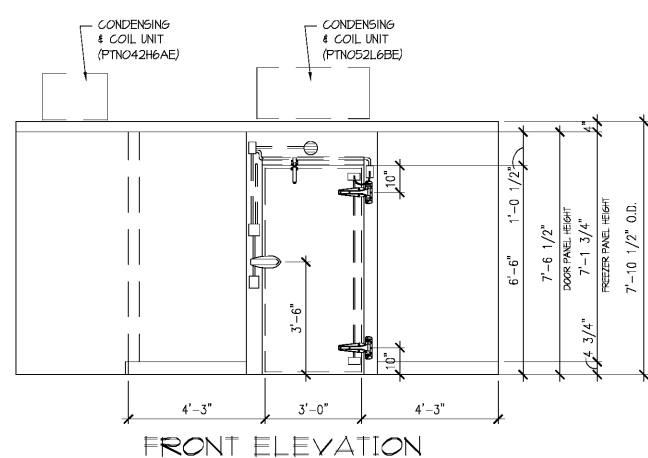


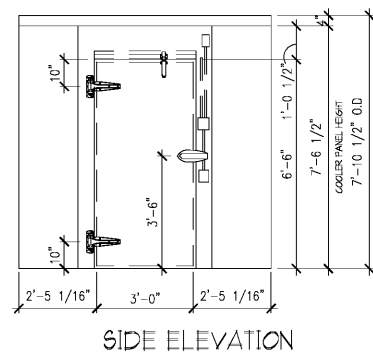
KPS GLOBAL PREFABRICATION  
WALK-IN FREEZER/COOLER UNIT



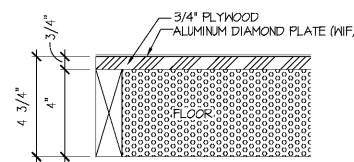
PLAN VIEW



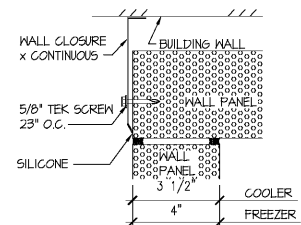
FRONT ELEVATION



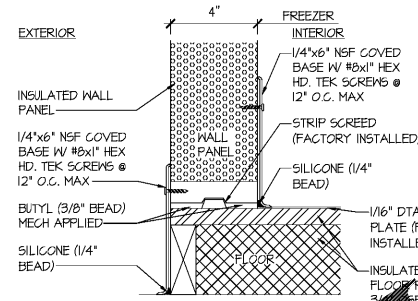
SIDE ELEVATION



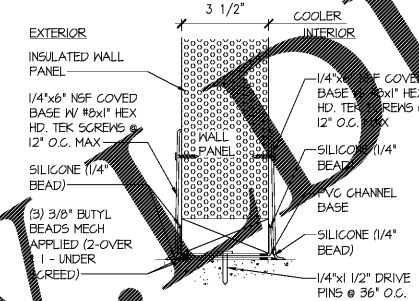
DETAIL 1  
WALK-IN FREEZER/COOLER



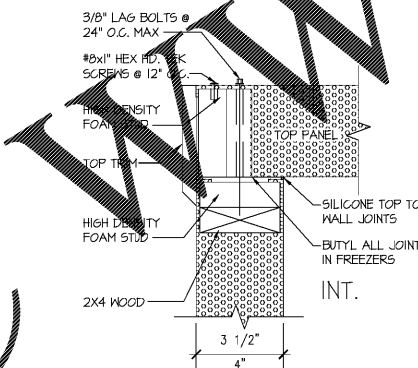
DETAIL 2  
WALK-IN FREEZER/COOLER



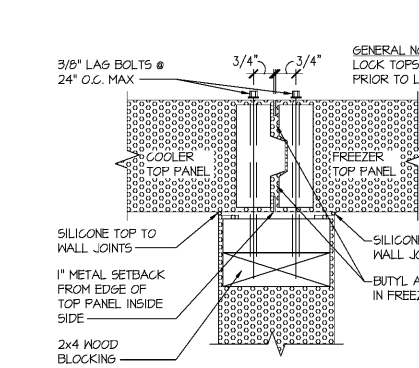
DETAIL 3  
WALK-IN FREEZER/COOLER



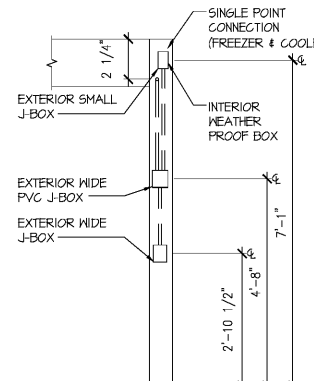
DETAIL 4  
WALK-IN FREEZER/COOLER



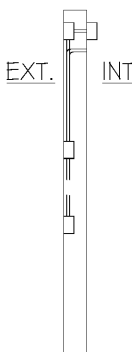
DETAIL 5  
WALK-IN  
FREEZER/COOLER



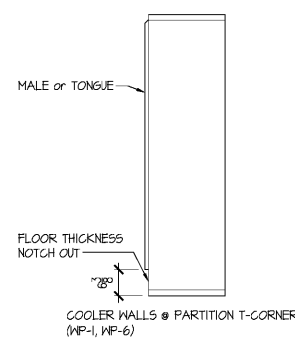
DETAIL 6  
WALK-IN  
FREEZER/COOLER



FRONT ELEVATION 1  
WALK-IN  
FREEZER/COOLER



SECTION 1  
WALK-IN  
FREEZER/COOLER



SECTION 2  
WALK-IN  
FREEZER/COOLER

**SPECIFICATIONS**

**CONSTRUCTION COOLER:**

WALLS: 3 1/2" FOAM-FRAME (T & G), POLYURETHANE F-I-P  
TOPS: 4" FOAM-FRAME (T & G), POLYURETHANE F-I-P

**FREEZER:**

WALLS: 4" FOAM-FRAME (T & G), POLYURETHANE F-I-P  
TOPS: 4" FOAM-FRAME (T & G), POLYURETHANE F-I-P  
FLOORS: 4" FOAM-FRAME (T & G), WITH ONE (1) LAYER OF 3/4" PLYWOOD INTERIOR FLOORS

**FINISH:**

266A STUCCO GALV. STEEL INTERIOR  
2625 ALUMINUM DIAMOND PLATE INTERIOR FLOOR COVERING  
266A STUCCO GALV. STEEL EXTERIOR FLOORING  
266A STUCCO GALV. STEEL EXTERIOR FLOORING

**ACCESSORIES:**

1 EA. - 36" X 78" HINGED, INFIT, 4" THICK, SELF-CLOSING FREEZER DOOR WITH HEATED FRAME, ADJUSTABLE HEATER SKEEP AND MAGNETIC GASKET (266A STUCCO GALV. STEEL INT., EXT., K-TT W4804 2-K1261, 1-K1094) #18 GA. GALV. JAMB (4") - NEW STYLE

1 EA. - 36" X 78" HINGED, INFIT, 4" THICK, SELF-CLOSING COOLER DOOR WITH MAGNETIC GASKET AND ADJUSTABLE SKEEP (266A STUCCO GALV. STEEL INT. & EXT., K-TT W4804, 2-K1261, AND 1-K1094) #18 GA. GALV. JAMB (3/2") - NEW STYLE

2 EA. - 36" X 78" PLASTIC CURTAINS

2 EA. - 18" LED LIGHT FIXTURE SUPPLIED BY ORIGIN RETAIL (MODEL #LD-TL-B040-RX-40F) (SHIP LOOSE)

3 EA. - WIDE J-BOX

4 EA. - SMALL 2X4 J-BOX

2 EA. - WIDE PVC J-BOX (FSC059240)

1 EA. - HEATED AIR VENT (#1830)

1 EA. - OPENING FOR PRO 3 UNIT (PTNO42H6AE)

1 EA. - OPENING FOR PRO 3 UNIT (PTNO52L6BE)

1 EA. - INTERIOR RAMP (24 1/2" DEEP WITH 1 3/4" EXTENDED FRONT EDGE, 125 ALUMINUM DIAMOND PLATE, 040 SMOOTH ALUMINUM)

2 EA. - PRE-WIRED WEISS ALARM W/4 1/2 METER PROBE

**NOTE:**

LAG DOWN TOP PANELS (PRE-DRILLED LAG HOLES)  
PVC SCREED - COOLER  
PRE-DRILLED HOLES ON FLOOR PLATING  
JL STICKER (FOAM FLOOR)  
2-WALL CLOSE OFFS

**GENERAL NOTES:**

- ALL WALK-INS ARE DESIGNED FOR INDOOR APPLICATION UNLESS NOTED OTHERWISE.
- PENETRATIONS AND SEALING OF PENETRATIONS - ARE THE RESPONSIBILITY OF OTHERS.
- PROVIDE 6" MINIMUM CLEARANCE AROUND WALK-IN WITH A MINIMUM AIR CIRCULATION OF 5 CFM FOR EVERY 100 SF OF PANEL SURFACE.
- PANEL LAYOUT MAY CHANGE BASED ON OPTIMAL MANUFACTURING STANDARDS.
- WALK-IN TOP IS NOT DESIGNED FOR STORAGE UNLESS NOTED OTHERWISE - TOPS ARE DESIGNED FOR 10 PSF UNIFORMLY DISTRIBUTED.
- QUARRY TILE OR CONCRETE FLOOR APPLICATIONS: METAL PANEL FACING MAY BE SUSCEPTIBLE TO STAINING DUE TO EXCESSIVE MOISTURE CREATED BY THE HYDRATION OF CONCRETE TYPE MATERIALS. IT IS ABSOLUTELY NECESSARY THAT EACH ROOM BE PROPERLY VENTILATED. SPECIAL PRECAUTIONS MUST ALSO BE TAKEN WHEN USING MURIATIC ACID DUE TO EFFECTS HYDROCHLORIC FUMES HAVE ON METAL MATERIALS.

- IF CONDENSING UNIT IS LOCATED IN THE INTERIOR OF BUILDING A MINIMUM OF 24" OF CLEARANCE IS REQUIRED AROUND TOP AND SIDES.
- FLOOR CURBS AND PIT DETAILS ARE FOR GENERAL REFERENCE ONLY. THESE DRAWINGS SHOULD NOT BE USED OR INCORPORATED IN THE DESIGN OR PREPARATION OF THE INSULATED FLOOR, SUB-SLAB OR CURBS, WITHOUT HAVING THE DESIGN REVIEWED BY A QUALIFIED ENGINEER. ALL FOOTINGS, FOUNDATION WALLS AND CONCRETE NEAR SLABS ARE THE RESPONSIBILITY OF THE BUILDING ENGINEER OR ARCHITECT.
- THE FOAM PLASTIC USED IN THIS PRODUCT COMPLIES TO THE IEC SECTION 2603 AS FOLLOWS: FLAME SPREAD RATING: 15, SMOKE DEVELOPED RATING: 350 REFER TO INSTALLATION INSTRUCTIONS FOR ASSURING UNIT IS INSTALLED LEVEL AND PLUMB, DOOR OPENING ARE SQUARED, AND FOR LOCK-DOWN TOPS/FLOORS PANEL ASSEMBLY DIRECTIONS.
- ANY UNITS RUNNING AT 32 DEG. AND BELOW REQUIRE BUTYL AT ALL JOINTS TOPS TO TOPS, WALLS TO WALLS, FLOORS TO FLOORS, WALLS TO FLOORS - AS PANELS ARE ASSEMBLED. BUTYL MUST NOT BE EXPOSED.

Guangzhou LEDIA Lighting Technology Co., Ltd.  
Tel: +86 (29) 87724025 E-mail: sales@ledia.com  
Factory address: No. 3 Xian Ke 1<sup>st</sup> Road, Huzhou Town, Hanchuan District, Guangzhou, China

**Specification**

**LED Vapor Tight Light**

Item No. LD-TL-B024  
LD-TL-B030  
LD-TL-B040  
LD-TL-B050  
LD-TL-B050

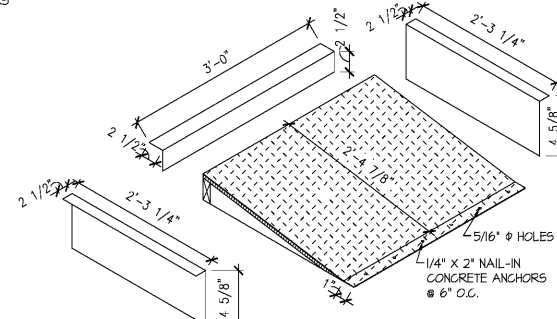
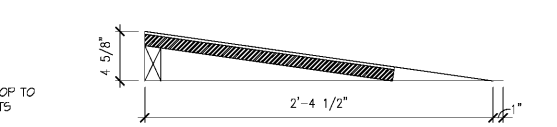
**NOTES:**

- This specification for our regular product specifications.
- The right of final interpretation of this specification to Guangzhou LEDIA Lighting Technology Co., Ltd.

Guangzhou LEDIA Lighting Technology Co., Ltd.  
Tel: +86 (29) 87724025 E-mail: sales@ledia.com  
Factory address: No. 3 Xian Ke 1<sup>st</sup> Road, Huzhou Town, Hanchuan District, Guangzhou, China

**Specification**

Item No.	Model	Power (W)	Beam Angle	Beam Diameter (mm)	Mounting
LD-TL-B024	LD-TL-B024	10	60°	100	Recessed
LD-TL-B030	LD-TL-B030	15	60°	150	Recessed
LD-TL-B040	LD-TL-B040	20	60°	200	Recessed
LD-TL-B050	LD-TL-B050	30	60°	300	Recessed



**RAMP SCHEDULE**

Q	INT. / EXT.	SIZE	FINISH	RAMP FINISH	DUE	REMARK
1	INT.	36" X 28 1/2" X 4 5/8" H.	050 SMOOTH ALUM.	125 ALUMINUM DIAMOND PLATE		1 - 2 X 4 ADD.

- GENERAL NOTES:**
- THE PROPOSED FREEZER/COOLER UNIT SIZE IS INDICATED ON FLOOR PLAN.
  - ALL WALK-IN & MERCHANDISING UNITS ARE SELF CONTAINED AND DO NOT REQUIRE A FLOOR DRAIN.
  - REFER TO SPECIFICATIONS
  - INSTALLATION OF THESE NSF, ETL & UL LISTED UNITS SHALL COMPLY WITH ALL STATE AND LOCAL CODES PER APPROVED PLANS.
  - MINIMUM DESIGN LOAD UNIFORMLY DISTRIBUTED: TOPS (PSF): 10 WALLS (PSF): 5 FLOORS (PSF): 1000

**Order Plans @**

FOR INFORMATION ONLY

REFRIGERATION SPECIFICATIONS

DS2

FOR REFERENCE ONLY