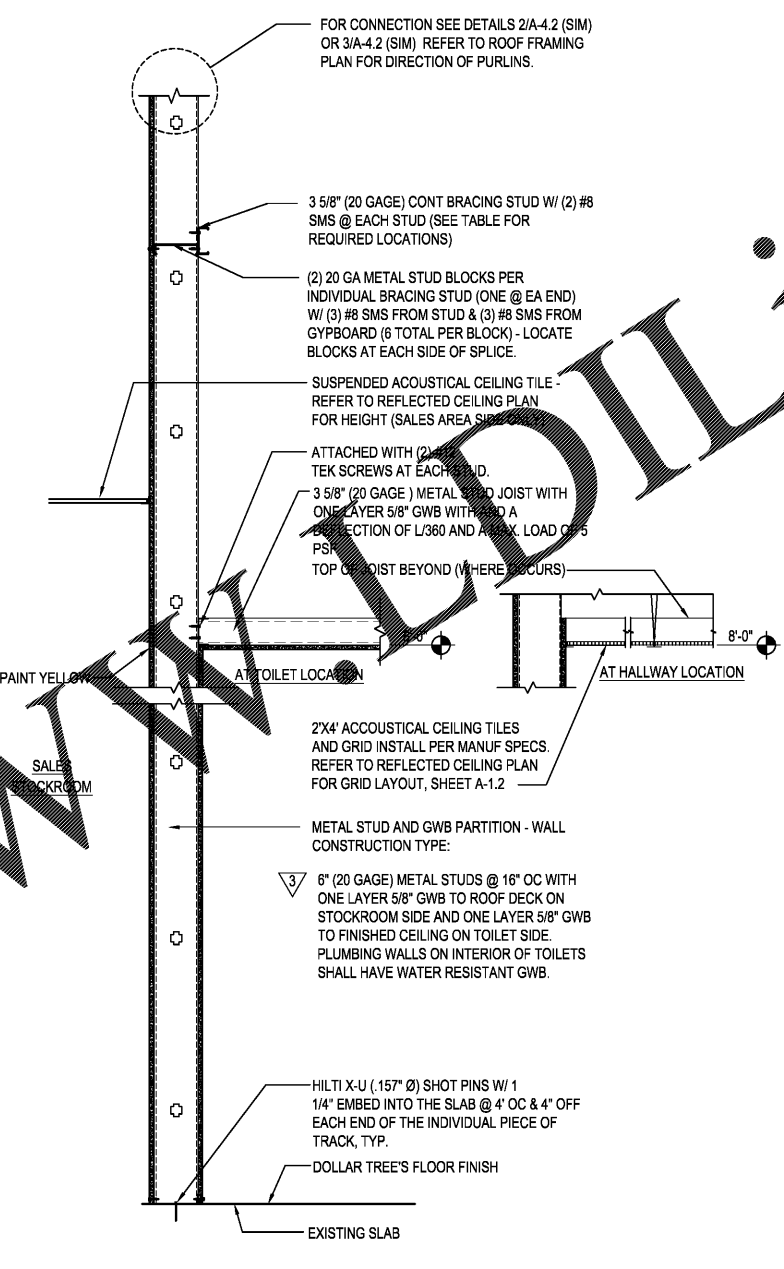


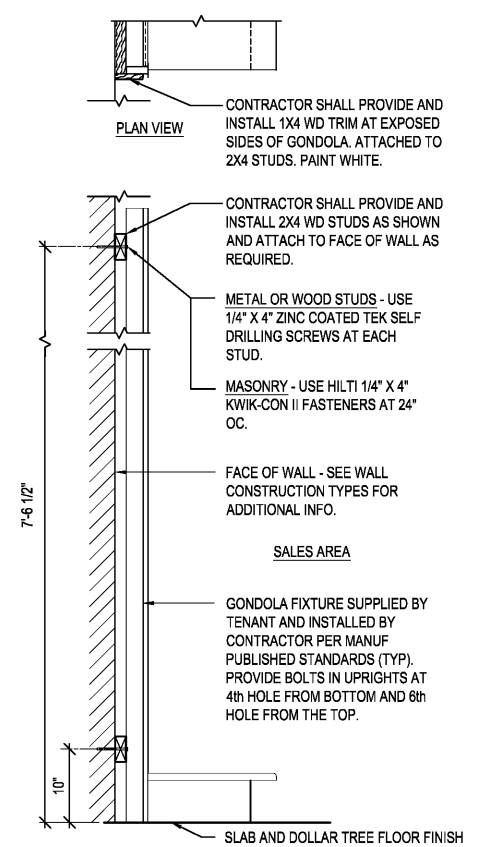
BRACING LOCATION SECTION
SCALE: NOT TO SCALE

STUD SPAN	STUD GAGE	BRACE SPACING	BRACING LOCATION SECTION
18'	20 (600S125-33)	NO BRACING REQUIRED	B
22'	20 (600S125-33)	5' OC (MAX)	C
24'-6"	20 (600S125-33)	3'-2" OC (MAX)	D
30'-0"	18 (600S125-43)	3'-7" OC (MAX)	E

STUDS MUST MEET MINIMUM SPECIFICATIONS FOR 600S125 FULL SIZE STUDS OF THE SPECIFIED GAGE.



4 WALL SECTION - CONSTRUCTION TYPE: 3
SCALE: 1" = 1'-0"



TYPICAL FIXTURE ATTACHMENT DETAIL
SCALE: 1" = 1'-0"

1 WALL SECTION - CONSTRUCTION TYPE: 2
SCALE: 1" = 1'-0"

Order Plans

	3801 SPRING HILL AVENUE MOBILE, ALABAMA 36608 (251) 344-7073 / FAX (251) 343-9179	REV. DATE 08/08/17 RWH LGS DRN CHK	DESCRIPTION DOCUMENT CONTROL			COLUMBUS, GA WALL SECTIONS
	PROJ. NO. 17138-73	DWG. NO. A-4.2	08-08-2017			